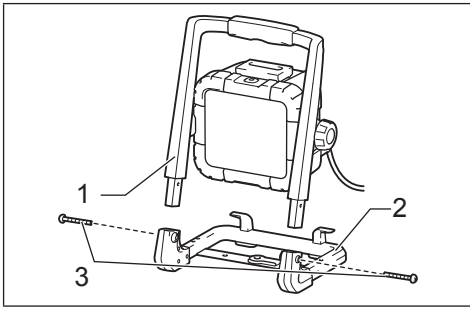
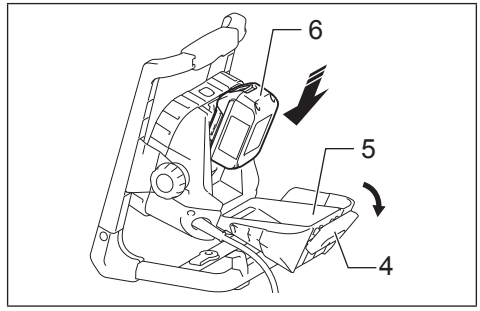


<b>GB</b>	<b>Corded and Cordless LED Worklight</b>	<b>Instruction Manual</b>
<b>F</b>	<b>Lampe De Chantier</b>	<b>Manuel d'instructions</b>
<b>D</b>	<b>LED-Baustrahler</b>	<b>Bedienungsanleitung</b>
<b>I</b>	<b>Lampada da lavoro LED con cavo e a batteria</b>	<b>Istruzioni per l'uso</b>
<b>NL</b>	<b>LED-werklamp met/zonder snoer</b>	<b>Gebruiksaanwijzing</b>
<b>E</b>	<b>Linterna LED AC/DC</b>	<b>Manual de instrucciones</b>
<b>P</b>	<b>Refletor Led a Bateria</b>	<b>Manual de instruções</b>
<b>DK</b>	<b>LED Arbejdslampe med og uden ledning</b>	<b>Brugsanvisning</b>
<b>GR</b>	<b>Φως εργασίας LED με και χωρίς ηλεκτρικό καλώδιο</b>	<b>Οδηγίες χρήσεως</b>
<b>S</b>	<b>Sladdlös och sladdansluten LED-arbetslampe</b>	<b>Bruksanvisning</b>
<b>N</b>	<b>LED-arbejdslampe med og uten ledning</b>	<b>Bruksanvisning</b>
<b>FIN</b>	<b>Langallinen ja langaton LED-työvalo</b>	<b>Käyttöohje</b>
<b>LV</b>	<b>Bezvada un ar vadu darbināms darba lukturis</b>	<b>Lietošanas rokasgrāmata</b>
<b>LT</b>	<b>Laidinis ir belaidis šviesos diodų darbinis žibintas</b>	<b>Naudojimo instrukcija</b>
<b>EE</b>	<b>Juhtmega ja juhtmevaba LED-töövalgusti</b>	<b>Kasutusjuhend</b>
<b>PL</b>	<b>Latarka LED AC/DC</b>	<b>Instrukcja obsługi</b>
<b>HU</b>	<b>Vezetékes és vezeték nélküli LED munkalámpa</b>	<b>Használati útmutató</b>
<b>SK</b>	<b>Pracovné LED svietidlo s napájacím káblom a bez napájacieho kábla</b>	<b>Návod na obsluhu</b>
<b>CZ</b>	<b>Kabelová a bezdrátová pracovní LED svítidla</b>	<b>Návod k použití</b>
<b>SI</b>	<b>Žična in brezžična delovna LED-svetilka</b>	<b>Navodila za uporabo</b>
<b>AL</b>	<b>Projektor ndriçimi me dhe pa kordon për punë</b>	<b>Manual udhëzimi</b>
<b>BG</b>	<b>Акумулаторна и захранвана от мрежата светодиодна лампа</b>	<b>Упътване за работа</b>
<b>HR</b>	<b>Žičana i bežična LED radna svjetiljka</b>	<b>Upute za korištenje</b>
<b>MK</b>	<b>Жична и безжична LED работна светилка</b>	<b>Упатство за работа</b>
<b>RO</b>	<b>Lampă de lucru cu leduri, cu acumulator și cablu de alimentare</b>	<b>Manual de instrucțiuni</b>
<b>RS</b>	<b>Комбиновани LED рефлектор (са или без кабла)</b>	<b>Упутство за употребу</b>
<b>RUS</b>	<b>Аккумуляторный LED Прожектор С Сетевым Адаптером</b>	<b>Инструкция по эксплуатации</b>
<b>UA</b>	<b>Світлодіодний світильник, що працює від батареї або мережі</b>	<b>Інструкція з експлуатації</b>

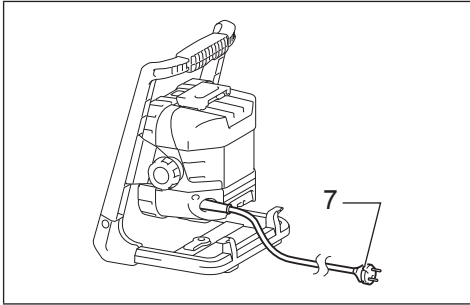




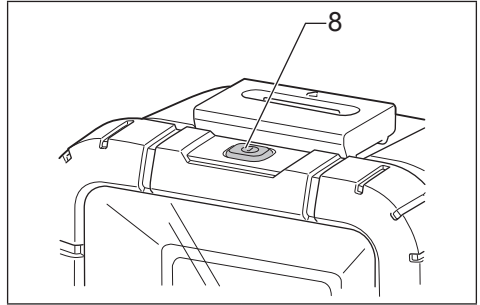
1



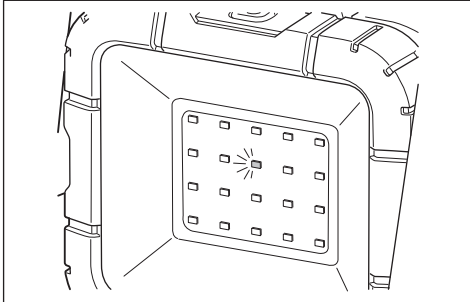
2



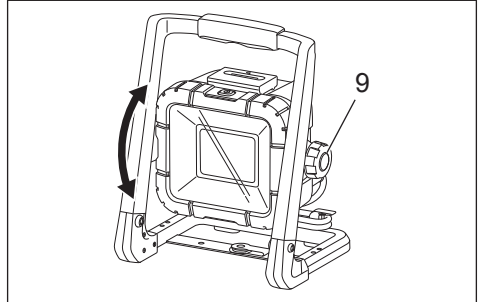
3



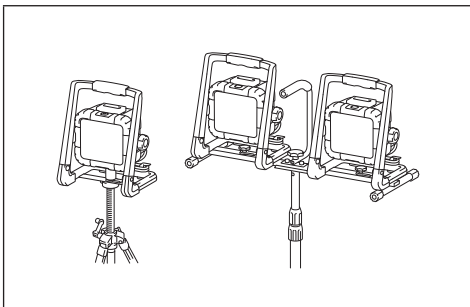
4



5



6



7

**Explanation of general view**

- |   |            |   |   |   |        |
|---|------------|---|---|---|--------|
| 1 | Frame      | 5 | Battery cover                                       | 8 | Switch |
| 2 | Base       | 6 | Battery cartridge                                   | 9 | Knob   |
| 3 | Screw      | 7 | Plug (the shape may differ from country to country) |   |        |
| 4 | Cover lock |   |   |   |        |

**SPECIFICATIONS**

Model	DML805			
LED	20 x 0.6 W			
Operating time* (with Battery BL1830)	(Approximately) High: 5 hours / Low: 10 hours			
Power source	220-240 V 50-60 Hz AC or 14.4 V / 18 V DC			
Standard battery cartridge	BL1415 / BL1415N	BL1430 / BL1440 / BL1450	BL1815 / BL1815N / BL1820	BL1830 / BL1840 / BL1850
Voltage (with battery operation)	14.4 V		18 V	
Dimensions (L x W x H)	214 mm x 261 mm x 328 mm			
Net weight	2.3 kg	2.5 kg	2.4 kg	2.6 kg
Pressure receiving area (Lens area)	0.0195 m <sup>2</sup>			

- Due to our continuing program of research and development, the specifications herein are subject to change without notice.
- Specifications and battery cartridge may differ from country to country.
- Weight, with battery cartridge, according to EPTA-Procedure 01/2003
- \* This value is only advisory. This may vary according to the condition and environment of the battery.

**Symbols**

The following show the symbols used for the equipment. Be sure that you understand their meaning before use.



- Read instruction manual.



- Indoor use only



- Only for EU countries  
Do not dispose of electric equipment or battery pack together with household waste material!

In observance of the European Directives, on Waste Electric and Electronic Equipment and Batteries and Accumulators and Waste Batteries and Accumulators and their implementation in accordance with national laws, electric equipment and batteries and battery pack(s) that have reached the end of their life must be collected separately and returned to an environmentally compatible recycling facility.



- DOUBLE INSULATION



- Optical Radiation (UV and IR).  
Minimize exposure to eyes or skin.



- Do not stare at operating lamp.



- Use appropriate shielding or eyes protection.



- The light source contained in this luminaire shall only replaced by authorized service center.



- Take particular care and attention!

**IMPORTANT SAFETY INSTRUCTIONS**

**⚠ WARNING:** When using luminaires, basic safety precautions should always be followed to reduce the risk of fire, electric shock, and personal injury, including the following:

**READ ALL INSTRUCTIONS.**

**⚠ CAUTION:**

1. When the luminaire is not in use, always switch off, and unplug / remove the battery cartridge from the luminaire.
2. Do not cover or clog the luminaire with cloth or carton, etc. Covering or clogging it may cause a flame.
3. Do not use the luminaire in damp or wet locations. Do not expose the luminaire to rain or snow. Do not wash it in water.
4. Do not use the luminaire in explosive atmospheres, such as in the presence of flammable liquids, gases or dust.
5. Luminaire plugs must match the outlet. Never modify the plug in any way. Do not use any adapter plugs with earthed (grounded) luminaires. Unmodified plugs and matching outlets will reduce risk of electric shock.

6. Avoid body contact with earthed or grounded surfaces such as pipes, radiators, ranges and refrigerators. There is an increased risk of electric shock if your body is earthed or grounded.
7. Do not abuse the cord. Never use the cord for carrying, pulling or unplugging the luminaire. Keep cord away from heat, oil, sharp edges or moving parts. Damaged or entangled cords increase the risk of electric shock.
8. If external flexible cable or cord of this luminaire is damaged, it shall be exclusively replaced by authorized service center in order to avoid a hazard.
9. Do not look in the LED light or see the source of light directly.

The lamp was classified at risk Group 1.

- a) The lamp or lamp system is in excess of the Exempt Group and that the viewer related risk is dependent upon how the users install and use the product;
- b) The most restrictive optical radiation hazard and other optical radiation hazards in excess of Exempt Group.
- c) Proper assembly, installation, maintenance and safe use, including clear warnings concerning precautions to avoid possible exposure to hazardous optical radiation.
- d) Advice on safe operation procedures and warnings concerning reasonably foreseeable malpractices, malfunctions and hazardous failure modes.
- e) NOTICE: UV and IR emitted from this product.
- f) WARNING: IR emitted from this product.
- g) CAUTION: Possibly hazardous optical radiation emitted from this product.
- h) Minimize exposure to eyes or skin. Use appropriate shielding.
- i) Use appropriate shielding or eye protection.
- j) Do not stare at operating lamp. May be harmful to the eyes.
- k) Eye or skin irritation may result from exposure. Avoid eye exposure.

#### **Battery luminaire use and care**

1. Recharge only with the charger specified by the manufacturer. A charger that is suitable for one type of battery cartridge may create a risk of fire when used with another battery cartridge.
2. Use luminaires only with specifically designated battery cartridges. Use of any other battery cartridges may create a risk of injury and fire.
3. When the battery cartridge is not in use, keep it away from other metal objects, like paper clips, coins, keys, nails, screws or other small metal objects that can make a connection from one terminal to another. Shorting the battery terminals together may cause burns or a fire.
4. Under abusive conditions, liquid may be ejected from the battery; avoid contact. If contact accidentally occurs, flush with water. If liquid contacts eyes, additionally seek medical help. Liquid ejected from the battery may cause irritation or burns.

#### **IMPORTANT SAFETY INSTRUCTIONS FOR BATTERY CARTRIDGE**

1. Before using battery cartridge, read all instructions and cautionary markings on (1) battery charger, (2) battery, and (3) product using battery.
2. Do not disassemble battery cartridge.
3. If operating time has become excessively shorter, stop operating immediately. It may result in a risk of overheating, possible burns and even an explosion.
4. If electrolyte gets into your eyes, rinse them out with clear water and seek medical attention right away. It may result in loss of your eyesight.
5. Do not short the battery cartridge:
  - (1) Do not touch the terminals with any conductive material.
  - (2) Avoid storing battery cartridge in a container with other metal objects such as nails, coins, etc.
  - (3) Do not expose battery cartridge to water or rain. A battery short can cause a large current flow, overheating, possible burns and even a breakdown.
6. Do not store the luminaire and battery cartridge in locations where the temperature may reach or exceed 50°C (122°F).
7. Do not incinerate the battery cartridge even if it is severely damaged or is completely worn out. The battery cartridge can explode in a fire.
8. Be careful not to drop or strike battery.
9. Do not use a damaged battery.
10. Follow your local regulations relating to disposal of battery.

#### **Tips for maintaining maximum battery life**

1. Charge the battery cartridge before completely discharged.  
Always stop luminaire operation and charge the battery cartridge when you notice less luminaire power.
2. Never recharge a fully charged battery cartridge. Overcharging shortens the battery service life.
3. Charge the battery cartridge with room temperature at 10°C - 40°C (50°F - 104°F). Let a hot battery cartridge cool down before charging it.
4. Charge the battery cartridge once in every six months if you do not use it for a long period of time.

#### **Save all warnings and instructions for future reference.**

## ASSEMBLY

### CAUTION:

- Always be sure that the luminaire is switched off, unplugged, and the battery cartridge is removed before carrying out any work on the luminaire.

### Assembling the frame and the base (Fig. 1)

Assemble the worklight as follows:

1. Remove the screws.
2. Insert the legs of the frame into the base.
3. Align the holes of the frame and the base.
4. Tighten them with screws.

## FUNCTIONAL DESCRIPTION

### CAUTION:

- Always be sure that the luminaire is switched off, unplugged, and the battery cartridge is removed before adjusting or checking function on the luminaire.

### Use with battery:

#### Installing or removing battery cartridge

### CAUTION:

- Always switch off the luminaire and unplug before installing or removing of the battery cartridge.
- **Hold the luminaire and the battery cartridge firmly when installing or removing battery cartridge.** Failure to hold the luminaire and the battery cartridge firmly may cause them to slip off your hands and result in damage to the luminaire and battery cartridge and a personal injury.

To install the battery cartridge, release the cover lock, and open the battery cover. And insert the battery cartridge. Align the tongue on the battery cartridge with the groove in the housing and slip it into place. Insert it all the way until it locks in place with a little click. Then close the battery cover. (Fig. 2)

To remove the battery cartridge, slide it from the luminaire while sliding the button on the front of the cartridge.

### CAUTION:

- Always install the battery cartridge fully in place. If not, it may accidentally fall out of the luminaire, causing injury to you or someone around you.
- Do not install the battery cartridge forcibly. If the cartridge does not slide in easily, it is not being inserted correctly.

### Use with AC power:

Connect the plug to a power supply. (Fig. 3)

#### Turning on LED light (Fig. 4)

Press the switch once, the light shines brightly (high mode). Press the switch again, the light shines mildly (low mode). To turn off the light, press the switch once again.

#### Battery protection system (Fig. 5)

The luminaire is equipped with a battery protection system to extend battery life.

When the battery becomes low, the LED lights go out except one LED (the one on the second line center). Then, after approximately five to ten minutes later, the system automatically cuts off power.

## OPERATION

### CAUTION:

- This worklight is intended for field work use. Do not use the worklight for household purpose.
- Always put the luminaire on flat and stable place. Otherwise a falling accident may occur.

#### Adjusting the angle of the worklight (Fig. 6)

Loosen the knobs on the both side. Adjust the angle of the worklight. Then tighten the knobs again.

#### Using with tripod or vise (optional accessories) (Fig. 7)

### CAUTION:

- Read carefully the instruction manuals of the accessories before using them with the worklight.
- When using with tripod or vise, do not let the total height exceed 1.75 m.

You can put the worklight on the tripod or vise to facilitate the operation.

## MAINTENANCE

### CAUTION:

- Always be sure that the luminaire is switched off, unplugged, and the battery cartridge is removed before attempting to perform inspection or maintenance.
- Never use gasoline, benzine, thinner, alcohol or the like. Discoloration, deformation or cracks may result.

Only maintenance work described in this instruction manual may be performed by the user. Any other work must be carried out by Makita authorized service centers.

#### Cleaning

From time to time wipe off the outside (luminaire body) of the luminaire using a cloth dampened in soapy water.

To maintain product SAFETY and RELIABILITY, repairs, any other maintenance or adjustment should be performed by Makita authorized service centers, always using Makita replacement parts.

## OPTIONAL ACCESSORIES

### CAUTION:

- These accessories or attachments are recommended for use with your Makita luminaire specified in this manual. The use of any other accessories or attachments might present a risk of injury to persons. Only use accessory or attachment for its stated purpose.

If you need any assistance for more details regarding these accessories, ask your local Makita service center.

- Makita genuine battery and charger
- Tripod
- Vise
- Anti-glare film

### NOTE:

- Some items in the list may be included in the luminaire package as standard accessories. They may differ from country to country.

**Descriptif**

1	Châssis	5	Couvercle du compartiment de la batterie	8	Interrupteur
2	Base			9	Molette
3	Vis	6	Batterie		
4	Dispositif de verrouillage du couvercle	7	Fiche (la forme peut varier d'un pays à l'autre)		

**SPÉCIFICATIONS**

Modèle	DML805			
DEL	20 x 0,6 W			
Autonomie* (avec batterie BL1830)	(environ) Forte intensité : 5 heures / Faible intensité : 10 heures			
Source d'alimentation	220-240 V CA 50-60 Hz ou 14,4 V / 18 V CC			
Batterie standard	BL1415 / BL1415N	BL1430 / BL1440 / BL1450	BL1815 / BL1815N / BL1820	BL1830 / BL1840 / BL1850
Tension (fonctionnement sur batterie)	14,4 V		18 V	
Dimensions (L x l x H)	214 mm x 261 mm x 328 mm			
Poids net	2,3 kg	2,5 kg	2,4 kg	2,6 kg
Surface réceptrice de pression (surface de la lentille)	0,0195 m <sup>2</sup>			

- Étant donné l'évolution constante de notre programme de recherche et développement, les spécifications contenues dans ce manuel sont sujettes à modification sans préavis.
- Les spécifications et la batterie peuvent varier d'un pays à l'autre.
- Poids, avec la batterie, conformément à la procédure EPTA-01/2003
- \* Cette valeur est donnée à titre indicatif. Elle peut varier selon l'état et l'environnement de la batterie.

**Symboles**

Les symboles suivants vous signalent des informations importantes relatives à l'équipement. Assurez-vous que vous comprenez leur signification avant utilisation.



- Veuillez lire le manuel d'instructions.



- Utilisation à l'intérieur uniquement.



- Pour l'UE uniquement  
Ne pas jeter les équipements électriques ou les batteries dans les ordures ménagères !

Conformément à la directive européenne relative aux déchets d'équipements électriques et électroniques (DEEE) et à la directive européenne relative aux piles et accumulateurs ainsi qu'aux déchets de piles et accumulateurs et à leur transposition dans la législation nationale, les équipements électriques, les piles et assemblages en batterie qui ont atteint la fin de leur durée de service doivent être collectés à part et être soumis à un recyclage respectueux de l'environnement.

- DOUBLE ISOLATION



- Rayonnements optiques (UV et IR). Réduisez au maximum l'exposition des yeux et de la peau.



- Ne regardez pas fixement la lampe en fonctionnement.



- Utilisez des écrans de protection ou une protection oculaire appropriés.



- La source lumineuse que contient cette lampe doit être remplacée exclusivement par un centre technique agréé.



- Soyez vigilant.

**IMPORTANTES CONSIGNES DE SÉCURITÉ**

**⚠ Avertissement** : Lorsque vous utilisez des lampes, respectez toujours les mesures de sécurité de base suivantes afin de réduire les risques d'incendie, de choc électrique et de blessure :

**LISEZ TOUTES LES INSTRUCTIONS.**

**⚠ Attention** :

1. Lorsque vous n'utilisez pas la lampe, mettez-la toujours hors tension et débranchez-la / retirez la batterie.
2. Ne couvrez pas et n'encombrez pas la lampe avec des chiffons ou du carton, sous peine de déclencher un incendie.
3. N'utilisez pas la lampe dans des endroits mouillés ou humides. N'exposez pas la lampe à la pluie ou à la neige. Ne le lavez pas dans l'eau.

4. N'utilisez pas la lampe dans des atmosphères explosives, par exemple en présence de liquides, gaz ou poussières inflammables.
5. Les fiches de la lampe doivent correspondre au type de prise de courant. Ne modifiez jamais la fiche, de quelque façon que ce soit. N'utilisez pas de fiche d'adaptation avec les lampes mises à la terre (masse). L'utilisation de fiches non modifiées et de prises du type correspondant réduit les risques de choc électrique.
6. Évitez tout contact du corps avec les surfaces mises à la terre ou à la masse, telles que tuyaux, radiateurs, cuisinières et réfrigérateurs. Les risques de choc électrique augmentent si votre corps se trouve mis à la terre ou à la masse.
7. Ne maltraitez pas le cordon. Ne transportez jamais la lampe par le cordon, et ne tirez pas sur le cordon pour déplacer la lampe ou débrancher la fiche. Gardez le cordon à l'écart des sources de chaleur, de l'huile, des bords tranchants et des pièces en mouvement. Les cordons endommagés ou emmêlés augmentent les risques de choc électrique.
8. Si le câble flexible externe ou le cordon de cette lampe est endommagé, il doit être remplacé exclusivement par un centre technique agréé afin d'éviter tout risque d'accident.
9. Ne regardez pas directement le faisceau lumineux à DEL ou sa source.

La lampe est classée dans le groupe de risque 1.

- a) La lampe ou le système de lampes n'appartiennent pas au groupe de risque 0 (exempt de risque), et le risque pour l'observateur dépend de la façon dont le produit est installé et utilisé ;
- b) Le risque le plus restrictif lié aux rayonnements optiques et les autres risques liés aux rayonnements optiques dépassant ceux présentés par le groupe de risque 0.
- c) Instructions appropriées de montage, d'installation, d'entretien et d'utilisation en toute sécurité, y compris des avertissements clairs concernant les précautions permettant d'éviter une exposition potentielle aux rayonnements optiques dangereux.
- d) Conseil de procédures d'utilisation en toute sécurité et avertissements concernant les négligences, dysfonctionnements et modes de défaillance dangereux raisonnablement prévisibles.
- e) REMARQUE : Ce produit émet des UV et des IR.
- f) AVERTISSEMENT : Ce produit émet des IR.
- g) ATTENTION : Ce produit est susceptible d'émettre des rayonnements optiques dangereux.
- h) Réduisez au maximum l'exposition des yeux et de la peau. Utilisez des écrans de protection appropriés.
- i) Utilisez des écrans de protection ou une protection oculaire appropriés.
- j) Ne regardez pas fixement la lampe en fonctionnement. Vous risquez de vous abîmer les yeux.
- k) L'exposition peut entraîner une irritation oculaire ou cutanée. Évitez toute exposition oculaire.

## Utilisation et entretien de la batterie

1. Ne rechargez la batterie qu'avec le chargeur spécifié par le fabricant. Un chargeur conçu pour un type de batterie donné peut présenter un risque d'incendie s'il est utilisé avec une batterie d'un autre type.
2. Utilisez les lampes uniquement avec les batteries spécifiquement désignées. L'utilisation de tout autre type de batterie peut présenter un risque de blessure ou d'incendie.
3. Lorsque la batterie n'est pas utilisée, gardez-la à l'écart de tout objet métallique (trombone, pièce de monnaie, clé, clou, vis, etc.) pouvant établir une connexion entre les bornes. Le court-circuitage des bornes de la batterie peut causer des brûlures ou entraîner un incendie.
4. Dans de mauvaises conditions, du liquide peut être éjecté de la batterie ; évitez tout contact avec ce liquide. En cas de contact accidentel, rincez la partie atteinte à l'eau. Si le liquide entre en contact avec les yeux, consultez un médecin. Le liquide éjecté de la batterie peut causer une irritation ou des brûlures.

## CONSIGNES DE SÉCURITÉ IMPORTANTES POUR LA BATTERIE

1. Avant d'utiliser la batterie, veuillez lire toutes les instructions et tous les avertissements inscrits sur (1) le chargeur de batterie, (2) la batterie et (3) le produit alimenté par la batterie.
2. Ne démontez pas la batterie.
3. Si l'autonomie de la batterie devient très courte, cessez immédiatement l'utilisation. Le non-respect de cette consigne peut entraîner une surchauffe, des brûlures, ou encore une explosion.
4. Si l'électrolyte pénètre dans vos yeux, rincez-les à l'eau claire et consultez immédiatement un médecin. Le non-respect de cette consigne peut entraîner une perte de la vision.
5. Ne court-circuitez pas la batterie :
  - (1) Ne touchez pas les bornes avec aucun matériau conducteur.
  - (2) Évitez de ranger la batterie dans un conteneur avec d'autres objets métalliques, par exemple des clous, des pièces de monnaie, etc.
  - (3) N'exposez pas la batterie à l'eau ou à la pluie. Un court-circuit de la batterie pourrait provoquer un important flux de courant, une surchauffe, parfois des brûlures et même une panne.
6. Ne rangez pas la lampe ou la batterie dans des endroits où la température risque d'atteindre ou de dépasser 50 °C.
7. Ne jetez pas la batterie au feu même si elle est sérieusement endommagée ou complètement épuisée. La batterie peut exploser au contact du feu.
8. Faites attention à ne pas laisser tomber la batterie et à ne pas la heurter.
9. N'utilisez pas une batterie abîmée.
10. Les batteries doivent être éliminées conformément aux réglementations locales en vigueur.

## Conseils pour assurer la durée de vie optimale de la batterie

1. Rechargez la batterie avant qu'elle ne soit complètement déchargée. Arrêtez toujours la lampe et rechargez la batterie quand vous remarquez que la puissance de la lampe diminue.

2. Ne rechargez jamais une batterie complètement chargée.  
La surcharge réduit la durée de vie de la batterie.
3. Chargez la batterie à température ambiante comprise entre 10 °C et 40 °C. Laissez refroidir une batterie chaude avant de la charger.
4. Chargez la batterie tous les six mois si elle reste inutilisée pendant une période prolongée.

**Conservez toutes les mises en garde et instructions pour référence ultérieure.**

## MONTAGE

### ATTENTION :

- Vérifiez toujours que la lampe est hors tension, débranchée, et que la batterie a été retirée avant d'effectuer tous travaux sur la lampe.

### **Assemblage du châssis et de la base (Fig. 1)**

Montez la lampe de chantier comme suit :

1. Retirez les vis.
2. Insérez les pieds du châssis dans la base.
3. Alignez les trous du châssis et ceux de la base.
4. Assemblez ces éléments avec les vis.

## DESCRIPTION DU FONCTIONNEMENT

### ATTENTION :

- Vérifiez toujours que la lampe est hors tension, débranchée, et que la batterie a été retirée avant d'ajuster la lampe ou de vérifier son fonctionnement.

### **Fonctionnement sur batterie :**

#### **Installation et retrait de la batterie**

### ATTENTION :

- Mettez toujours la lampe hors tension et débranchez-la avant d'installer ou de retirer la batterie.
- **Tenez fermement la lampe et la batterie lorsque vous installez ou retirez la batterie.** Si vous ne tenez pas fermement la lampe et la batterie, elles risquent de vous échapper des mains, ce qui peut endommager la lampe et la batterie et présente des risques de blessure.

Pour installer la batterie, libérez le dispositif de verrouillage du couvercle, et ouvrez le couvercle du compartiment de la batterie. Pour insérer la batterie, alignez la languette de la batterie sur la rainure à l'intérieur du logement, et faites-la glisser en place. Insérez-la à fond, jusqu'à ce qu'elle se verrouille en place avec un léger clic. Refermez ensuite le couvercle du compartiment de la batterie. (Fig. 2)

Pour retirer la batterie, faites-la glisser hors de la lampe tout en appuyant sur le bouton à l'avant de la batterie.

### ATTENTION :

- Insérez toujours la batterie à fond. Sinon, elle risque de tomber accidentellement de la lampe, et de vous blesser ou de blesser quelqu'un se trouvant à proximité.
- Ne forcez pas pour insérer la batterie. Si elle ne glisse pas facilement, c'est que vous ne l'insérez pas correctement.

### **Fonctionnement sur secteur :**

Raccordez la fiche à une source d'alimentation. (Fig. 3)

### **Mise en marche de la lampe à DEL (Fig. 4)**

Si vous appuyez une fois sur l'interrupteur, la lampe éclaire de manière intense (mode forte intensité). Si vous appuyez de nouveau sur l'interrupteur, la lampe éclaire modérément (mode faible intensité). Pour éteindre la lampe, appuyez de nouveau sur l'interrupteur.

### **Dispositif de protection de la batterie (Fig. 5)**

La lampe est équipée d'un dispositif de protection de la batterie pour prolonger la durée de service de celle-ci. Lorsque la charge restante de la batterie est faible, les DEL de lampe s'éteignent toutes sauf une (celle au centre de la seconde rangée). Ensuite, environ cinq à dix minutes plus tard, le dispositif coupe automatiquement l'alimentation.

## UTILISATION

### ATTENTION :

- Cette lampe de chantier est conçue pour une utilisation sur le terrain. Ne l'utilisez pas à des fins domestiques.
- Placez toujours la lampe sur une surface plane et stable. Le non-respect de cette consigne peut entraîner une chute accidentelle.

### **Réglage de l'angle de la lampe de chantier (Fig. 6)**

Desserrez les molettes des deux côtés. Réglez l'angle de la lampe de chantier. Resserrez ensuite les molettes.

### **Utilisation avec un trépied ou un dispositif de serrage (accessoires en option) (Fig. 7)**

### ATTENTION :

- Lisez attentivement les manuels d'instructions des accessoires avant de les utiliser avec la lampe de chantier.
- Lorsque vous utilisez un trépied ou un dispositif de serrage, la hauteur totale ne doit pas dépasser 1,75 m.

Vous pouvez installer la lampe de chantier sur le trépied ou le dispositif de serrage afin de faciliter son utilisation.

## ENTRETIEN

### ATTENTION :

- Vérifiez toujours que la lampe est hors tension, débranchée, et que la batterie a été retirée avant d'effectuer tous travaux d'inspection ou d'entretien.
- N'utilisez jamais d'essence, benzine, diluant, alcool ou autre produit similaire. Cela risquerait de provoquer la décoloration, la déformation ou la fissuration de l'outil.

Seuls les travaux d'entretien décrits dans le présent manuel d'instructions peuvent être réalisés par l'utilisateur. Tous les autres travaux doivent être effectués par un centre technique agréé Makita.

### **Nettoyage**

Nettoyez de temps en temps l'extérieur de la lampe (boîtier) avec un chiffon imbibé d'eau savonneuse.

Pour maintenir la SÉCURITÉ et la FIABILITÉ du produit, les réparations, travaux d'entretien et autres réglages doivent être effectués dans un centre technique agréé Makita, exclusivement avec des pièces de rechange Makita.



## ACCESSOIRES EN OPTION

### ATTENTION :

- Ces accessoires ou pièces sont recommandés pour l'utilisation avec la lampe Makita spécifiée dans ce mode d'emploi. L'utilisation de tout autre accessoire ou pièce peut comporter un risque de blessure. N'utilisez les accessoires ou pièces qu'aux fins auxquelles ils sont destinés.

Si vous désirez obtenir plus de détails concernant ces accessoires, veuillez contacter le centre technique Makita le plus proche.

- Batterie et chargeur Makita d'origine
- Trépied
- Dispositif de serrage
- Film antireflet

### NOTE :

- Il se peut que certains éléments de la liste soient fournis avec la lampe en tant qu'accessoires standard. Ils peuvent varier d'un pays à l'autre.

## Erläuterung der Gesamtansicht

- |                    |   |         |
|--------------------|---|---------|
| 1 Rahmen           | 5 Akkuabdeckung   | 8 Taste |
| 2 Fuß              | 6 Akku  | 9 Knopf |
| 3 Schraube         | 7 Stecker (die Form kann je nach Land unterschiedlich sein) |         |
| 4 Abdeckungssperre |   |         |

## TECHNISCHE DATEN

Modell	DML805			
LED	20 x 0,6 W			
Betriebszeit* (mit Akku BL1830)	(Ca.) Stark: 5 Stunden / Schwach: 10 Stunden			
Energiequelle	220 – 240 V, 50 – 60 Hz AC oder 14,4 V / 18 V DC			
Standard-Akku	BL1415 / BL1415N	BL1430 / BL1440 / BL1450	BL1815 / BL1815N / BL1820	BL1830 / BL1840 / BL1850
Spannung (bei Akku-Betrieb)	14,4 V		18 V	
Abmessungen (L x B x H)	214 mm x 261 mm x 328 mm			
Nettogewicht	2,3 kg	2,5 kg	2,4 kg	2,6 kg
Druckempfangsbereich (Linsbereich)	0,0195 m <sup>2</sup>			

- Aufgrund unseres Dauerprogramms der Forschung und Entwicklung unterliegen die hier angegebenen technischen Daten Änderung ohne Vorankündigung.
- Die technischen Daten und der Akku können von Land zu Land unterschiedlich sein.
- Gewicht mit Akku nach EPTA-Verfahren 01/2003
- \* Dieser Wert dient lediglich der Beratung. Der Wert kann je nach Zustand und Umgebung des Akkus schwanken.

### Symbole

Nachfolgend werden die für das Gerät verwendeten Symbole beschrieben. Machen Sie sich vor der Benutzung mit ihrer Bedeutung vertraut.



- Bedienungsanleitung lesen.



- Nur für Inneneinsatz



- Nur für EU-Länder  
Werfen Sie Elektrogeräte oder Akkus nicht in den Hausmüll!

Unter Einhaltung der Europäischen Richtlinie über Elektro- und Elektronik-Altgeräte, Batterien, Akkus sowie verbrauchte Batterien und Akkus und ihre Umsetzung gemäß den Landesgesetzen müssen Elektrogeräte und Batterien bzw. Akkus, die das Ende ihrer Lebensdauer erreicht haben, getrennt gesammelt und einer umweltgerechten Recycling-Einrichtung zugeführt werden.



- DOPPELTE ISOLIERUNG



- Optische Strahlung (UV und IR).  
Reduzieren Sie Bestrahlung von Augen oder Haut auf ein Minimum.



- Starren Sie nicht auf die leuchtende Lampe.



- Verwenden Sie angemessene Abschirmung oder Augenschutz.



- Die in dieser Leuchte enthaltene Lichtquelle darf nur von einem autorisierten Service-Center ausgetauscht werden.



- Besondere Umsicht und Aufmerksamkeit erforderlich!

### WICHTIGE SICHERHEITSVORSCHRIFTEN

**⚠️ WARNUNG:** Beim Gebrauch von Leuchten sollten die grundlegenden Sicherheitsvorkehrungen, einschließlich der folgenden, stets beachtet werden, um die Gefahr von Brand, elektrischem Schlag und Personenschäden zu reduzieren.

### ALLE ANWEISUNGEN DURCHLESEN.

#### ⚠️ VORSICHT:

1. Wenn die Leuchte nicht benutzt wird, schalten Sie sie stets aus, und ziehen Sie den Stecker ab bzw. nehmen Sie den Akku heraus.
2. Unterlassen Sie Abdecken oder Blockieren der Leuchte mit einem Tuch oder Karton usw. Abdecken oder Blockieren kann zu einem Brand führen.
3. Benutzen Sie die Leuchte nicht an feuchten oder nassen Orten. Setzen Sie die Leuchte keinem Regen oder Schnee aus. Waschen Sie das Gerät nicht in Wasser.
4. Betreiben Sie die Leuchte nicht in explosiven Umgebungen, wie z. B. in Gegenwart von brennbaren Flüssigkeiten, Gasen oder Staub.

5. Die Stecker von Leuchten müssen an die Steckdose angepasst sein. Der Stecker darf auf keinen Fall in irgendeiner Form abgeändert werden. Verwenden Sie keine Adapterstecker mit geerdeten Leuchten. Vorschriftsmäßige Stecker und passende Steckdosen reduzieren die Stromschlaggefahr.
6. Vermeiden Sie Körperkontakt mit geerdeten Gegenständen (z. B. Rohre, Kühler, Herde, Kühlschränke). Es besteht erhöhte Stromschlaggefahr, falls Ihr Körper Erdkontakt hat.
7. Behandeln Sie das Kabel sorgfältig. Benutzen Sie das Kabel niemals zum Tragen, Ziehen oder Abtrennen der Leuchte. Halten Sie das Kabel von Hitze, Öl, scharfen Kanten oder beweglichen Teilen fern. Ein beschädigtes oder verheddertes Kabel erhöht die Stromschlaggefahr.
8. Falls das externe flexible Kabel dieser Leuchte beschädigt wird, muss es von einem autorisierten Service-Center exklusiv ausgetauscht werden, um eine Gefahr zu vermeiden.
9. Blicken Sie nicht direkt in die LED-Leuchte oder die Lichtquelle.

Die Lampe wurde in die Risikogruppe 1 eingestuft.

- a) Die Lampe bzw. das Lampensystem überschreitet die Freie Gruppe. Die auf den Betrachter bezogene Gefahr hängt davon ab, wie die Benutzer das Produkt installieren und benutzen.
- b) Die am stärksten eingeschränkte optische Strahlengefahr und andere optische Strahlengefahren außerhalb der Freien Gruppe.
- c) Ordnungsgemäße Montage, Installation, Wartung und sicherer Gebrauch, einschließlich klarer Warnungen bezüglich Vorsichtsmaßnahmen, um mögliche Einwirkung gefährlicher optischer Strahlung zu vermeiden.
- d) Ratschlag zu sicheren Betriebsverfahren und Warnungen bezüglich halbwegs vorhersehbarer Verwendungsfehler, Funktionsstörungen und gefährlicher Ausfallmodi.
- e) BEMERKUNG: Dieses Produkt emittiert UV- und IR-Strahlung.
- f) WARNUNG: Dieses Produkt emittiert IR-Strahlung.
- g) VORSICHT: Dieses Produkt emittiert potenziell gefährliche optische Strahlung.
- h) Reduzieren Sie Bestrahlung von Augen oder Haut auf ein Minimum. Verwenden Sie angemessene Abschirmung.
- i) Verwenden Sie angemessene Abschirmung oder Augenschutz.
- j) Starren Sie nicht auf die leuchtende Lampe. Dies kann schädlich für die Augen sein.
- k) Bestrahlung kann zu Augen- oder Hautreizung führen. Bestrahlung der Augen vermeiden.

### Gebrauch und Pflege von Akkuleuchten

1. Laden Sie den Akku nur mit dem vom Hersteller vorgeschriebenen Ladegerät. Ein Ladegerät, das für einen bestimmten Akkutyp geeignet ist, kann bei Verwendung mit einem anderen Akku eine Brandgefahr darstellen.
2. Verwenden Sie Leuchten nur mit den speziell vorgesehenen Akkus. Bei Verwendung irgendwelcher anderer Akkus besteht Verletzungs- und Brandgefahr.

3. Bewahren Sie den Akku bei Nichtgebrauch nicht zusammen mit Metallgegenständen, wie Büroklammern, Münzen, Schlüsseln, Nägeln, Schrauben, und anderen kleinen Metallteilen auf, welche die Kontakte kurzschließen können. Kurzschließen der Akkukontakte kann Verbrennungen oder einen Brand verursachen.
4. Bei Missbrauch kann Flüssigkeit aus dem Akku austreten. Vermeiden Sie Kontakt mit dieser Flüssigkeit. Falls Sie versehentlich mit der Flüssigkeit in Berührung kommen, spülen Sie die betroffenen Stellen mit Wasser ab. Falls die Flüssigkeit in die Augen gelangt, suchen Sie zusätzlich ärztliche Hilfe auf. Die vom Akku austretende Flüssigkeit kann Hautreizungen oder Verätzungen verursachen.

### WICHTIGE SICHERHEITSVORSCHRIFTEN FÜR AKKU

1. Lesen Sie vor der Benutzung des Akkus alle Anweisungen und Warnhinweise, die an (1) Ladegerät, (2) Akku und (3) Akkuprodukt angebracht sind.
2. Unterlassen Sie Zerlegen des Akkus.
3. Falls die Betriebszeit beträchtlich kürzer geworden ist, stellen Sie den Betrieb sofort ein. Anderenfalls besteht die Gefahr von Überhitzung, möglichen Verbrennungen und sogar einer Explosion.
4. Falls Elektrolyt in Ihre Augen gelangt, waschen Sie sie mit sauberem Wasser aus, und suchen Sie unverzüglich ärztliche Hilfe auf. Anderenfalls können Sie erblinden.
5. Der Akku darf nicht kurzgeschlossen werden:
  - (1) Die Kontakte dürfen nicht mit leitfähigem Material berührt werden.
  - (2) Lagern Sie den Akku nicht in einem Behälter zusammen mit anderen Metallgegenständen, wie z. B. Nägel, Münzen usw.
  - (3) Setzen Sie den Akku weder Wasser noch Regen aus.
 Ein Kurzschluss des Akkus kann einen starken Stromfluss, Überhitzung, mögliche Verbrennungen und sogar einen Ausfall verursachen.
6. Lagern Sie die Leuchte und den Akku nicht an Orten, an denen die Temperatur 50°C erreichen oder überschreiten kann.
7. Versuchen Sie niemals, den Akku zu verbrennen, selbst wenn er stark beschädigt oder vollkommen verbraucht ist. Der Akku kann im Feuer explodieren.
8. Achten Sie darauf, dass der Akku nicht fallen gelassen oder Stößen ausgesetzt wird.
9. Benutzen Sie keine beschädigten Akkus.
10. Befolgen Sie die örtlichen Bestimmungen bezüglich der Entsorgung von Akkus.

### Hinweise zur Aufrechterhaltung der maximalen Akku-Nutzungsdauer

1. Laden Sie den Akku, bevor er vollkommen erschöpft ist. Schalten Sie die Leuchte stets aus, und laden Sie den Akku, wenn Sie ein Nachlassen der Leuchtenleistung feststellen.
2. Unterlassen Sie erneutes Laden eines voll aufgeladenen Akkus. Überladen führt zu einer Verkürzung der Nutzungsdauer des Akkus.

- Laden Sie den Akku bei Raumtemperatur zwischen 10°C und 40°C. Lassen Sie einen heißen Akku abkühlen, bevor Sie ihn laden.
- Laden Sie den Akku bei längerer Nichtbenutzung alle sechs Monate nach.

**Bewahren Sie alle Warnungen und Anweisungen für spätere Bezugnahme auf.**

## ZUSAMMENBAU

### VORSICHT:

- Vergewissern Sie sich vor der Ausführung von Arbeiten an der Leuchte stets, dass die Leuchte ausgeschaltet und der Akku abgenommen ist.

### Zusammenbauen von Rahmen und Fuß (Abb. 1)

Bauen Sie die Arbeitsleuchte wie folgt zusammen:

- Die Schrauben entfernen.
- Die Beine des Rahmens in den Fuß einführen.
- Die Löcher in Rahmen und Fuß aufeinander ausrichten.
- Die Teile mit Schrauben zusammenmontieren.

## FUNKTIONSBESCHREIBUNG

### VORSICHT:

- Vergewissern Sie sich vor der Durchführung von Einstellungen oder Funktionsprüfungen der Leuchte stets, dass die Leuchte ausgeschaltet und der Akku abgenommen ist.

### Betrieb mit Akku:

#### Anbringen und Abnehmen des Akkus

### VORSICHT:

- Schalten Sie stets die Leuchte aus, und ziehen Sie den Stecker ab, bevor Sie den Akku anbringen oder abnehmen.
- Halten Sie die Leuchte und den Akku beim Anbringen oder Abnehmen des Akkus sicher fest.** Wenn Sie die Leuchte und den Akku nicht sicher festhalten, können sie Ihnen aus der Hand rutschen, was zu einer Beschädigung der Leuchte und des Akkus und zu Personenschäden führen kann.

Zum Anbringen des Akkus die Abdeckungssperre entriegeln, und die Akkuabdeckung öffnen. Setzen Sie den Akku ein. Richten Sie die Führungsfeder des Akkus auf die Führungsnut im Gehäuse aus, und schieben Sie den Akku hinein. Schieben Sie ihn vollständig ein, bis er mit einem hörbaren Klicken einrastet. Schließen Sie dann die Akkuabdeckung. (Abb. 2)

Ziehen Sie den Akku zum Abnehmen von der Leuchte ab, während Sie den Knopf an der Vorderseite des Akkus verschieben.

### VORSICHT:

- Setzen Sie den Akku immer vollständig ein. Anderenfalls kann er versehentlich aus der Leuchte herausfallen und Sie oder umstehende Personen verletzen.
- Unterlassen Sie Gewaltanwendung beim Anbringen des Akkus. Falls der Akku nicht reibungslos hineingleitet, ist er nicht richtig ausgerichtet.

### Betrieb mit Netzstrom:

Schließen Sie den Stecker an eine Netzstromquelle an. (Abb. 3)

### Einschalten der LED-Leuchte (Abb. 4)

Drücken Sie die Taste einmal. Die Leuchte leuchtet hell (Modus „stark“). Drücken Sie die Taste erneut. Die Leuchte leuchtet gedämpft (Modus „schwach“). Zum Ausschalten der Leuchte drücken Sie die Taste erneut.

### Akku-Schutzsystem (Abb. 5)

Die Leuchte ist mit einem Akku-Schutzsystem ausgestattet, um die Akku-Nutzungsdauer zu verlängern. Wenn der Akku schwach wird, erlöschen die LED-Leuchten bis auf eine LED (diejenige in der Mitte der zweiten Reihe). Etwa fünf bis zehn Minuten später schaltet das System die Stromversorgung automatisch aus.

## BETRIEB

### VORSICHT:

- Diese Arbeitsleuchte ist für Außeneinsatz vorgesehen. Verwenden Sie die Arbeitsleuchte nicht für Haushaltszwecke.
- Stellen Sie die Leuchte immer auf eine flache und stabile Fläche. Anderenfalls kann ein Unfall durch Herunterfallen auftreten.

### Einstellen des Winkels der Arbeitsleuchte (Abb. 6)

Lösen Sie die Knöpfe auf beiden Seiten. Stellen Sie den Winkel der Arbeitsleuchte ein. Ziehen Sie dann die Knöpfe wieder an.

### Verwendung mit Stativ oder Schraubstock (Sonderzubehör) (Abb. 7)

### VORSICHT:

- Lesen Sie die Gebrauchsanleitungen der Zubehörteile sorgfältig durch, bevor Sie sie mit der Arbeitsleuchte benutzen.
- Wenn Sie die Leuchte mit einem Stativ oder Schraubstock benutzen, achten Sie darauf, dass die Gesamthöhe 1,75 m nicht überschreitet.

Sie können die Arbeitsleuchte auf ein Stativ oder einen Schraubstock montieren, um die Arbeit zu erleichtern.

## WARTUNG

### VORSICHT:

- Vergewissern Sie sich stets, dass die Leuchte ausgeschaltet, der Stecker abgezogen und der Akku abgenommen ist, bevor Sie sich anschicken, Inspektions- oder Wartungsarbeiten durchzuführen.
- Verwenden Sie auf keinen Fall Benzin, Benzol, Verdünner, Alkohol oder dergleichen. Solche Mittel können Verfärbung, Verformung oder Rissbildung verursachen.

Nur die Wartungsarbeiten, die in dieser Bedienungsanleitung beschrieben sind, dürfen vom Benutzer durchgeführt werden. Alle anderen Arbeiten müssen von einer autorisierten Makita-Kundendienststelle ausgeführt werden.

## Reinigen

Wischen Sie die Außenseite (Gehäuse) der Leuchte von Zeit zu Zeit mit einem mit Seifenwasser getränkten Tuch ab.

Um die SICHERHEIT und ZUVERLÄSSIGKEIT dieses Produkts zu gewährleisten, sollten Reparaturen und andere Wartungs- oder Einstellarbeiten nur von autorisierten Makita-Kundendienststellen unter ausschließlicher Verwendung von Makita-Originalersatzteilen ausgeführt werden.

## SONDERZUBEHÖR

### VORSICHT:

- Die folgenden Zubehörteile oder Vorrichtungen werden für den Einsatz mit der in dieser Anleitung beschriebenen Makita-Leuchte empfohlen. Die Verwendung anderer Zubehörteile oder Vorrichtungen kann eine Verletzungsgefahr darstellen. Verwenden Sie Zubehörteile oder Vorrichtungen nur für ihren vorgesehenen Zweck.

Wenn Sie weitere Einzelheiten bezüglich dieser Zubehörteile benötigen, wenden Sie sich bitte an Ihre Makita-Kundendienststelle.

- Original-Makita-Akku und -Ladegerät
- Stativ
- Schraubstock
- Blendschutzfolie

### HINWEIS:

- Manche Teile in der Liste können als Standardzubehör im Leuchtenpaket enthalten sein. Sie können von Land zu Land unterschiedlich sein.

**Spiegazione della visione generale**

- |                    |  |                |
|--------------------|--|----------------|
| 1 Telaio           | 5 Coperchio batteria                                   | 8 Interruttore |
| 2 Base             | 6 Cartuccia batteria                                   | 9 Manopola     |
| 3 Vite             | 7 Spina (la forma potrebbe differire da Paese a Paese) |                |
| 4 Blocco coperchio |  |                |

**DATI TECNICI**

Modello	DML805			
LED	20 x 0,6 W			
Tempo di funzionamento* (con batteria BL1830)	(Approssimativo) Alta: 5 ore / Basso: 10 ore			
Alimentazione	C.a. 220-240 V 50-60 Hz o c.c. 14,4 V / 18 V			
Cartuccia batteria standard	BL1415 / BL1415N	BL1430 / BL1440 / BL1450	BL1815 / BL1815N / BL1820	BL1830 / BL1840 / BL1850
Tensione (con funzionamento della batteria)	14,4 V		18 V	
Dimensioni (L x P x A)	214 mm x 261 mm x 328 mm			
Peso netto	2,3 kg	2,5 kg	2,4 kg	2,6 kg
Area di ricezione pressione (Area lente)	0,0195 m <sup>2</sup>			

- Per il nostro continuo programma di ricerca e sviluppo, i presenti dati tecnici sono soggetti a cambiamenti senza avviso.
- I dati tecnici e la cartuccia batteria potrebbero differire da Paese a Paese.
- Peso, con batteria, secondo la Procedura EPTA 01/2003
- \* Questo valore è soltanto consultivo. Esso potrebbe variare secondo le condizioni e l'ambiente della batteria.

**Simboli**

Quanto segue mostra i simboli usati per questo prodotto. Accertarsi di aver capito il loro significato prima dell'uso.



- Leggere le istruzioni per l'uso.



- Utilizzo soltanto negli interni



- Soltanto per i Paesi UE  
Non gettare gli apparecchi elettrici o la cartuccia batteria con i rifiuti domestici!  
In osservanza alle direttive europee sugli apparecchi elettrici ed elettronici di scarto, alle batterie e agli accumulatori, e alle batterie e agli accumulatori di scarto, e al loro espletamento secondo le leggi nazionali, gli apparecchi elettrici, le batterie e i pacchi batteria che hanno raggiunto la fine della loro vita di servizio devono essere raccolti separatamente e portati a un centro di riciclaggio compatibile con l'ambiente.



- DOPPIO ISOLAMENTO



- Radiazione ottica (UV e IR).  
Minimizzare l'esposizione agli occhi o alla pelle.



- Non guardare fissamente la lampada mentre sta funzionando.



- Usare una schermatura o protezione degli occhi appropriata.



- La sorgente di luce contenuta in questa lampada deve essere sostituita soltanto da un centro di assistenza autorizzato.



- Prestare una particolare cura e attenzione!

**IMPORTANTE ISTRUZIONI PER LA SICUREZZA**

**⚠ AVVERTIMENTO:** Quando si usano le lampade, si devono sempre osservare le precauzioni per la sicurezza in modo da ridurre il rischio di incendio, scosse elettriche e incidenti, comprese quelle seguenti:

**LEGGERE TUTTE LE ISTRUZIONI.**

**⚠ ATTENZIONE:**

1. Quando la lampada non viene usata, bisogna sempre spegnerla e staccare la spina dalla presa di corrente / rimuovere la cartuccia batteria dalla lampada.
2. Non coprire o intasare la lampada accesa con panni, cartoni, ecc. La sua copertura o intasamento potrebbe causare una fiamma.
3. Non usare la lampada in un luogo umido o bagnato. Non esporre la lampada alla pioggia o alla neve. Non lavarlo in acqua.
4. Non usare la lampada in una atmosfera esplosiva, come in presenza di liquidi, gas o polvere infiammabili.

5. Le spine delle lampade devono essere adatte alle prese di corrente. Non si deve mai modificare la spina in un qualsiasi modo. Con le lampade messe a terra (a massa) non si deve usare alcuna spina adattatrice. Le spine non modificate e adatte alle prese di corrente riducono il rischio di scosse elettriche.
6. Evitare il contatto del corpo con le superfici messe a terra o a massa, come tubazioni, radiatori, fornelli e frigoriferi. Se il corpo è a terra o a massa, c'è un maggior rischio di scosse elettriche.
7. Non maltrattare il cavo di alimentazione. Il cavo di alimentazione non deve mai essere usato per trasportare la lampada, o essere tirato per staccarla dalla presa di corrente. Tenere il cavo di alimentazione lontano dal calore, olio, bordi taglienti o parti mobili. I cavi di alimentazione danneggiati o aggrovigliati aumentano il rischio di scosse elettriche.
8. Se il cavo flessibile esterno o il cavo della presente lampada è danneggiato, deve essere sostituito soltanto da un centro di assistenza autorizzato per evitare pericoli.
9. Non si deve guardare direttamente la luce LED o la sorgente della luce.

La lampada è stata classificata come rischio del Gruppo 1.

- a) La lampada, o il sistema della lampada, è in eccedenza al Gruppo di Esenzione, e il rischio connesso a chi guarda dipende dal modo in cui gli utenti installano e usano il prodotto.
- b) Il pericolo di radiazione ottica più restrittivo e altri pericoli di radiazione ottica in eccedenza al Gruppo di Esenzione.
- c) Corretto montaggio, installazione, manutenzione e uso sicuro, compresi gli espliciti avvertimenti riguardo alle precauzioni per evitare la possibile esposizione a pericolosa radiazione ottica.
- d) Consigli per le sicure procedure di funzionamento e avvertimenti riguardanti negligenze, malfunzionamenti e modi di guasti pericolosi ragionevolmente prevedibili.
- e) **AVVISO:** Raggi ultravioletti (UV) e infrarossi (IR) emessi da questo prodotto.
- f) **AVVERTIMENTO:** Raggi infrarossi (IR) emessi da questo prodotto.
- g) **ATTENZIONE:** Radiazione ottica possibilmente pericolosa emessa da questo prodotto.
- h) Minimizzare l'esposizione agli occhi o alla pelle. Usare una schermatura appropriata.
- i) Usare una schermatura o protezione degli occhi appropriata.
- j) Non guardare fissamente la lampada mentre funziona. Potrebbe essere dannoso per gli occhi.
- k) L'esposizione potrebbe causare una irritazione degli occhi o della pelle. Evitare l'esposizione agli occhi.

#### **Utilizzo e cura della lampada a batteria**

1. Ricaricare soltanto con il caricatore specificato dal produttore. Un caricatore adatto per un tipo di cartuccia batteria potrebbe creare un rischio di incendio se usato con una cartuccia batteria diversa.
2. Usare le lampade soltanto con le cartucce batteria specificatamente designate. L'impiego di qualsiasi altra cartuccia batteria potrebbe creare il rischio di un incidente e incendio.

3. Quando non si usa la cartuccia batteria, tenerla lontana da altri oggetti metallici, come graffette, monete, chiavi, chiodi, viti o altri piccoli oggetti di metallo che potrebbero stabilire una connessione da un terminale all'altro. Il cortocircuito dei terminali della batteria potrebbe causare bruciateure o un incendio.
4. In condizioni di strapazzamento, il liquido potrebbe essere espulso dalla batteria. Evitare ogni contatto. Nel caso di un contatto accidentale, sciacquare con acqua. Se il liquido viene a contatto con gli occhi, rivolgersi anche a un medico. Il liquido espulso dalla batteria potrebbe causare irritazione o bruciori.

#### **IMPORTANTI ISTRUZIONI DI SICUREZZA PER LA CARTUCCIA BATTERIA**

1. Prima di usare la cartuccia batteria, leggere tutte le istruzioni e i segni cautelativi su (1) il caricatore della batteria, (2) la batteria e (3) il prodotto che usa la batteria.
2. Non smontare la cartuccia batteria.
3. Se il tempo di utilizzo diventa eccessivamente corto, smettere immediatamente l'uso. Potrebbe causare un rischio di surriscaldamento, possibili bruciateure e anche una esplosione.
4. Se l'elettrolito dovesse finire negli occhi, sciacquarli con acqua pulita e rivolgersi subito a un medico. Potrebbe causare la perdita della vista.
5. Non cortocircuitare la cartuccia batteria:
  - (1) Non toccare i terminali con un qualsiasi materiale conduttivo.
  - (2) Evitare di conservare la cartuccia batteria in un contenitore con altri oggetti metallici, come chiodi, monete, ecc.
  - (3) Non esporre la cartuccia batteria all'acqua o alla pioggia.
 Un cortocircuito della batteria può causare un grande flusso di corrente, surriscaldamento, possibili bruciateure e anche un guasto.
6. Non conservare la lampada e la cartuccia batteria in luoghi dove la temperatura potrebbe raggiungere o superare i 50°C.
7. Non incinerare la cartuccia batteria, anche se è gravemente danneggiata o completamente usurata. La cartuccia batteria può esplodere nel fuoco.
8. Fare attenzione a non lasciar cadere o sbattere la batteria.
9. Non usare una batteria danneggiata.
10. Seguire le norme locali riguardo allo smaltimento della batteria.

#### **Suggerimenti per mantenere la vita di servizio massima della batteria**

1. Caricare la cartuccia batteria prima che si scarichi completamente. Arrestare sempre il funzionamento della lampada e caricare la cartuccia batteria quando si nota una diminuzione di potenza della lampada.
2. Non si deve mai ricaricare una cartuccia batteria completamente carica. La sovraccarica riduce la vita di servizio della batteria.
3. Caricare la cartuccia batteria alla temperatura ambiente di 10°C – 40°C. Lasciar raffreddare una cartuccia batteria calda prima di caricarla.

4. Caricare la cartuccia batteria una volta ogni sei mesi se non la si usa per un lungo periodo di tempo.

### **Conservare tutti gli avvertimenti e le istruzioni per farvi riferimento in futuro.**

## **MONTAGGIO**

### **⚠ ATTENZIONE:**

- Accertarsi sempre che la lampada sia spenta e staccata dalla presa di corrente, e che la cartuccia batteria sia stata rimossa, prima di un qualsiasi intervento sulla lampada.

### **Montaggio del telaio e della base (Fig. 1)**

Montare la lampada da lavoro come segue:

1. Rimuovere le viti.
2. Inserire le gambe del telaio nella base.
3. Allineare i fori del telaio su quelli della base.
4. Stringerli con le viti.

## **DESCRIZIONE FUNZIONALE**

### **⚠ ATTENZIONE:**

- Accertarsi sempre che la lampada sia spenta e staccata dalla presa di corrente, e che la cartuccia batteria sia stata rimossa, prima di regolare o di controllare il funzionamento della lampada.

### **Utilizzo con la batteria:**

### **Installazione o rimozione della cartuccia batteria**

#### **⚠ ATTENZIONE:**

- Spegnerne sempre la lampada e staccarla dalla presa di corrente prima di installare o di rimuovere la cartuccia batteria.
- **Tenere saldamente la lampada e la cartuccia batteria quando si installa o si rimuove la cartuccia batteria.** Se la lampada e la cartuccia batteria non vengono tenute saldamente, potrebbero sfuggire di mano, danneggiare la lampada e la cartuccia batteria, e causare un incidente.

Per installare la cartuccia batteria, rilasciare il blocco del coperchio e aprire il coperchio della batteria. Inserire poi la cartuccia batteria. Allineare l'appendice della cartuccia batteria sulla scanalatura dell'alloggiamento, e spingerla in posizione. Inserirli completamente finché si blocca in posizione con uno scatto. Chiudere poi il coperchio della batteria. (Fig. 2)

Per rimuovere la cartuccia batteria, spingerla fuori dalla lampada spingendo allo stesso tempo il bottone sulla parte anteriore della cartuccia.

#### **⚠ ATTENZIONE:**

- Installare sempre completamente in posizione la cartuccia batteria. In caso contrario, potrebbe accidentalmente cadere fuori dalla lampada causando un incidente all'operatore o a chi gli è vicino.
- Non installare la cartuccia batteria usando forza. Se la cartuccia batteria non scorre facilmente in posizione, vuol dire che non viene inserita correttamente.

### **Utilizzo con la corrente alternata:**

Collegare la spina a una presa di corrente. (Fig. 3)

### **Accensione della luce LED (Fig. 4)**

Premere una volta l'interruttore per la luce più forte della lampada (modalità alta). Premere di nuovo l'interruttore per la luce più tenue della lampada (modalità bassa). Per spegnere la luce, premere ancora una volta l'interruttore.

### **Sistema di protezione della batteria (Fig. 5)**

Questa lampada è dotata di un sistema di protezione della batteria, per estendere la sua vita di servizio.

Quando la carica della batteria diventa bassa, i LED si spengono fuorché uno (quello al centro della seconda riga). Poi, entro un lasso di tempo da cinque a dieci minuti circa, il sistema interrompe automaticamente la corrente.

## **FUNZIONAMENTO**

### **⚠ ATTENZIONE:**

- Questa lampada da lavoro è progettata per l'utilizzo nelle attività esterne. Essa non deve essere usata per i lavori in casa.
- Posare sempre la lampada su una superficie piana e stabile. In caso contrario, si potrebbe verificare un incidente.

### **Regolazione dell'angolo della lampada da lavoro (Fig. 6)**

Allentare le manopole su entrambi i lati. Regolare l'angolo della lampada da lavoro. Stringere poi di nuovo le manopole.

### **Utilizzo con un treppiede o morsa (accessori opzionali) (Fig. 7)**

#### **⚠ ATTENZIONE:**

- Leggere attentamente le istruzioni per l'uso degli accessori prima di usarli con la lampada da lavoro.
- Usandola con un treppiede o morsa, fare in modo che la sua altezza totale non superi 1,75 m.

La lampada da lavoro può essere messa su un treppiede o morsa per facilitare le operazioni.

## **MANUTENZIONE**

### **⚠ ATTENZIONE:**

- Accertarsi sempre che la lampada sia spenta e staccata dalla presa di corrente, e che la cartuccia batteria sia stata rimossa, prima di cercare di eseguire l'ispezione o la manutenzione.
- Mai usare benzina, benzene, solventi, alcol e altre sostanze simili. Potrebbero causare scolorimenti, deformazioni o crepe.

L'utente deve eseguire soltanto il lavoro di manutenzione descritto in queste istruzioni per l'uso. Qualsiasi altro lavoro deve essere eseguito da un centro di assistenza Makita autorizzato.

### **Pulizia**

Strofinare ogni tanto l'esterno (corpo) della lampada con un panno inumidito con acqua insaponata.

Per mantenere la SICUREZZA e l'AFFIDABILITÀ del prodotto, le riparazioni e qualsiasi altro intervento di manutenzione o di regolazione devono essere eseguiti da un centro di assistenza Makita autorizzato usando sempre ricambi Makita.



## ACCESSORI OPZIONALI

### **ATTENZIONE:**

- Per l'utilizzo con la lampada Makita specificata in questo manuale si consigliano questi accessori o ricambi. L'utilizzo di qualsiasi altro accessorio o ricambio potrebbe costituire un rischio di incidenti alle persone. Usare soltanto gli accessori o ricambi stabiliti per il loro scopo.

Nel caso che sia necessaria una qualsiasi assistenza per maggiori dettagli riguardo a questi accessori, rivolgersi al centro di assistenza Makita locale.

- Batteria e caricatore Makita genuini
- Treppiede
- Morsa
- Pellicola anabbagliante

### **NOTA:**

- Alcuni articoli della lista potrebbero essere inclusi nell'imballaggio della lampada come accessori standard. Essi potrebbero differire da Paese a Paese.

**Uitleg van het totaaloverzicht**

1	Frame	5	Accudeksel	8	Schakelaar
2	Voetstuk	6	Accu	9	Knop
3	Schroef	7	Stekker (de vorm kan van land tot land verschillen)		
4	Dekselslot				

**TECHNISCHE GEGEVENS**

Model	DML805			
LED	20 x 0,6 W			
Bedrijfsduur* (met accu BL1830)	(Ongeveer) Fel: 5 uren / Dimlicht: 10 uren			
Stroomvoorziening	220-240 V 50-60 Hz wisselstroom of 14,4 V / 18 V gelijkstroom			
Standaard accu	BL1415 / BL1415N	BL1430 / BL1440 / BL1450	BL1815 / BL1815N / BL1820	BL1830 / BL1840 / BL1850
Voltage (bij gebruik op accuspanning)	14,4 V		18 V	
Afmetingen (L x B x H)	214 mm x 261 mm x 328 mm			
Netto gewicht	2,3 kg	2,5 kg	2,4 kg	2,6 kg
Oppervlak onder druk (Lensoppervlak)	0,0195 m <sup>2</sup>			

- \* Vanwege ons voortgaand onderzoeks- en ontwikkelingsprogramma kunnen de bijgaande technische gegevens zonder voorafgaande kennisgeving worden gewijzigd.
- \* De technische gegevens en de uitvoering van de accu kunnen per land verschillend zijn.
- \* Gewicht, inclusief accu, volgens de EPTA-procedure 01/2003
- \* Deze waarde geldt slechts als richtlijn. Er kunnen verschillen in optreden, al naar gelang de conditie van de accu en de gebruiksomstandigheden.

**Symbolen**

Hieronder volgen de symbolen die voor het apparaat gebruikt worden. Zorg dat u vóór het gebruik de betekenis ervan duidelijk begrijpt.



- Lees de gebruiksaanwijzing.



- Alleen voor gebruik binnenshuis.



- Alleen voor landen van de EU  
Geef opgebruikte elektrische apparatuur of accu's niet met het huishoudelijk afval mee!

Met inachtneming van de Europese Richtlijnen betreffende afgedankte elektrische en elektronische apparatuur, batterijen en accu's, inclusief wegwerpbatterijen en opgebruikte accu's, en de tenuitvoerlegging van deze richtlijnen onder de nationale wetgeving, moeten elektrische apparaten, batterijen en accu's die het einde van hun levensduur bereikt hebben, gescheiden worden ingezameld en worden ingeleverd bij een recyclingbedrijf dat aan de milieुरichtlijnen voldoet.



- DUBBELE ISOLATIE



- Optische straling (UV en IR).  
Schijn zo min mogelijk in de ogen en op de huid.



- Kijk niet recht in de ingeschakelde lamp.



- Gebruik geschikte afscherming of oogbescherming.



- De lichtbron in deze werkklamp mag alleen worden vervangen door een erkende onderhoudsdienst.



- Pas goed op en ga voorzichtig te werk!

**BELANGRIJKE VEILIGHEIDSVOORSCHRIFTEN**

**⚠ WAARSCHUWING:** Om bij het gebruik van werkklampen gevaar voor brand, elektrische schokken of verwondingen te voorkomen, dient u zich vooral te houden aan de essentiële veiligheidsvoorschriften, waaronder de volgende:

**LEES ALLE AANWIJZINGEN.**

**⚠ LET OP:**

1. Schakel de werkklamp uit wanneer u hem niet gebruikt en verwijder ook de accu uit de werkklamp.
2. Bedek de werkklamp niet met een doek of een stuk papier of karton. Afdekken kan brandgevaar veroorzaken.

3. Gebruik de werklamp niet op natte of erg vochtige plaatsen. Stel de werklamp niet bloot aan regen of sneeuw. Niet met water wassen.
4. Gebruik de werklamp niet in een omgeving waar explosiegevaar bestaat door licht ontvlambare vloeistoffen, gas, damp of stof.
5. Let op dat de stekker van de werklamp goed in het stopcontact past. Probeer nooit om de stekker op enige wijze aan te passen. Gebruik geen adapter of verloopstekker voor geaarde werklampen (met massacontact). Met goed passende stekkers en stopcontacten vermijdt u het gevaar van elektrische schokken.
6. Zorg dat uw lichaam niet in aanraking is met geaarde voorwerpen zoals buizen, een radiator, fornuis of koelkast. U loopt een verhoogd risico van een elektrische schok als uw lichaam een aardcontact of massacontact heeft.
7. Wees voorzichtig het snoer niet te beschadigen. Gebruik het snoer nooit om de werklamp te dragen of te trekken, of om de stekker uit het stopcontact te trekken. Zorg dat het snoer niet wordt blootgesteld aan hitte, olie, scherpe randen of bewegende delen. Een beschadigd of geknakt snoer kan gevaar voor een elektrische schok opleveren.
8. Als het stroom snoer of een extern verlengsnoer van deze werklamp beschadigd is, mag het alleen vervangen worden bij een erkende onderhoudsdienst, om een gevaarlijke situatie te vermijden.
9. Kijk nooit recht in het LED-lamplicht of de lichtbron.

De lamp is geclassificeerd in gevarengroep 1.

- a) De lamp of het lampsysteem overschrijdt de limiet van de Uitzonderingsgroep en het risico voor iemand die erin kijkt hangt af van de wijze waarop de gebruikers het product installeren en gebruiken;
- b) De meest stringente optische stralingscriteria en andere optische stralingsrisico's overschrijden de limiet van de Uitzonderingsgroep.
- c) Juiste montage, installatie, onderhoud en veilig gebruik, inclusief duidelijke waarschuwingen en veiligheidsvoorschriften ter vermindering van mogelijke blootstelling aan schadelijke optische straling.
- d) Advies betreffende veilige bedieningsprocedures en waarschuwingen omtrent mogelijk voorspelbare vormen van misbruik, defecten en gevaarlijke werkingsstoringen.
- e) KENNISGEVING: Dit product brengt ultraviolette en infrarode straling voort.
- f) WAARSCHUWING: Dit product brengt infrarode straling voort.
- g) LET OP: Dit product brengt mogelijk schadelijke optische straling voort.
- h) Schijn zo min mogelijk in de ogen en op de huid. Gebruik geschikte afscherming.
- i) Gebruik geschikte afscherming of oogbescherming.
- j) Kijk niet recht in de ingeschakelde lamp. Kan schadelijk zijn voor de ogen.
- k) Blootstelling kan irritatie van de ogen of huid veroorzaken. Schijn niet recht in iemands ogen.

### Bediening en onderhoud van accu-werklamp

1. Alleen opladen met de door de fabrikant voorgeschreven acculader. Een acculader die geschikt is voor een bepaald type accu kan brandgevaarlijk zijn bij gebruik met een ander type accu.

2. Gebruik de werklamp alleen met de specifiek daarvoor geschikte accu. Het gebruik van een ander type accu kan gevaar voor brand of verwondingen opleveren.
3. Wanneer de accu niet in gebruik is, dient u deze uit de buurt te houden van andere metalen voorwerpen, zoals paperclips, kleingeld, sleutels, spijkers, schroeven of andere kleine metalen voorwerpen die kortsluiting tussen de accucontacten zouden kunnen maken. Als de accucontacten kortgesloten worden, kan dat brandgevaar of brandwonden veroorzaken.
4. Bij misbruik kan er vloeistof uit de accu vrijkomen; vermijd aanraking daarmee. Als u per ongeluk in aanraking komt met accuvloeistof, wast u die dan met water af. Als er accuvloeistof in uw ogen komt, roept u dan bovendien medische hulp in. De vloeistof uit de accu kan huidirritatie of brandwonden veroorzaken.

### BELANGRIJKE VEILIGHEIDSVORSCHRIFTEN VOOR DE ACCU

1. Alvorens u de accu in gebruik neemt, leest u eerst alle aanwijzingen en waarschuwingen over (1) de acculader, (2) de accu en (3) het product waarvoor u de accu gebruikt.
2. Probeer niet de accu te demonteren.
3. Als de gebruiksduur veel korter is geworden, staakt u dan onmiddellijk het gebruik. Anders bestaat de kans op oververhitting, gevaar voor brandwonden of zelfs een ontploffing.
4. Als er accuvloeistof in uw ogen komt, wast u ze onmiddellijk uit met volop schoon water en roept u dan onverwijld medische hulp in. Uw gezichtsvermogen zou ernstig aangetast kunnen worden.
5. Voorkom kortsluiting van de accucontacten:
  - (1) Raak de accucontacten niet aan met enig stroomgeleidend materiaal.
  - (2) Bewaar de accu niet in een doos samen met andere metalen voorwerpen zoals spijkers, kleingeld, enz.
  - (3) Zorg dat de accu niet wordt blootgesteld aan regen of vocht.
 Kortsluiting van de accu kan leiden tot een overmatige stroomsterkte, oververhitting, brandgevaar en zelfs defecten.
6. Berg de werklamp en de accu niet op in een omgeving waar de temperatuur kan oplopen tot 50°C of hoger.
7. Werp een opgebruikte accu nooit in het vuur, ook al is de accu zwaar beschadigd of helemaal onbruikbaar. In het vuur zou de accu kunnen ontploffen.
8. Laat de accu niet vallen en nergens hard tegenaan stoten.
9. Een accu die beschadigd is mag u niet meer gebruiken.
10. Volg de plaatselijk geldende voorschriften voor het inleveren of wegwerpen van batterijen.

### Tips om de accu in optimale staat te houden

1. Laad de accu op voordat die volledig ontladen is. Staak altijd het gebruik van de werklamp en laad de accu op wanneer u merkt dat de werklamp minder licht geeft.
2. Probeer nooit om een volledig opgeladen accu nogmaals op te laden. Door overmatig opladen zal de gebruiksduur van de accu korter worden.

3. Verricht het opladen van de accu bij een kamertemperatuur van 10°C – 40°C. Een accu die heet geworden is, laat u eerst afkoelen voordat u die oplaadt.
4. Laad de accu zeker elk half jaar een keer op, ook als u deze geruime tijd lang niet gebruikt.

**Bewaar al deze waarschuwingen en instructies zorgvuldig voor latere naslag.**

## MONTAGE

### LET OP:

- Zorg altijd dat de werkklamp is uitgeschakeld, de stekker uit het stopcontact is getrokken en de accu is verwijderd alvorens enig werk aan de werkklamp uit te voeren.

### Monteren van het frame en het voetstuk (Fig. 1)

Zet de werkklamp als volgt in elkaar:

1. Verwijder de schroeven.
2. Steek de poten van het frame in het voetstuk.
3. Zorg dat de schroefgaten in het frame tegenover die in het voetstuk komen.
4. Zet ze vast met de schroeven.

## BESCHRIJVING VAN DE FUNCTIES

### LET OP:

- Zorg altijd dat de werkklamp is uitgeschakeld, de stekker uit het stopcontact is getrokken en de accu is verwijderd, alvorens enige controle of afstelling aan de werkklamp uit te voeren.

### Gebruik op stroom van de accu:

#### Aanbrengen en verwijderen van de accu

##### LET OP:

- Schakel altijd de werkklamp uit en trek de stekker uit het stopcontact voordat u de accu aanbrengt of verwijderd.
- **Houd de werkklamp en de accu stevig vast wanneer u de accu aanbrengt of verwijderd.** Als u de werkklamp en de accu niet stevig vasthoudt, zouden deze uit uw handen kunnen glippen, met gevaar voor schade aan de werkklamp en de accu, en voor lichamelijke letsels.

Voor het aanbrengen van de accu, maakt u het deksel slot los en dan opent u het accudeksel. Breng vervolgens de accu aan. Plaats de tong van de accu in de groef van de behuizing en schuift u de accu op zijn plaats. Schuif de accu er altijd volledig in totdat die op zijn plaats vastklikt. Sluit vervolgens het accudeksel. (Fig. 2)

Om de accu te verwijderen, verschuift u de knop aan de voorkant van de accu en dan schuift u de accu uit de werkklamp.

##### LET OP:

- Let op dat u de accu altijd stevig vast schuift. Als u dit nalaat, zou de accu uit de werkklamp kunnen vallen en uzelf of anderen kunnen verwonden.
- Druk de accu er niet met kracht in. Als de accu er niet soepel in gaat, houdt u die waarschijnlijk in de verkeerde stand.

### Gebruik op stroom van het lichtnet:

Steek de stekker in een stopcontact. (Fig. 3)

### Inschakelen van de LED-lamp (Fig. 4)

Druk de schakelaar eenmaal in, dan gaat de lamp helder branden (fel licht). Druk de schakelaar nogmaals in, dan gaat de lamp minder fel branden (dimlicht). Om de lamp uit te doen, drukt u de schakelaar een derde maal in.

### Accubeveiligingssysteem (Fig. 5)

De werkklamp is voorzien van een accubeveiligingssysteem voor een langere levensduur van de accu.

Wanneer de accu bijna leeg is, doven alle LED-lampen behalve een ervan (de middelste LED-lamp op de tweede rij). Dan zal ongeveer vijf tot tien minuten later de lamp automatisch helemaal worden uitgeschakeld.

## BEDIENING

### LET OP:

- Deze werkklamp is bestemd voor gebruik in het open veld. Gebruik deze werkklamp niet voor huishoudelijke toepassingen.
- Zet de werkklamp altijd op een vlakke, stabiele ondergrond. Anders kan het gereedschap vallen en kunnen er ongelukken gebeuren.

### De belichtingshoek van de werkklamp verstellen (Fig. 6)

Draai de knoppen aan beide zijden los. Verstel de hoek van de werkklamp. Draai vervolgens de beide knoppen weer vast.

### Gebruik op een statief of in een klem (optionele accessoires) (Fig. 7)

##### LET OP:

- Lees zorgvuldig de gebruiksaanwijzingen van de accessoires voordat u die met de werkklamp gaat gebruiken.
- Bij gebruik op een statief of in een klem mag de totale hoogte de 1,75 meter niet overschrijden.

U kunt de werkklamp opstellen op een statief of in een klem, nuttig voor uw werk en een handige bediening.

## ONDERHOUD

### LET OP:

- Zorg altijd dat de werkklamp is uitgeschakeld, de stekker uit het stopcontact is getrokken en de accu is verwijderd alvorens inspectie of onderhoud uit te voeren.
- Gebruik nooit benzine, wasbenzine, thinner, alcohol en dergelijke. Hierdoor kunnen verkleuring, vervormingen en barsten worden veroorzaakt.

Alleen de onderhoudswerkzaamheden beschreven in deze gebruiksaanwijzing mogen door de gebruiker zelf worden uitgevoerd. Alle andere werkzaamheden mogen alleen worden verricht door een erkende Makita onderhoudsdienst.

### Reinigen

Veeg van tijd tot tijd de buitenkant van de werkklamp (de behuizing van de werkklamp) schoon met een doek, licht bevochtigd met wat zeepop.

Om de VEILIGHEID en BETROUWBAARHEID van het product te handhaven, dienen alle reparaties en alle andere onderhoudswerkzaamheden of afstellingen te worden uitgevoerd door een erkende Makita onderhoudsdienst, en dat uitsluitend met gebruik van Makita vervangingsonderdelen.

## OPTIONELE ACCESSOIRES

### LET OP:

- Deze accessoires of hulpstukken worden aanbevolen voor gebruik met uw Makita werklamp die in deze gebruiksaanwijzing wordt beschreven. Het gebruik van andere accessoires of hulpstukken kan gevaar voor persoonlijk letsel opleveren. Gebruik de accessoires of hulpstukken uitsluitend voor het gespecificeerde doel.

Wenst u meer informatie over deze accessoires, neemt u dan contact op met uw plaatselijke Makita onderhoudsdienst.

- Originele Makita accu en acculader
- Statief
- Klem
- Anti-verblindingsfolie

### **OPMERKING:**

- Bepaalde onderdelen uit deze lijst kunnen zijn inbegrepen in de verpakking van de werklamp als standaardaccessoires. Deze kunnen van land tot land verschillen.

**Explicación de los dibujos**

- |                      |   |               |
|----------------------|---|---------------|
| 1 Bastidor           | 5 Tapa de la batería                                | 8 Interruptor |
| 2 Base               | 6 Cartucho de batería                               | 9 Pomo        |
| 3 Tornillo           | 7 Clavija (la forma puede variar de un país a otro) |               |
| 4 Bloqueo de la tapa |   |               |

**ESPECIFICACIONES**

Modelo	DML805			
LED	20 x 0,6 W			
Tiempo de operación* (con la batería BL1830)	(Aproximadamente) Alto: 5 horas / Bajo: 10 horas			
Fuente de alimentación	220-240 V 50-60 Hz CA o 14,4 V / 18 V CC			
Cartucho de batería estándar	BL1415 / BL1415N	BL1430 / BL1440 / BL1450	BL1815 / BL1815N / BL1820	BL1830 / BL1840 / BL1850
Tensión (operación con batería)	14,4 V		18 V	
Dimensiones (La x An x Al)	214 mm x 261 mm x 328 mm			
Peso neto	2,3 kg	2,5 kg	2,4 kg	2,6 kg
Área que recibe presión (Área de la lente)	0,0195 m <sup>2</sup>			

- Debido a nuestro continuado programa de investigación y desarrollo, las especificaciones indicadas aquí están sujetas a cambio sin previo aviso.
- Las especificaciones y el cartucho de batería pueden variar de un país a otro.
- Peso, con el cartucho de batería, de acuerdo con el procedimiento EPTA 01/2003
- \* Este valor es solamente a modo de orientación. Puede variar de acuerdo con la condición y el ambiente de la batería.

**Símbolos**

A continuación se muestran los símbolos utilizados para el equipo. Asegúrese de que entiende sus significados antes de utilizar la herramienta.



- Lea el manual de instrucciones.



- Usar solamente en interiores



- Sólo para países de la Unión Europea  
¡No tire aparatos eléctricos ni baterías a la basura con los residuos domésticos!  
En conformidad con la Directiva Europea, sobre residuos de aparatos eléctricos y electrónicos y sobre baterías y acumuladores y residuos de baterías y de acumuladores y su aplicación de acuerdo con la legislación nacional, los aparatos eléctricos y las baterías cuya vida útil haya llegado a su fin se deberán recoger por separado y trasladar a una planta de reciclaje que cumpla con las exigencias ecológicas.



- DOBLE AISLAMIENTO



- Radiación óptica (UV e IR).  
Minimice la exposición en los ojos o la piel.



- No se quede mirando a la lámpara encendida.



- Utilice blindaje apropiado o protección para los ojos.



- La fuente de luz de este iluminador deberá ser reemplazada solamente por un centro de servicio autorizado.



- ¡Preste cuidado y atención especiales!

**INSTRUCCIONES DE SEGURIDAD IMPORTANTES**

**⚠ ADVERTENCIA:** Cuando utilice iluminadores, deberá tomar siempre precauciones básicas para reducir el riesgo de incendios, descargas eléctricas y heridas personales, incluyendo las siguientes:

**LEA TODAS LAS INSTRUCCIONES.**

**⚠ PRECAUCIÓN:**

1. Cuando no utilice el iluminador, siempre apáguelo, y desenchúfelo / extraiga el cartucho de batería del iluminador.
2. No cubra ni obstruya el iluminador con ropa o cartón, etc. Si la cubre u obstruye podrá ocasionar llamas.
3. No utilice el iluminador en lugares húmedos o mojados. No exponga el iluminador a la lluvia o la nieve. No la lave en agua.
4. No utilice el iluminador en atmósferas explosivas, tal como en la presencia de líquidos, gases o polvo inflamables.

5. Las clavijas de alimentación del iluminador deberán ser apropiadas para la toma de corriente. No modifique nunca la clavija de ninguna forma. No utilice ninguna clavija adaptadora con iluminadores que tengan conexión a tierra (puesta a tierra). La utilización de clavijas no modificadas y tomas de corriente apropiadas para las clavijas reducirá el riesgo de que se produzca una descarga eléctrica.
6. Evite tocar con el cuerpo superficies conectadas a tierra o puestas a tierra tales como tubos, radiadores, cocinas y refrigeradores. Si su cuerpo es puesto a tierra o conectado a tierra existirá un mayor riesgo de que sufra una descarga eléctrica.
7. No haga mal uso del cable. No utilice nunca el cable para transportar, arrastrar o desenchufar el iluminador. Mantenga el cable alejado del calor, aceite, bordes cortantes o partes en movimiento. Los cables dañados o enredados aumentarán el riesgo de que se produzca una descarga eléctrica.
8. Si el cable o cordón flexible externo de este iluminador se daña, deberá ser reemplazado exclusivamente por un centro de servicio autorizado para evitar riesgos.
9. No mire a la luz LED ni vea la fuente de luz directamente.

La lámpara ha sido clasificada en el Grupo 1 de riesgo.

- a) La lámpara o el sistema de lámpara cumple en exceso con el Grupo Exento y el riesgo relacionado con mirar a la luz depende de cómo los usuarios instalan y utilizan el producto;
- b) El riesgo de radiación óptica más restrictivo y otros riesgos de radiación óptica cumplen en exceso con el Grupo Exento.
- c) Montaje, instalación, mantenimiento y uso seguro apropiados, incluidas advertencias claras concernientes a las precauciones para evitar posible exposición a radiación óptica peligrosa.
- d) Consejos sobre los procedimientos de operación seguros y advertencias concernientes a negligencias, funcionamiento defectuoso y modos de fallos peligrosos razonablemente previsibles.
- e) AVISO: De este producto se emite radiación UV e IR.
- f) ADVERTENCIA: De este producto se emite radiación IR.
- g) PRECAUCIÓN: De este producto se emite radiación óptica posiblemente peligrosa.
- h) Minimice la exposición en los ojos o la piel. Utilice blindaje apropiado.
- i) Utilice blindaje apropiado o protección para los ojos.
- j) No se quede mirando a la lámpara encendida. Puede ser perjudicial para sus ojos.
- k) De la exposición puede resultar irritación de los ojos o la piel. Evite exponer los ojos.

#### **Utilización y cuidado del iluminador a batería**

1. Cargue la batería solamente con el cargador especificado por el fabricante. Un cargador que es apropiado para un tipo de cartucho de batería puede crear un riesgo de incendio cuando se utiliza con otro cartucho de batería.
2. Utilice los iluminadores solamente con los cartuchos de batería designados específicamente para ellos. La utilización de cualquier otro cartucho de batería puede crear un riesgo de heridas o un incendio.

3. Cuando el cartucho de batería no esté siendo utilizado, guárdelo alejado de otros objetos metálicos, como sujetapapeles, monedas, llaves, clavos, tornillos u otros objetos metálicos pequeños, que puedan hacer conexión entre un terminal y el otro. Si se cortocircuitan entre sí los terminales de la batería podrán producirse quemaduras o un incendio.
4. En condiciones abusivas, es posible que salga expulsado líquido de la batería; evite el contacto con él. Si se produce un contacto accidental, enjuague con agua. Si el líquido entra en los ojos, además de enjuagarlos, solicite asistencia médica. El líquido expulsado de la batería puede ocasionar irritación y quemaduras.

#### **INSTRUCCIONES DE SEGURIDAD IMPORTANTES PARA EL CARTUCHO DE BATERÍA**

1. Antes de utilizar el cartucho de batería, lea todas las instrucciones e indicaciones de precaución sobre (1) el cargador de baterías, (2) la batería, y (3) el producto con el que se utiliza la batería.
2. No desarme el cartucho de batería.
3. Si el tiempo de utilización de la batería se acorta demasiado, detenga la tarea inmediatamente. Podría resultar en un riesgo de recalentamiento, posibles quemaduras e incluso una explosión.
4. Si entra electrolito en sus ojos, aclárelos con agua limpia y acuda a un médico inmediatamente. Existe el riesgo de poder perder la vista.
5. No cortocircuite el cartucho de batería:
  - (1) No toque los terminales con ningún material conductor.
  - (2) Evite guardar el cartucho de batería en un cajón junto con otros objetos metálicos, tales como clavos, monedas, etc.
  - (3) No exponga el cartucho de batería al agua o la lluvia.
 Un cortocircuito en la batería puede producir una gran circulación de corriente, un recalentamiento, posibles quemaduras e incluso una rotura de la misma.
6. No guarde el iluminador y el cartucho de batería en lugares donde la temperatura pueda alcanzar o exceder los 50°C.
7. Nunca incinere el cartucho de batería incluso en el caso de que esté dañado seriamente o ya no sirva en absoluto. El cartucho de batería puede explotar si se arroja al fuego.
8. Tenga cuidado de no dejar caer ni golpear la batería.
9. No utilice una batería dañada.
10. Siga los reglamentos locales referentes al desecho de la batería.

#### **Consejos para alargar al máximo la vida de servicio de la batería**

1. Cargue el cartucho de batería antes de que se descargue completamente. Detenga siempre la operación del iluminador y cargue el cartucho de batería cuando note menos potencia en el iluminador.

- No cargue nunca un cartucho de batería que ya esté completamente cargado.  
La sobrecarga acortará la vida de servicio de la batería.
- Cargue el cartucho de batería a una temperatura ambiente de 10°C – 40°C. Si un cartucho de batería está caliente, déjelo enfriar antes de cargarlo.
- Cargue el cartucho de batería una vez cada seis meses si no lo utiliza durante un periodo de tiempo prolongado.

### Guarde todas las advertencias e instrucciones para futuras referencias.

## MONTAJE

### PRECAUCIÓN:

- Asegúrese siempre de que el iluminador está apagado, desenchufado, y el cartucho de batería extraído antes de realizar cualquier trabajo en el iluminador.

### Montaje del bastidor y la base (Fig. 1)

Monte la linterna de la manera siguiente:

- Retire los tornillos.
- Inserte las patas del bastidor en la base.
- Alinee los agujeros del bastidor y de la base.
- Apriételos con tornillos.

## DESCRIPCIÓN DEL FUNCIONAMIENTO

### PRECAUCIÓN:

- Asegúrese siempre de que el iluminador está apagado, desenchufado, y el cartucho de batería extraído antes de realizar cualquier ajuste o comprobación en el iluminador.

### Utilización con batería:

### Instalación o extracción del cartucho de batería

#### PRECAUCIÓN:

- Apague siempre el iluminador y desenchúfelo antes de instalar o extraer el cartucho de batería.
- Sujete el iluminador y el cartucho de batería firmemente cuando instale o extraiga el cartucho de batería.** Si no sujeta el iluminador y el cartucho de batería firmemente podrán caérsele de las manos y resultar en daños al iluminador y el cartucho de batería y heridas personales.

Para instalar el cartucho de batería, libere el bloqueo de la tapa, y abra la tapa de la batería. E inserte el cartucho de batería. Alinee la lengüeta del cartucho de batería con la acanaladura en el alojamiento y deslícelo hasta que encaje en su sitio. Insértelo a tope hasta que se bloquee en su sitio produciendo un pequeño chasquido. Después cierre la tapa de la batería. (Fig. 2)

Para retirar el cartucho de batería, deslícelo del iluminador a la vez que desliza el botón de la parte frontal del cartucho.

#### PRECAUCIÓN:

- Instale siempre el cartucho de batería completamente en su sitio. En caso contrario, podrá caerse accidentalmente del iluminador y ocasionarle heridas a usted o a alguien que esté cerca de usted.
- No instale el cartucho de batería empleando fuerza. Si el cartucho no se desliza al interior fácilmente, será porque no está siendo insertado correctamente.

### Utilización con alimentación CA:

Conecte la clavija a una toma de corriente. (Fig. 3)

### Encendido de la luz LED (Fig. 4)

Pulse el interruptor una vez, la luz brillará intensamente (modo alto). Pulse el interruptor otra vez, la luz brillará suavemente (modo bajo). Para apagar la luz, presione el interruptor otra vez.

### Sistema de protección de la batería (Fig. 5)

El iluminador está equipado con un sistema de protección de la batería para alargar la vida de la batería. Cuando a la batería le quede poca carga, las luces LED se apagarán excepto un LED (el de la segunda línea del centro). Después, tras aproximadamente cinco a diez minutos, el sistema corta la alimentación automáticamente.

## OPERACIÓN

### PRECAUCIÓN:

- Esta linterna ha sido prevista para ser utilizada en trabajo de campo. No utilice la linterna para fines domésticos.
- Ponga siempre el iluminador sobre un lugar plano y estable. De lo contrario podrá producirse un accidente debido a una caída.

### Ajuste del ángulo de la linterna (Fig. 6)

Afloje los pomos de ambos costados. Ajuste ángulo de la linterna. Después apriete los pomos otra vez.

### Utilización con trípode o mordaza (accesorios opcionales) (Fig. 7)

#### PRECAUCIÓN:

- Lea atentamente el manual de instrucciones de los accesorios antes de utilizarlos con la linterna.
- Cuando la utilice con un trípode o mordaza, no permita que la altura total exceda 1,75 m.

Puede poner la linterna en un trípode o mordaza para facilitar la operación.

## MANTENIMIENTO

### PRECAUCIÓN:

- Asegúrese siempre de que el iluminador está apagado, desenchufado, y el cartucho de batería extraído antes de intentar realizar una inspección o mantenimiento.
- No utilice nunca gasolina, bencina, disolvente, alcohol o similares. Podría producir descoloración, deformación o grietas.

Solamente el trabajo de mantenimiento descrito en este manual de instrucciones puede ser realizado por el usuario. Cualquier otro trabajo deberá ser realizado en centros de servicio autorizados por Makita.

### Limpieza

De vez en cuando, limpie el exterior del iluminador (cuerpo del iluminador) utilizando un paño humedecido en agua jabonosa.

Para mantener la SEGURIDAD y FIABILIDAD del producto, las reparaciones, cualquier otro mantenimiento o ajuste deberán ser realizados en centros de servicio autorizados por Makita, empleando siempre piezas de repuesto Makita.



## ACCESORIOS OPCIONALES

### PRECAUCIÓN:

- Estos accesorios o acoplamiento están recomendados para utilizar con el iluminador Makita especificado en este manual. La utilización de cualquier otro accesorio o acoplamiento podrá suponer un riesgo de sufrir heridas personales. Utilice los accesorios o acoplamiento solamente para el propósito que han sido diseñados.

Si necesita cualquier tipo de asistencia para conocer más detalles en relación con estos accesorios, pregunte al centro de servicio Makita local.

- Batería y cargador genuinos de Makita
- Trípode
- Mordaza
- Lámina antirreflectante

### NOTA:

- Algunos elementos de la lista podrán estar incluidos en el paquete del iluminador como accesorios de serie. Pueden variar de un país a otro.

**Explicação geral**

1 Estrutura	5 Tampa da bateria	8 Interruptor
2 Base	6 Cartucho de bateria	9 Botão
3 Parafuso	7 Ficha (a forma pode diferir de país para país)	
4 Bloqueio da tampa		






**ESPECIFICAÇÕES**

Modelo	DML805			
LED	20 x 0,6 W			
Tempo de funcionamento* (com a bateria BL1830)	(Aproximadamente) Alto: 5 horas / Baixo: 10 horas			
Fonte de alimentação	220-240 V 50-60 Hz CA ou 14,4 V / 18 V CC			
Cartucho de bateria padrão	BL1415 / BL1415N	BL1430 / BL1440 / BL1450	BL1815 / BL1815N / BL1820	BL1830 / BL1840 / BL1850
Tensão (com o funcionamento a bateria)	14,4 V		18 V	
Dimensões (C x L x A)	214 mm x 261 mm x 328 mm			
Peso líquido	2,3 kg	2,5 kg	2,4 kg	2,6 kg
Área de receção de pressão (área da lente)	0,0195 m²			

- Devido a um programa contínuo de pesquisa e desenvolvimento, estas especificações podem ser alteradas sem aviso prévio.
- As especificações e o cartucho da bateria podem diferir de país para país.
- Peso, com a bateria, de acordo com o Procedimento 01/2003 da EPTA (European Power Tool Association)
- \* Este valor é apenas demonstrativo. Ele pode variar de acordo com as condições e o ambiente da bateria.

**Símbolos**

O seguinte mostra os símbolos utilizados para a ferramenta. Certifique-se de que compreende o seu significado antes da utilização.

-  • Leia o manual de instruções.
-  • Apenas utilização em interiores
-  • Apenas para os países da União Europeia  
Não deite equipamentos elétricos nem baterias no lixo doméstico!  
Em conformidade com as Diretivas Europeias referentes à Eliminação dos equipamentos elétricos e eletrónicos e baterias e acumuladores e à eliminação de baterias e acumuladores e sua implementação de acordo com as leis nacionais, os equipamentos elétricos e as baterias e pacotes de baterias que tenham atingido o fim da sua vida útil de utilização têm de ser recolhidos separadamente e entregues em instalações de reciclagem ambientalmente compatíveis.
-  • ISOLAMENTO DUPLO
-  • Radiação ótica (UV e IV).  
Minimize a exposição dos olhos e da pele.



- Não fique a olhar para a luz de funcionamento.



- Utilize proteção apropriada ou proteção ocular.



- A fonte de luz contida nesta luminária só pode ser substituída pelo centro de assistência técnica autorizado.



- Tenha um cuidado e atenção especiais!

**IMPORTANTES INSTRUÇÕES DE SEGURANÇA**

**⚠️ AVISO:** Quando utilizar luminárias, deve seguir sempre as precauções básicas de segurança para reduzir o risco de incêndio, choque elétrico e ferimentos pessoais, incluindo o seguinte:

**LEIA TODAS AS INSTRUÇÕES.**

**⚠️ PRECAUÇÃO:**

1. Quando a luminária não está a ser utilizada, desligue-a sempre e desligue / remova o cartucho de bateria da luminária.
2. Não cubra nem tape a luminária com um pano ou cartão, etc. Cobri-la ou tapá-la pode provocar uma chama.
3. Não utilize a luminária em locais úmidos ou molhados. Não exponha a luminária à chuva ou à neve. Não lave em água.
4. Não utilize a luminária em atmosferas explosivas, como na presença de líquidos inflamáveis, gases ou poeiras.

5. As fichas da luminária têm de corresponder à tomada. Nunca modifique a ficha de nenhuma forma. Não utilize nenhuma ficha adaptadora com as luminárias com ligação à terra (massa). As fichas não modificadas e as tomadas correspondentes reduzem o risco de choque elétrico.
6. Evite o contacto do corpo com as superfícies ligadas à terra ou à massa como tubos, radiadores, frigoríficos e outros eletrodomésticos. Existe um risco alargado de choque elétrico se o seu corpo estiver ligado à terra ou à massa.
7. Tenha todo o cuidado com o cabo. Nunca utilize o cabo para transportar, puxar ou desligar a luminária. Mantenha o cabo afastado do calor, do óleo, de extremidades aguçadas ou de peças em movimento. Os cabos danificados ou embaraçados aumentam o risco de choque elétrico.
8. Se o cabo ou fio flexível externo desta luminária estiver danificado, terá de ser substituído exclusivamente pelo centro de assistência técnica autorizado para evitar um perigo.
9. Não observe a luz LED nem olhe para a fonte de luz diretamente.

A luz foi classificada como Grupo 1 de risco.

- a) A luz ou sistema da luz é superior ao Grupo de Libertação e o risco relacionado com o visualizador depende da forma como os utilizadores instalam e utilizam o produto;
- b) O maior perigo de radiação ótica restritiva e outros perigos de radiação ótica é superior ao Grupo de Libertação.
- c) A montagem, instalação e manutenção corretas e utilização segura, incluindo avisos claros referentes às precauções para evitar possível exposição a radiação ótica perigosa.
- d) Avisos sobre os procedimentos de funcionamento seguros e as precauções referentes a negligência previsíveis razoáveis, avarias e modos de falha perigosos.
- e) OBSERVAÇÃO: UV e IV emitidos deste produto.
- f) AVISO: IV emitido deste produto.
- g) PRECAUÇÃO: Possível emissão de radiação ótica perigosa deste produto.
- h) Minimize a exposição dos olhos e da pele. Utilize proteção apropriada.
- i) Utilize proteção apropriada ou proteção ocular.
- j) Não fique a olhar para a luz de funcionamento. Pode ser prejudicial para os olhos.
- k) Pode resultar irritação ocular ou da pele devido à exposição. Evite a exposição ocular.

#### **Utilização e cuidados com a bateria da luminária**

1. Recarregue a bateria só com o carregador especificado pelo fabricante. Um carregador adequado para um tipo de cartucho de bateria pode criar um risco de incêndio quando utilizado com outro cartucho de bateria.
2. Utilize luminárias apenas com cartuchos de bateria especificamente designados para elas. A utilização de outros cartuchos de bateria pode criar um risco de ferimentos e incêndio.
3. Quando o cartucho de bateria não está a ser utilizado, mantenha-o afastado de outros objetos metálicos, como cliques, moedas, chaves, pregos, parafusos ou outros objetos metálicos pequenos que possam fazer a ligação entre os terminais. Colocar os terminais da bateria em curto-circuito pode provocar queimaduras ou um incêndio.

4. Em condições abusivas, o líquido no interior das baterias pode babar; evite o contacto. Se ocorrer contacto accidental, lave com água. Se o líquido entrar em contacto com os olhos, procure ajuda médica. O líquido ejetado da bateria pode provocar irritações ou queimaduras.

#### **INSTRUÇÕES DE SEGURANÇA IMPORTANTES PARA O CARTUCHO DE BATERIA**

1. Antes de utilizar o cartucho de bateria, leia todas as instruções e etiquetas de precaução no (1) carregador de bateria, (2) bateria e (3) produto que utiliza a bateria.
2. Não desmonte o cartucho de bateria.
3. Se o tempo de funcionamento se tornar excessivamente curto, pare o funcionamento imediatamente. Pode resultar em sobreaquecimento, possíveis queimaduras e mesmo explosão.
4. Se entrar eletrólito nos seus olhos, lave-os com água limpa e consulte imediatamente um médico. Pode resultar em perda de visão.
5. Não coloque o cartucho de bateria em curto-circuito:
  - (1) Não toque nos terminais com qualquer material condutor.
  - (2) Evite guardar o cartucho de bateria juntamente com outros objetos metálicos tais como pregos, moedas, etc.
  - (3) Não exponha o cartucho de bateria à água ou chuva.
 Um curto-circuito da bateria pode provocar um enorme fluxo de corrente, sobreaquecimento, possíveis queimaduras e mesmo uma avaria.
6. Não guarde a luminária e o cartucho de bateria em locais onde a temperatura pode atingir ou exceder 50°C.
7. Não queime o cartucho de bateria mesmo que esteja estragado ou completamente gasto. O cartucho de bateria pode explodir num incêndio.
8. Tenha cuidado para não deixar cair ou dar pancadas na bateria.
9. Não utilize uma bateria danificada.
10. Siga os regulamentos locais relacionados com a eliminação das baterias.

#### **Conselhos para manter a máxima vida útil da bateria**

1. Carregue o cartucho de bateria antes que esteja completamente descarregado. Pare sempre o funcionamento da luminária e carregue o cartucho de bateria quando notar menos potência na luminária.
2. Nunca carregue um cartucho de bateria completamente carregado. Carregamento excessivo diminui a vida útil da bateria.
3. Carregue o cartucho de bateria a uma temperatura ambiente entre 10°C – 40°C. Deixe o cartucho de bateria quente arrefecer antes de o carregar.
4. Carregue o cartucho de bateria uma vez de seis em seis meses se não o utilizar durante um longo período de tempo.

#### **Guarde todos os avisos e instruções para futuras referências.**

## MONTAGEM

### PRECAUÇÃO:

- Garanta sempre que a luminária está desligada, a ficha retirada da tomada e o cartucho de bateria removido antes de efetuar qualquer trabalho na luminária.

### Montar a estrutura e a base (Fig. 1)

Monte o refletor como se segue:

1. Retire os parafusos.
2. Insira as pernas da estrutura dentro da base.
3. Alinhe os orifícios da estrutura com os da base.
4. Aperte-os com os parafusos.

## DESCRIÇÃO FUNCIONAL

### PRECAUÇÃO:

- Garanta sempre que a luminária está desligada, a ficha retirada da tomada e o cartucho de bateria removido antes de ajustar ou verificar o funcionamento da luminária.

### Utilizar com bateria:

#### Instalar ou retirar o cartucho de bateria

### PRECAUÇÃO:

- Desligue sempre a luminária e retire o cabo da ficha antes de instalar ou remover o cartucho de bateria.
- **Segure a luminária e o cartucho de bateria firmemente quando instalar ou remover o cartucho de bateria.** Se não segurar a luminária e o cartucho de bateria firmemente, eles podem escorregar-lhe da mão e resultar em danos na luminária e no cartucho de bateria e ferimentos pessoais.

Para instalar o cartucho de bateria, solte o bloqueio da tampa e abra a tampa da bateria. Para instalar o cartucho de bateria. Alinhe a lingueta no cartucho de bateria com a ranhura no alojamento e faça-o deslizar para o lugar. Insira-o até ao fim, até bloquear no lugar com um pequeno estalido. Depois, feche a tampa da bateria. (Fig. 2)

Para retirar o cartucho de bateria, faça-o deslizar da luminária enquanto desliza o botão na frente do cartucho.

### PRECAUÇÃO:

- Instale sempre no lugar o cartucho de bateria até ao fim. Caso contrário, o cartucho pode cair acidentalmente da luminária, provocando ferimentos no utilizador ou em qualquer pessoa que esteja próxima do mesmo.
- Não instale o cartucho de bateria forçando-o. Se o cartucho não deslizar com facilidade para dentro do aparelho, é porque não está a inseri-lo corretamente.

### Utilizar com alimentação de CA:

Ligue a ficha a uma fonte de alimentação. (Fig. 3)

### Ligar a luz LED (Fig. 4)

Prima o interruptor uma vez, a luz brilha com uma intensidade forte (modo alto). Prima o interruptor novamente, a luz brilha com uma intensidade média (modo baixo). Para desligar a luz, prima o interruptor mais uma vez.

### Sistema de proteção da bateria (Fig. 5)

A luminária está equipada com um sistema de proteção da bateria para aumentar a vida da bateria.

Quando a bateria começa a ficar sem carga, as luzes LED apagam-se exceto uma (a que está no centro da segunda linha). Depois, cerca de cinco a dez minutos mais tarde, o sistema corta automaticamente a corrente.

## OPERAÇÃO

### PRECAUÇÃO:

- Este refletor deve ser utilizado apenas em trabalhos de campo. Não o utilize para fins domésticos.
- Coloque sempre a luminária numa superfície estável e lisa. Caso contrário, pode ocorrer um acidente de queda da ferramenta.

### Ajustar o ângulo do refletor (Fig. 6)

Solte botão em ambos os lados. Ajuste o ângulo do refletor. Depois, aperte novamente botão.

### Utilizar com um tripé ou torno de bancada (acessórios opcionais) (Fig. 7)

### PRECAUÇÃO:

- Leia atentamente os manuais de instruções dos acessórios antes de os utilizar com o refletor.
- Quando utilizar com um tripé ou um torno de bancada, não deixe que a altura total exceda o 1,75 m.

Pode colocar o refletor no tripé ou torno de bancada para facilitar o funcionamento.

## MANUTENÇÃO

### PRECAUÇÃO:

- Garanta sempre que a luminária está desligada, a ficha retirada da tomada e o cartucho de bateria removido antes de realizar trabalhos de inspeção ou manutenção.
- Nunca utilize gasolina, benzina, diluente, álcool ou produtos semelhantes. Pode ocorrer a descoloração, deformação ou rachaduras.

Apenas o trabalho de manutenção descrito no manual de instruções pode ser realizado pelo utilizador. Os restantes trabalhos têm de ser efetuados pelos centros de assistência Makita autorizados.

### Limpeza

De tempos a tempos, limpe o exterior (caixa) da luminária utilizando um pano humedecido em água e sabão.

Para manter a SEGURANÇA e FIABILIDADE, as reparações e outras ações de manutenção ou ajustes devem ser executadas pelos Centros de assistência autorizados da Makita, utilizando sempre peças de substituição Makita.

## ACESSÓRIOS OPCIONAIS

### PRECAUÇÃO:

- Estes acessórios ou peças são recomendados para utilização com a luminária Makita especificada neste manual. A utilização de outros acessórios ou peças pode apresentar riscos de ferimentos nas pessoas. Utilize apenas acessórios ou peças para os fins indicados.

Se precisar de ajuda para obter mais informações relativas a estes acessórios, entre em contacto com o centro de assistência Makita local.

- Bateria e carregador originais Makita
- Tripé
- Torno de bancada
- Película anti-brilho

### NOTA:

- Alguns itens da lista podem estar incluídos na embalagem da luminária como acessórios padrão. Eles podem variar de país para país.

**Forklaring af general oversigt**

- |             |   |             |
|-------------|---|-------------|
| 1 Ramme     | 5 Akkudæksel  | 8 Kontakt   |
| 2 Fod       | 6 Akku  | 9 Drejeknap |
| 3 Skruer    | 7 Stik (udformningen kan variere fra land til land) |             |
| 4 Dæksellås |   |             |

**SPECIFIKATIONER**

Model	DML805			
LED-pærer	20 x 0,6 W			
Driftstid * (med akku BL1830)	(Ca.) Høj: 5 timer / Lav: 10 timer			
Strømkrav	220-240 V 50-60 Hz AC eller 14,4 V / 18 V DC			
Standard akku	BL1415 / BL1415N	BL1430 / BL1440 / BL1450	BL1815 / BL1815N / BL1820	BL1830 / BL1840 / BL1850
Spænding (ved anvendelse af akku)	14,4 V		18 V	
Mål (L x B x H)	214 mm x 261 mm x 328 mm			
Nettovægt	2,3 kg	2,5 kg	2,4 kg	2,6 kg
Tryk optagelsesområde (Linseområde)	0,0195 m <sup>2</sup>			

- På grund af vores kontinuerlige forskningsprogrammer og udvikling, kan hosstående specifikationer blive ændret uden varsel.
- Specifikationer og akku kan være forskellige fra land til land.
- Vægt inklusive akku, i henhold til EPTA-Procedure 01/2003
- \* Denne værdi er udelukkende vejledende. Den kan variere afhængigt af akkuens forhold og omgivelser.

**Symboler**

Herunder vises de symboler, der anvendes vedr. apparatet. Sæt dig ind i deres betydning inden ibrugtagningen.

- Læs brugsanvisningen.



- Kun til indendørs brug



- Gælder kun EU-lande  
Bortskaf ikke elektrisk udstyr eller akku sammen med almindeligt husholdningsaffald!

I henhold til de europæiske direktiver om elektrisk og elektronisk udstyr, om akkuer og akkumulatorer samt om akku- og akkumulatoraffald og deres implementering i overensstemmelse med nationale love, skal elektrisk udstyr og akkuer, der har udtjent deres levetid, indsamles separat og returneres til en miljøforenelig genindvindingsfacilitet.

- DOBBELT ISOLERING



- Optisk Stråling (UV og IR).  
Minimér påvirkningen af øjne og hud.



- Undlad at stirre ind i den tændte lampe.



- Brug passende afskærmning eller øjenbeskyttelse.



- Den lyskilde, som findes i denne lampe, må kun skiftes ud af et autoriseret servicecenter.



- Udvis særlig omhu og agtpågivenhed!

**VIGTIGE SIKKERHEDSINSTRUKTIONER**

**⚠ ADVARSEL:** Når du anvender lamper, skal du altid overholde de grundlæggende sikkerhedsinstruktioner, således at risikoen for brand, elektrisk stød og personskade nedsættes, herunder følgende:

**LÆS ALLE ANVISNINGER.**

**⚠ FORSIGTIG:**

1. Sluk altid lampen, når den ikke er i brug, og tag stikket ud af stikkontakten / tag akkuen ud af lampen.
2. Undlad at tildække eller blokere lampen med stof eller pap osv. Tildækning eller blokering kan medføre brandfare.
3. Brug ikke lampen i fugtige eller våde omgivelser. Udsæt ikke lampen for regn eller sne. Værktøjet må ikke afvaskes i vand.
4. Undlad at anvende lampen i eksplosive omgivelser som f.eks. på steder, hvor der findes brændbare væsker, gasser eller støv.
5. Stik til lamper skal passe til stikkontakten. Stikket må ikke på nogen måde ændres. Brug ikke adapterstik sammen med jodede (jordforbundne) lamper. Ikke-modificerede stik og dertil passende kontakter nedsætter risikoen for elektrisk stød.

6. Undgå kropskontakt med jordede eller jordforbundne overflader som f.eks. rør, radiatorer, komfurer og køleskabe. Der er forhøjet risiko for elektrisk stød, hvis din krop har jordforbindelse.
7. Udsæt ikke ledningen for overlast. Bær aldrig lampen i ledningen og træk ikke i ledningen, når du tager lampen ud af forbindelse. Hold ledningen på afstand af varme, olie, skarpe kanter og bevægelige dele. En beskadiget eller filtret ledning øger risikoen for elektrisk stød.
8. Hvis denne lampes fleksible kabel eller ledning bliver beskadiget, skal det udskiftes af et autoriseret servicecenter for at undgå farlige situationer.
9. Undlad at kigge ind i LED-lampen eller stirre direkte ind i lyskilden.

Lampen er klassificeret som tilhørende Risikogruppe 1.

- a) Lampen eller lampesystemet overstiger Fritagelsesgruppen, og risikoen for bruger afhænger af, hvordan produktet opsættes og benyttes.
- b) Den mest restriktive optiske strålingsfare og andre optiske strålingsfarer overstiger Fritagelsesgruppen.
- c) Korrekt samling, installation, vedligeholdelse og sikker brug, inkl. klare advarsler om forholdsregler til, hvordan mulig skadelig optisk stråling undgås.
- d) Råd om sikker betjening og advarsler angående fejlbetjening, funktionssvigt og farlige fejltilstande, der med rimelighed kan forudsiges.
- e) **BEMÆRKNING:** Dette produkt udstråler UV- og IR-lys.
- f) **ADVARSEL:** Dette produkt udstråler IR-lys.
- g) **FORSIGTIG:** Mulighed for farlig optisk stråling fra dette produkt.
- h) **Minimér påvirkningen af øjne og hud.** Brug passende afskærmning.
- i) Brug passende afskærmning eller øjenbeskyttelse.
- j) Undlad at stirre ind i den tændte arbejdslampe. Kan være skadeligt for øjnene.
- k) Irritation af øjne eller hud kan forekomme ved eksponering. Undgå øjeneksponering.

### Brug og vedligeholdelse af akkudrevet lampe

1. Må kun oplades med den oplader, der angives af producenten. En oplader, der er egnet til én type akku kan udgøre en brandfare, hvis den anvendes med en anden akku.
2. Brug udelukkende lamper med de dertil beregnede akkuer. Brug af andre typer akkuer kan medføre risiko for skade og brand.
3. Når akkuen ikke er i brug, bør den holdes på afstand af andre metalgenstande som f.eks. papirclips, mønter, nøgler, søm, skruer og andre små metalgenstande, der kan oprette forbindelse fra den ene terminal til den anden. Kortslutning af akkuterminalerne kan medføre forbrændinger eller brand.
4. Ved forkert anvendelse kan der udslette væske fra akkuen; undgå kontakt. Hvis du alligevel kommer i kontakt med væsken, skal du skylle med vand. Hvis du får væsken i øjnene, skal du søge lægehjælp. Væske fra akkuen kan forårsage irritation eller forbrændinger.

### VIGTIGE SIKKERHEDSINSTRUKTIONER FOR AKKU

1. Inden du tager akkuen i brug, bør du læse alle anvisninger og advarsler på (1) akku-opladeren, (2) akkuen og (3) produktet, hvori akkuen skal anvendes.
2. Akkuen må ikke skilles ad.
3. Hvis akkuens driftstid er blevet mærkbart nedsat, skal du omgående afbryde brugen. Der kan være risiko for overophedning, forbrændinger eller endog eksplosionsfare.
4. Hvis du får elektrolyt i øjnene, skal du skylle med rent vand og omgående søge lægehjælp. Elektrolyt kan medføre synstab.
5. Undlad at kortslutte akkuen:
  - (1) Børør ikke terminalerne med nogen former for ledende materialer.
  - (2) Opbevar ikke akkuen i en beholder sammen med andre metalgenstande som f.eks. søm, mønter osv.
  - (3) Udsæt ikke akkuen for vand eller regn. En kortslutning i en akku kan medføre en kraftig strømbølge, overophedning, mulige forbrændinger eller endog et nedbrud.
6. Opbevar ikke lampen og akkuen på steder, hvor temperaturen kan nå op på eller overskride 50°C.
7. Sæt ikke ild til akkuen, selv ikke hvis den er svært beskadiget eller fuldstændig brugt op. Akkuen kan eksplodere og starte en brand.
8. Pas på ikke at tabe eller støde akkuen.
9. Brug ikke en beskadiget akku.
10. Følg de lokale retningslinjer for bortskaffelse af akkuen.

### Tips til opnåelse af maksimal akkulevetid

1. Oplad akkuen, inden den bliver helt afladet. Stands altid anvendelsen af lampen og oplad akkuen, når du bemærker, at der er mindre strøm på lampen.
2. Oplad aldrig en fuldt opladet akku. Overopladning forkorter akkuens levetid.
3. Oplad akkuen ved en rumtemperatur på 10°C – 40°C. Lad en varm akku køle af, inden du oplader den.
4. Oplad akkuen én gang hvert halve år, hvis du ikke bruger den i længere tid.

### Gem alle advarsler og instruktioner, så du kan slå op i dem senere.

## SAMLING

### FORSIGTIG:

- Sørg altid for, at lampen er slukket, stikket taget ud af kontakten og akkuen taget ud, inden du udfører nogen former for arbejde på lampen.

### Samling af rammen og foden (Fig. 1)

Arbejdslampen samles på følgende måde:

1. Fjern skruerne.
2. Sæt rammens ben ned i foden.
3. Match hullerne i rammen med hullerne i foden.
4. Stram dem med skruer.

## FUNKTIONSBESKRIVELSE

### FORSIGTIG:

- Sørg altid for, at lampen er slukket, stikket taget ud af kontakten og akkuen taget ud, inden du justerer eller funktionstjekker lampen.

### Anvendelse med akku:

### Isætning eller udtagning af akku

#### FORSIGTIG:

- Sluk altid lampen og tag stikket ud af kontakten, inden du sætter akkuen i eller tager den ud.
- **Hold lampen og akkuen i et fast greb, når du sætter akkuen i eller tager den ud.** Hvis du ikke holder lampen og akkuen i et fast greb, kan de glide mellem hænderne på dig, hvilket kan medføre skade på lampen og akkuen samt personskade.

For at sætte akkuen i skal du udløse dæksellåsen og åbne akkudækslet. Indsæt akkuen. Match fugen på akkuen med rillen i akkurummet og lad patronen glide på plads. Skub den helt ind, indtil den låser med et lille klik. Luk akkudækslet. (Fig. 2)

Når du vil tage akkuen ud, skal du lade den glide ud af lampen, mens du skubber knappen på patronens forside.

#### FORSIGTIG:

- Sæt altid akkuen helt i. Hvis den ikke er sat korrekt i, kan den ved et uheld glide ud af lampen og forårsage skade på dig eller nogen i din nærhed.
- Brug ikke magt ved isætning af akkuen. Hvis patronen ikke glider nemt på plads, er den sat skævt i.

### Anvendelse med lysnet:

Sæt stikket i en stikkontakt. (Fig. 3)

### Sådan tænder du LED-lampen (Fig. 4)

Tryk én gang på kontakten, hvorefter lampen lyser kraftigt (høj indstilling). Tryk på kontakten igen, hvorefter lampen lyser med mindre styrke (lav indstilling). Når du vil slukke lampen, skal du trykke på kontakten igen.

### Akkubeskyttelsessystem (Fig. 5)

Lampen er udstyret med et akkubeskyttelsessystem, der forlænger akkulevetiden.

Når akkuen er ved at køre tørt, slukker alle LED-pærer undtagen én enkelt (den midterste på anden række). Herefter slukker systemet automatisk for strømmen ca. fem til ti minutter senere.

## BETJENING

### FORSIGTIG:

- Denne arbejdslampe er beregnet til arbejdsbrug. Lampen må ikke anvendes til husholdningsformål.
- Stil altid lampen på en plan, stabil overflade. I modsat fald kan lampen falde ned.

### Justering af arbejdslampens vinkel (Fig. 6)

Løsn drejeknapperne på begge sider. Justér arbejdslampens vinkel. Stram dernæst drejeknapperne igen.

### Brug med stativ eller skruestik (ekstraudstyr) (Fig. 7)

#### FORSIGTIG:

- Læs omhyggeligt tilbehørets brugsanvisninger, inden du bruger det sammen med arbejdslampen.
- Når du anvender et stativ eller en skruestik, må totalhøjden ikke overstige 1,75 m.

Du kan sætte arbejdslampen på et stativ eller i en skruestik for at gøre betjeningen lettere.

## VEDLIGEHOLDELSE

### FORSIGTIG:

- Sørg altid for, at lampen er slukket, at stikket er taget ud af stikkontakten og at akkuen er taget ud, inden du forsøger at udføre inspektion eller vedligeholdelse.
- Anvend aldrig benzin, rensebenzin, fortynder, alkohol og lignende. Resultatet kan blive misfarvning, deformation eller revner.

Kun vedligeholdelsesarbejde beskrevet i denne brugsanvisning bør udføres af bruger. Alt andet arbejde skal udføres af et autoriseret Makita servicecenter.

### Rengøring

Fra tid til anden bør du tørre lampens ydre (selve lampen) over med en klud fugtet med sæbevand.

For at produktet kan fortsætte med at fungere SIKKERT og STABILT, bør reparationer og al anden vedligeholdelse eller justering udføres af et autoriseret Makita servicecenter, og der bør altid anvendes originale Makita reservedele.

## EKSTRAUDSTYR

### FORSIGTIG:

- Dette tilbehør og ekstraudstyr anbefales til brug med den Makita-lampe, denne vejledning omhandler. Brug af andet tilbehør eller ekstraudstyr kan medføre risiko for personskade. Anvend kun tilbehør eller ekstraudstyr til det erklærede formål.

Hvis du har brug for hjælp eller yderligere oplysninger om dette tilbehør, kan du kontakte dit lokale Makita servicecenter.

- Makita original akku og oplader
- Stativ
- Skruestik
- Anti-refleks film

### BEMÆRK:

Nogle af emnerne på listen kan være inkluderet i pakken med lampen som standardtilbehør. Dette kan variere fra land til land.



**Περιγραφή γενικής άποψης**

1 Σκελετός	5 Κάλυμμα μπαταρίας	8 Διακόπτης
2 Βάση	6 Κασέτα μπαταρίας	9 Κουμπί
3 Βίδα	7 Φις (το σχήμα μπορεί να διαφέρει ανάλογα με τη χώρα)	
4 Κλειδωμα καλύμματος		

**ΤΕΧΝΙΚΑ ΧΑΡΑΚΤΗΡΙΣΤΙΚΑ**

Μοντέλο	DML805			
LED	20 x 0,6 W			
Χρόνος λειτουργίας* (με μπαταρία BL1830)	(Περίπου) Υψηλή: 5 ώρες / Χαμηλή: 10 ώρες			
Ηλεκτρική παροχή	220-240 V 50-60 Hz AC ή 14,4 V / 18 V DC			
Στάνταρ κασέτα μπαταρίας	BL1415 / BL1415N	BL1430 / BL1440 / BL1450	BL1815 / BL1815N / BL1820	BL1830 / BL1840 / BL1850
Τάση (με λειτουργία μπαταρίας)	14,4 V		18 V	
Διαστάσεις (Μ x Π x Υ)	214 mm x 261 mm x 328 mm			
Καθαρό βάρος	2,3 kg	2,5 kg	2,4 kg	2,6 kg
Περιοχή αποδοχής πίεσης (Περιοχή φακού)	0,0195 m <sup>2</sup>			

- Λόγω του συνεχόμενου προγράμματος που εφαρμόζουμε για έρευνα και ανάπτυξη, τα τεχνικά χαρακτηριστικά στο παρόν έντυπο υπόκεινται σε αλλαγή χωρίς προειδοποίηση.
- Οι προδιαγραφές και η κασέτα μπαταρίας μπορεί να διαφέρουν από χώρα σε χώρα.
- Βάρος, με κασέτα μπαταρίας, σύμφωνα με τη διαδικασία ΕΡΤΑ 01/2003
- \* Αυτή η τιμή είναι μόνο συμβουλευτική. Μπορεί να διαφέρει ανάλογα με τις συνθήκες και το περιβάλλον της μπαταρίας.

**Σύμβολα**

Παρακάτω παρουσιάζονται τα σύμβολα που χρησιμοποιούνται για τον εξοπλισμό. Βεβαιωθείτε ότι κατανοείτε τη σημασία τους πριν από τη χρήση.



- Διαβάστε το εγχειρίδιο οδηγιών.



- Μόνο για χρήση σε εσωτερικούς χώρους



- Μόνο για τις χώρες της ΕΕ  
Μην απορρίπτετε ηλεκτρικό εξοπλισμό ή την μπαταρία μαζί με τα οικιακά απορρίμματα!

Σύμφωνα με τις Ευρωπαϊκές Οδηγίες για τον απόβλητο ηλεκτρικό και ηλεκτρονικό εξοπλισμό και τις μπαταρίες και συσσωρευτές και τις απόβλητες μπαταρίες και συσσωρευτές και την ενσωμάτωση τους σύμφωνα με την εθνική νομοθεσία, ο ηλεκτρικός εξοπλισμός και η μπαταρία και τα πακέτα μπαταριών που έχουν φτάσει το τέλος ζωής τους πρέπει να συλλέγονται ξεχωριστά και να επιστρέφονται σε εγκαταστάσεις περιβαλλοντικά συμβατής ανακύκλωσης.

- ΔΙΓΛΗ ΜΟΝΩΣΗ



- Οπτική ακτινοβολία (UV και IR).  
Ελαχιστοποιήστε την έκθεση των ματιών και του δέρματος.



- Μην κοιτάτε τη λυχνία λειτουργίας.



- Να χρησιμοποιείτε κατάλληλη θωράκιση ή προστασία ματιών.



- Η πηγή φωτός που περιέχεται σε αυτό το φωτιστικό θα πρέπει να αντικατασταθεί αποκλειστικά σε εξουσιοδοτημένο κέντρο σέρβις.



- Απαιτείται ιδιαίτερη φροντίδα και προσοχή!

**ΣΗΜΑΝΤΙΚΕΣ ΟΔΗΓΙΕΣ ΓΙΑ ΤΗΝ ΑΣΦΑΛΕΙΑ**

**⚠️ ΠΡΟΕΙΔΟΠΟΙΗΣΗ:** Όταν χρησιμοποιείτε φωτιστικά, πρέπει να ακολουθείτε πάντοτε όλες τις βασικές προφυλάξεις για την ασφάλεια, για να μειώσετε τον κίνδυνο πυρκαγιάς, ηλεκτροπληξίας ή προσωπικού τραυματισμού, περιλαμβανομένων των εξής:

**ΔΙΑΒΑΣΤΕ ΟΛΕΣ ΤΙΣ ΟΔΗΓΙΕΣ.**

**⚠️ ΠΡΟΣΟΧΗ:**

1. Όταν το φωτιστικό δεν χρησιμοποιείται, να το απενεργοποιείτε πάντα και να βγάξετε την κασέτα μπαταρίας από το φωτιστικό.
2. Μην καλύπτετε και μην φράσσετε το φωτιστικό με πανί ή χαρτόνι, κτλ. Η κάλυψη ή το φράξιμο μπορεί να προκαλέσει φλόγα.
3. Να μη χρησιμοποιείτε το φωτιστικό σε υγραμένο ή υγρό χώρο. Μην εκθέτετε το φωτιστικό σε βροχή ή χιόνι. Μην το πλένετε σε νερό.

4. Μη χρησιμοποιείτε το φωτιστικό σε εκρηκτικές ατμόσφαιρες, όπως παρουσία εύφλεκτων υγρών, αερίων ή σκόνης.
5. Τα φως των φωτιστικών πρέπει να ταιριάζουν με την πρίζα. Μην τροποποιείτε ποτέ το φως, με οποιονδήποτε τρόπο. Μη χρησιμοποιείτε προσαρμογείς φως σε γειωμένα φωτιστικά. Τα φως που δεν έχουν τροποποιηθεί και οι πρίζες που ταιριάζουν στα φως μειώνουν το κίνδυνο πρόκλησης ηλεκτροπληξίας.
6. Αποφεύγετε την επαφή του σώματος με γειωμένες επιφάνειες, όπως σωλήνες, καλοριφέρ, φούρνους και ψυγεία. Υπάρχει αυξημένος κίνδυνος πρόκλησης ηλεκτροπληξίας αν το σώμα σας είναι γειωμένο.
7. Μην κακομεταχειρίζεστε το ηλεκτρικό καλώδιο. Μη χρησιμοποιείτε ποτέ το ηλεκτρικό καλώδιο για να μεταφέρετε ή να τραβήξετε το φωτιστικό, αλλά ούτε για να βγάλετε το φως του φωτιστικού από την πρίζα. Να διατηρείτε το ηλεκτρικό καλώδιο μακριά από τη θερμότητα, τα λάδια, τα αιχμηρά αντικείμενα και τα κινούμενα μέρη. Τα ηλεκτρικά καλώδια που έχουν υποστεί βλάβες και τα μπλεγμένα ηλεκτρικά καλώδια αυξάνουν τον κίνδυνο πρόκλησης ηλεκτροπληξίας.
8. Σε περίπτωση που το εξωτερικό εύκαμπτο καλώδιο ή ηλεκτρικό καλώδιο αυτού του φωτιστικού είναι κατεστραμμένο, θα πρέπει να αντικατασταθεί αποκλειστικά σε εξουσιοδοτημένο κέντρο σέρβις προκειμένου να αποφευχθεί τυχόν κίνδυνος.
9. Μην κοιτάτε το φως LED και μην βλέπετε την πηγής φωτός απευθείας.

Η λυχνία ταξινομήθηκε στον κίνδυνο Ομάδας 1.

- a) Η λυχνία ή το σύστημα λυχνίας δεν ανήκει στην ομάδα απαλλαγής και ο κίνδυνος που σχετίζεται με τον θεατή εξαρτάται από τον τρόπο που οι χρήστες εγκαθιστούν και χρησιμοποιούν το προϊόν.
- b) Ο πιο περιοριστικός κίνδυνος οπτικής ακτινοβολίας και άλλοι κίνδυνοι οπτικής ακτινοβολίας δεν ανήκουν στην ομάδα απαλλαγής.
- c) Απαιτείται σωστή συναρμολόγηση, εγκατάσταση, συντήρηση και ασφαλή χρήση, περιλαμβανομένων σαφών προειδοποιήσεων όσον αφορά τις προφυλάξεις, για την αποφυγή της πιθανής έκθεσης σε επικίνδυνη οπτική ακτινοβολία.
- d) Συμβουλευτείτε για τις διαδικασίες ασφαλούς λειτουργίας και προειδοποιήσεις που αφορούν εύλογα προβλέψιμες εσφαλμένες πρακτικές, δυσλειτουργίες και τρόποι λειτουργίας επικίνδυνων αποτυχιών.
- e) ΕΙΔΟΠΟΙΗΣΗ: UV και IR που εκπέμπονται από αυτό το προϊόν.
- f) ΠΡΟΕΙΔΟΠΟΙΗΣΗ: IR που εκπέμπεται από αυτό το προϊόν.
- g) ΠΡΟΣΟΧΗ: Πιθανώς επικίνδυνη οπτική ακτινοβολία που εκπέμπεται από αυτό το προϊόν.
- h) Ελαχιστοποιήστε την έκθεση των ματιών και του δέρματος. Να χρησιμοποιείτε κατάλληλη θωράκιση.
- i) Να χρησιμοποιείτε κατάλληλη θωράκιση ή προστασία ματιών.
- j) Μην κοιτάτε τη λυχνία λειτουργίας. Μπορεί να βλάψει τα μάτια.
- k) Μπορεί να προκύψει ερεθισμός ματιών ή δέρματος από την έκθεση. Να αποφεύγετε την έκθεση ματιών.

## Χρήση και φροντίδα φωτιστικού

1. Να επαναφορτίζετε την μπαταρία μόνο με το φορτιστή που καθορίζεται από τον κατασκευαστή. Ένας φορτιστής που είναι κατάλληλος για μια συγκεκριμένη κασέτα μπαταρίας μπορεί να δημιουργήσει κίνδυνο πυρκαγιάς όταν χρησιμοποιείται με μια άλλη κασέτα μπαταρίας.
2. Χρησιμοποιείτε φωτιστικά μόνο με ειδικά καθορισμένες κασέτες μπαταρίας. Η χρήση κάθε άλλης κασέτας μπαταρίας μπορεί να δημιουργήσει κίνδυνο τραυματισμού ή πυρκαγιάς.
3. Όταν δεν χρησιμοποιείται η κασέτα μπαταρίας, διατηρήστε τη μακριά από άλλα μεταλλικά αντικείμενα, όπως συνδετήρες, κέρματα, κλειδιά, καρφιά, βίδες ή άλλα μικρά μεταλλικά αντικείμενα, με τα οποία μπορεί να δημιουργηθεί σύνδεση από τον έναν ακροδέκτη στον άλλον. Το βραχυκύκλωμα των ακροδεκτών της μπαταρίας μπορεί να προκαλέσει εγκαύματα ή πυρκαγιά.
4. Υπό συνθήκες κατάχρησης, μπορεί να εξαχθεί υγρό από την μπαταρία. Να αποφεύγετε την επαφή. Αν συμβεί επαφή κατά λάθος, εκπλύνετε με νερό. Αν το υγρό έρθει σε επαφή με τα μάτια, αναζητήστε και ιατρική βοήθεια. Το υγρό που εξάγεται από την μπαταρία μπορεί να προκαλέσει ερεθισμό ή εγκαύματα.

## ΣΗΜΑΝΤΙΚΕΣ ΟΔΗΓΙΕΣ ΑΣΦΑΛΕΙΑΣ ΓΙΑ ΚΑΣΕΤΑ ΜΠΑΤΑΡΙΑΣ

1. Πριν χρησιμοποιήσετε την κασέτα μπαταρίας, διαβάστε όλες τις οδηγίες και τις ενδείξεις προφύλαξης στο (1) φορτιστή μπαταρίας, (2) την μπαταρία και (3) το προϊόν στο οποίο χρησιμοποιείται η μπαταρία.
2. Μην αποσυναρμολογήσετε την κασέτα μπαταρίας.
3. Εάν ο χρόνος λειτουργίας έχει γίνει υπερβολικά σύντομος, σταματήστε αμέσως τη λειτουργία. Αλλιώς, μπορεί να έχει ως αποτέλεσμα κίνδυνο υπερθέρμανσης, πιθανά εγκαύματα ή ακόμη και έκρηξη.
4. Αν ηλεκτρολύτης μπει στα μάτια σας, ξεπλύνετε τα με καθαρό νερό και ζητήστε ιατρική φροντίδα αμέσως. Αλλιώς, μπορεί να έχει ως αποτέλεσμα απώλεια της όρασής σας.
5. Μη βραχυκυκλώνετε την κασέτα μπαταρίας:
  - (1) Μην αγγίζετε τους πόλους με οποιονδήποτε αγώγιμο υλικό.
  - (2) Αποφεύγετε να αποθηκεύετε την κασέτα μπαταρίας σε δοχείο με άλλα μεταλλικά αντικείμενα, όπως καρφιά, νομίσματα, κτλ.
  - (3) Μην εκθέτετε την κασέτα μπαταρίας σε νερό ή βροχή.
 Ένα βραχυκύκλωμα μπαταρίας μπορεί να προκαλέσει μεγάλη ροή ρεύματος, υπερθέρμανση, πιθανά εγκαύματα ακόμη και σοβαρή βλάβη.
6. Μην αποθηκεύετε το φωτιστικό και την κασέτα μπαταρίας σε μέρη όπου η θερμοκρασία μπορεί να φτάσει ή να ξεπεράσει τους 50°C.
7. Μη καίτε την κασέτα μπαταρίας ακόμη κι αν έχει σοβαρή ζημιά ή είναι εντελώς φθαρμένη. Η κασέτα μπαταρίας μπορεί να εκραγεί στη φωτιά.
8. Προσέχετε να μη ρίξετε κάτω ή χτυπήσετε την μπαταρία.
9. Μην χρησιμοποιείτε μπαταρία που έχει υποστεί ζημιά.
10. Τηρήστε τους τοπικούς κανονισμούς που σχετίζονται με τη διάθεση της μπαταρίας.

## Συμβουλές για διατήρηση μέγιστης ζωής μπαταρίας

1. Φορτίζετε την κασέτα μπαταρίας πριν από την πλήρη αποφόρτιση της.  
Να σταματάτε πάντοτε τη λειτουργία του φωτιστικού και να φορτίζετε την κασέτα μπαταρίας όταν παρατηρήσετε μειωμένη ισχύ φωτιστικού.
2. Ποτέ μην επαναφορτίζετε μια πλήρως φορτισμένη κασέτα μπαταρίας.  
Η υπερφόρτιση μειώνει την ωφέλιμη ζωή της μπαταρίας.
3. Να φορτίζετε την κασέτα μπαταρία σε θερμοκρασία δωματίου, στους 10°C – 40°C. Αφήστε μια θερμή κασέτα μπαταρίας να κρυώσει πριν την φορτίσετε.
4. Φορτίστε την κασέτα μπαταρίας μία φορά κάθε έξι μήνες αν δεν τη χρησιμοποιείτε για μεγάλη χρονική περίοδο.

## Φυλάξτε όλες τις προειδοποιήσεις και τις οδηγίες για μελλοντική παραπομπή.

### ΣΥΝΑΡΜΟΛΟΓΗΣΗ

#### ΠΡΟΣΟΧΗ:

- Να βεβαιώνετε πάντα ότι το φωτιστικό είναι σβηστό και η κασέτα μπαταρίας έχει αφαιρεθεί πριν εκτελέσετε κάποια εργασία στο φωτιστικό.

### Συναρμολόγηση του σκελετού και της βάσης (Εικ. 1)

Συναρμολογήστε το φως εργασίας ως εξής:

1. Αφαιρέστε τις βίδες.
2. Εισαγάγετε τα πόδια του σκελετού μέσα στη βάση.
3. Ευθυγραμμίστε τις σπές του σκελετού και της βάσης.
4. Σφίξτε τα με τις βίδες.

### ΠΕΡΙΓΡΑΦΗ ΛΕΙΤΟΥΡΓΙΑΣ

#### ΠΡΟΣΟΧΗ:

- Να φροντίζετε πάντα το φωτιστικό να είναι σβηστό, να μην είναι το φως συνδεδεμένο στην πρίζα και η κασέτα μπαταρίας να έχει αφαιρεθεί, πριν από οποιαδήποτε ρύθμιση ή έλεγχο της λειτουργίας του φωτιστικού.

### Χρήση με μπαταρία:

#### Τοποθέτηση ή αφαίρεση της κασέτας μπαταρίας

#### ΠΡΟΣΟΧΗ:

- Να σβήνετε πάντα το φωτιστικό και να βγάξετε το φως από την πρίζα πριν τοποθετήσετε ή αφαιρέσετε την κασέτα μπαταρίας.
- **Κρατήστε το φωτιστικό και την κασέτα μπαταρίας σταθερά κατά την τοποθέτηση ή αφαίρεση της κασέτας μπαταρίας.** Αν δεν κρατάτε το φωτιστικό και την κασέτα μπαταρίας σταθερά μπορεί να γλιστρήσουν από τα χέρια σας και να προκληθεί βλάβη στο φωτιστικό και την κασέτα μπαταρίας και προσωπικός τραυματισμός.

Για να τοποθετήσετε την κασέτα μπαταρίας, απελευθερώστε το κλείδωμα καλύμματος και ανοίξτε το κάλυμμα μπαταρίας. Και εισαγάγετε την κασέτα μπαταρίας. Ευθυγραμμίστε τη γλωττίδα στην κασέτα μπαταρίας με την εγκοπή στο περίβλημα και σύρετέ τη στη θέση της. Να την τοποθετείτε πλήρως μέχρι να ασφαλίσει στη θέση της, γεγονός που υποδεικνύεται με ένα χαρακτηριστικό ήχο. Μετά, κλείστε το κάλυμμα μπαταρίας. (Εικ. 2)

Για να αφαιρέσετε την κασέτα μπαταρίας, σύρετέ την από το φωτιστικό ενώ σύρετε το κουμπί στο μπροστινό μέρος της κασέτας.

#### ΠΡΟΣΟΧΗ:

- Να τοποθετείτε πάντα την κασέτα μπαταρίας πλήρως στη θέση της. Σε αντίθετη περίπτωση, μπορεί να πέσει κατά λάθος από το φωτιστικό και να τραυματίσει εσάς ή κάποιον παρευρισκόμενο.
- Μην τοποθετείτε την κασέτα μπαταρίας με βία. Αν η κασέτα δεν εισέρχεται με ευκολία, δεν είναι τοποθετημένη σωστά.

### Χρήση με εναλλασσόμενο ηλεκτρικό ρεύμα:

Συνδέστε το φως στην ηλεκτρική τροφοδοσία. (Εικ. 3)

### Αναμμα της Λυχνίας LED (Εικ. 4)

Πατήστε το διακόπτη μία φορά για να ανάψει το φως φωτεινά (υψηλή λειτουργία). Πατήστε ξανά το διακόπτη, για να ανάψει το φως μέτρια (χαμηλή λειτουργία). Για απενεργοποίηση του φωτός, πατήστε το διακόπτη μία φορά ακόμη.

### Σύστημα προστασίας μπαταρίας (Εικ. 5)

Το φωτιστικό είναι εξοπλισμένο με σύστημα προστασίας της μπαταρίας για την παράταση της διάρκειας λειτουργίας της μπαταρίας.

Όταν η ισχύς της μπαταρίας είναι χαμηλή, το LED σβήνει εκτός από ένα LED (αυτό στη δεύτερη σειρά στο κέντρο). Στη συνέχεια, μετά από περίπου πέντε έως δέκα λεπτά, το σύστημα αποκτάτε αυτόματα την ισχύ.

### ΛΕΙΤΟΥΡΓΙΑ

#### ΠΡΟΣΟΧΗ:

- Το φως λειτουργίας αυτό προορίζεται για χρήση σε κατασκευαστικές εργασίες. Μην χρησιμοποιείτε αυτό το φως λειτουργίας για οικιακούς σκοπούς.
- Να τοποθετείτε πάντα το φωτιστικό σε επίπεδο και σταθερό μέρος. Διαφορετικά, μπορεί να προκύψουν ατύχημα με πτώση.

### Ρύθμιση της γωνίας του φωτός εργασίας (Εικ. 6)

Χαλαρώστε τα κουμπιά και στις δύο πλευρές. Ρυθμίστε τη γωνία του φωτός εργασίας. Μετά, σφίξτε ξανά τα κουμπιά.

### Χρήση τριπόδου ή μέγγενης (προαιρετικά αξεσουάρ) (Εικ. 7)

#### ΠΡΟΣΟΧΗ:

- Διαβάστε προσεκτικά τα εγχειρίδια οδηγιών των αξεσουάρ πριν τα χρησιμοποιήσετε με το φως λειτουργίας.
- Όταν χρησιμοποιείτε με το τρίποδο ή μέγγενη, το συνολικό ύψος δεν πρέπει να ξεπεράσει τα 1,75 μέτρα.

Μπορείτε να τοποθετήσετε το φως εργασίας στο τρίποδο ή στη μέγγενη για να διευκολύνετε τη λειτουργία.

## ΣΥΝΤΗΡΗΣΗ

### ΠΡΟΣΟΧΗ:

- Να βεβαιώνεστε πάντα ότι το φωτιστικό είναι σβηστό, αποσυνδεδεμένο από την πρίζα και η κασέτα μπαταρίας έχει αφαιρεθεί πριν επιχειρήσετε να εκτελέσετε οποιαδήποτε εργασία επιθεώρησης ή συντήρησης.
- Μην χρησιμοποιείτε ποτέ βενζίνη, πετρελαϊκό αιθέρα, διαλυτικό, αλκοόλη ή παρόμοιες ουσίες. Ενδέχεται να προκληθεί αποχρωματισμός παραμόρφωση ή ρωγμές.

Ο χρήστης μπορεί να πραγματοποιήσει μόνο τις εργασίες συντήρησης που περιγράφονται στο παρόν εγχειρίδιο οδηγιών. Οποιοσδήποτε άλλες εργασίες πρέπει να εκτελούνται από εξουσιοδοτημένα κέντρα σέρβις της Makita.

### Καθαρισμός

Περιστασιακά, σκουπίστε το εξωτερικό (σώμα φωτιστικού) του φωτιστικού με ένα πανί υγραμένο με σαπουνόνερο.

Για να διατηρείται η ΑΣΦΑΛΕΙΑ και η ΑΞΙΟΠΙΣΤΙΑ του προϊόντος, οι εργασίες επισκευής, καθώς και οποιαδήποτε άλλη εργασία συντήρησης ή ρύθμισης, θα πρέπει να εκτελούνται σε εξουσιοδοτημένα κέντρα εξυπηρέτησης της Makita, και πάντα με τη χρήση ανταλλακτικών της Makita.

## ΠΡΟΑΙΡΕΤΙΚΑ ΕΞΑΡΤΗΜΑΤΑ

### ΠΡΟΣΟΧΗ:

- Αυτά τα ανταλλακτικά ή προσαρτήματα συνιστώνται για χρήση με το φωτιστικό σας της Makita που περιγράφεται στο εγχειρίδιο αυτό. Η χρήση οποιδήποτε άλλων ανταλλακτικών ή προσαρτημάτων μπορεί να παρουσιάσουν κίνδυνο τραυματισμού σε άτομα. Χρησιμοποιήστε ανταλλακτικά ή προσαρτήματα μόνο για τον καθορισμένο σκοπό.

Αν χρειάζεστε βοήθεια ή περισσότερες λεπτομέρειες σε σχέση με αυτά τα ανταλλακτικά, ρωτήστε το τοπικό σας κέντρο εξυπηρέτησης της Makita.

- Γνήσια μπαταρία και φορτιστής της Makita
- Τρίποδο
- Μέγγενη
- Αντι-εκθαμβωτικό φιλμ

### ΠΑΡΑΤΗΡΗΣΗ:

- Μερικά στοιχεία στη λίστα μπορεί να συμπεριλαμβάνονται στη συσκευασία φωτιστικού ως στάνταρ εξαρτήματα. Μπορεί να διαφέρουν ανάλογα με τη χώρα.

**Förklaring av allmän översikt**

- |             |  |                |
|-------------|--|----------------|
| 1 Ram       | 5 Batterikåpa                                      | 8 Strömbrytare |
| 2 Underrede | 6 Batterikassett                                   | 9 Knopp        |
| 3 Skruv     | 7 Kontakt (formen kan variera mellan olika länder) |                |
| 4 Spärrlås  |  |                |

**SPECIFIKATIONER**

Modell	DML805			
LED	20 x 0,6 W			
Användningstid* (med batteri BL1830)	(Cirka) Hög: 5 timmar / Låg: 10 timmar			
Strömkälla	220–240 V 50–60 Hz växelström eller 14,4 V / 18 V likström			
Standard batterikassett	BL1415 / BL1415N	BL1430 / BL1440 / BL1450	BL1815 / BL1815N / BL1820	BL1830 / BL1840 / BL1850
Spänning (vid batterianvändning)	14,4 V		18 V	
Mått (längd x bredd x höjd)	214 mm x 261 mm x 328 mm			
Nettovikt	2,3 kg	2,5 kg	2,4 kg	2,6 kg
Tryckutsatt område (Linsområde)	0,0195 m <sup>2</sup>			

- Genom vårt kontinuerliga program för forskning och utveckling kan dessa specifikationer komma att ändras utan föregående meddelande.
- Specifikationerna och batterikassetten kan variera i olika länder.
- Vikt, med batterikassett, i enlighet med EPTA-procedur 01/2003
- \* Detta värde är endast en uppskattning. Det kan variera beroende på batteriets tillstånd och miljö.

**Symboler**

Följande symboler används för den här utrustningen. Se till att du förstår symbolernas innebörd före användningen.



- Läs bruksanvisningen.



- Får endast användas inomhus



- Gäller endast EU-länder  
Släng inte elektrisk utrustning eller batterier tillsammans med hushållssoporna!  
I enlighet med de europeiska direktiven om avfall som utgörs av elektrisk eller elektronisk utrustning, om batterier och ackumulatörer och förbrukade batterier och ackumulatörer, samt om implementeringen av direktiven i enlighet med nationella lagar, måste uttjänt elektrisk utrustning och uttjänta batterier samlas in separat och återlämnas till en återvinningsstation.



- DUBBEL ISOLERING



- Optisk strålning (UV och IR).  
Minimera exponering mot ögon eller hud.



- Titta inte rakt in i lampan.



- Använd lämplig avskärmning eller ögonskydd.



- Ljuskällan i denna lampanordning får endast ersättas av ett auktoriserat servicecenter.



- Iakttag särskild försiktighet och uppmärksamhet!

**VIKTIGA SÄKERHETSANVISNINGAR**

**⚠ VARNING:** Följ alltid grundläggande säkerhetsåtgärder vid användning av lampanordningar för att undvika risk för brand, elektriska stötar och personsador, inklusive följande:

**LÄS ALLA ANVISNINGAR.**

**⚠ VAR FÖRSIKTIG!**

1. Stäng alltid av lampanordningen och koppla från/ta ur batterikassetten från lampanordningen när den inte används.
2. Täck inte över eller täpp igen lampanordningen med tyg, kartong eller liknande när den är tänd. Det kan orsaka en brand om du täcker över eller täpper igen det.
3. Använd inte lampanordningen i fuktiga eller våta miljöer. Utsätt inte lampanordningen för regn eller snö. Tvätta det inte i vatten.
4. Använd inte lampanordningen i explosiva miljöer, till exempel i närheten av lättantändlig vätska, gas eller stoft.

5. Lampanordningens kontakter måste passa uttaget. Modifiera aldrig kontakten på något sätt. Använd inga adapterkontakter tillsammans med jordade lampanordningar. Genom att använda omodifierade kontakter och passande uttag minskar du risken för elektriska stötar.
6. Undvik kroppskontakt med jordade ytor, till exempel rör, radiatorer, spisar och kylskåp. Risken för elektriska stötar ökar om din kropp är jordad.
7. Använd inte sladden på ett felaktigt sätt. Använd aldrig sladden för att bära, dra eller koppla loss lampanordningen från eluttaget. Håll sladden borta från värme, olja, skarpa kanter eller rörliga delar. Skadade eller trassliga sladdar kan öka risken för elektriska stötar.
8. Om den externa flexibla kabeln eller sladden för denna lampanordning skadas måste den ersättas uteslutande av ett auktoriserat servicecenter för att undvika risk för fara.
9. Titta inte in i LED-lampan eller direkt in i ljuskällan.

Lampan har klassificerats som riskgrupp 1.

- a) Lampan eller lamsystemet överstiger undantagsgruppen och den användarrelaterade risken är beroende av hur användarna monterar och använder produkten.
- b) Den mest restriktiva optiska strålningsrisken samt övriga optiska strålningsrisker överstiger undantagsgruppen.
- c) Korrekt montering, installation, underhåll och säker användning, inklusive tydliga varningar avseende säkerhetsåtgärder för att undvika möjlig exponering av skadlig optisk strålning.
- d) Råd avseende säkra användningsprocedurer och varningar gällande felaktig användning, funktionsfel och riskabla felaktiga lägen som rimligen kan förutses.
- e) OBSERVERA: Den här produkten avger UV- och IR-strålning.
- f) VARNING: Den här produkten avger IR-strålning.
- g) VAR FÖRSIKTIG! Den här produkten avger optisk strålning som kan vara skadlig.
- h) Minimera exponering mot ögon eller hud. Använd lämplig avskärmning.
- i) Använd lämplig avskärmning eller ögonskydd.
- j) Titta inte rakt in i lampan. Det kan vara skadligt för ögonen.
- k) Ögon- eller hudirritation kan uppstå på grund av exponering. Undvik exponering mot ögonen.

### Användning och skötsel av den batteridrivna lampanordningen

1. Ladda endast med den laddare som anges av tillverkaren. En laddare som är lämplig för en viss typ av batterikassett kan orsaka brandrisk om den används med en annan batterikassett.
2. Använd endast lampanordningar med de avsedda batterikassetterna. Användning av andra batterikassetter kan orsaka risk för skador och brand.
3. När batterikassetten inte används ska du hålla den borta från andra metallföremål, till exempel gem, mynt, nycklar, spikar, skruvar eller andra små metallföremål, som kan skapa en anslutning från en pol till en annan. Kortslutning av batteripolerna kan orsaka brännskador eller brand.

4. Vid felaktig hantering kan vätska läcka ut från batteriet. Undvik kontakt. Spola med vatten vid oavsiktlig kontakt. Uppsök även läkarhjälp om du får vätska i ögonen. Vätska från batteriet kan orsaka irritation eller brännskador.

### VIKTIGA SÄKERHETSANVISNINGAR FÖR BATTERIKASSETT

1. Innan du använder batterikassetten ska du läsa igenom alla anvisningar och all varningsinformation på (1) batteriladdaren, (2) batteriet och (3) produkten som använder batteriet.
2. Montera inte isär batterikassetten.
3. Upphör genast användningen om driftstiden skulle minska kraftigt. Det kan orsaka risk för överhettning, brännskador och till och med explosion.
4. Om du får elektrolyt i ögonen ska du skölja av med rent vatten och uppsöka läkarhjälp omedelbart. Det kan leda till synförlust.
5. Kortslut inte batterikassetten:
  - (1) Vidrör inte polerna med något ledande material.
  - (2) Undvik att förvara batterikassetten i en behållare med andra metallföremål, till exempel spikar, mynt eller liknande.
  - (3) Utsätt inte batterikassetten för vatten eller regn. Om batteriet kortsluts kan det orsaka starka strömflöden, överhettning, risk för brännskador och maskinfel.
6. Förvara inte lampanordningen och batterikassetten på platser med temperaturer som kan uppgå till 50°C eller mer.
7. Bränn inte upp batterikassetten även om den är skadad eller fullständigt utsliten. Batterikassetten kan explodera vid kontakt med eld.
8. Var försiktig så att du inte tappar eller stöter till batteriet.
9. Använd inte ett skadat batteri.
10. Följ de lokala föreskrifterna för kassering av batterier där du bor.

### Tips på hur du kan maximera batteriets livstid

1. Ladda batterikassetten innan den laddas ur fullständigt. Avbryt alltid användningen av lampanordningen och ladda batterikassetten när du upptäcker att batteriet börjar ta slut.
2. Ladda aldrig om en fulladdad batterikassett. Överladdning förkortar batteriets livstid.
3. Ladda batterikassetten vid en rumstemperatur på 10°C – 40°C. Låt batterikassetten svalna om den är varm innan du laddar den.
4. Ladda batterikassetten en gång var sjätte månad om du inte använder den under en längre period.

### Spara alla varningar och anvisningar för framtida bruk.

## MONTERING

### VAR FÖRSIKTIG!

- Se alltid till att lampanordningen är avstängd och fränkopplad och att batterikassetten har tagits ur innan du utför något arbete på lampanordningen.

### Montera ramen och underredet (Fig. 1)

Montera arbetslampan enligt följande:

1. Ta loss skruvarna.
2. Sätt i benen på ramen i underredet.
3. Rikta in hålen på ramen och underredet.
4. Sätt fast dem med skruvarna.

## FUNKTIONSBESKRIVNING

### VAR FÖRSIKTIG!

- Se alltid till att lampanordningen är avstängd och fränkopplad, och att batterikassetten har tagits ur, innan justering eller kontroll av lampanordningens funktion görs.

### Användning med batteri:

#### Sätta i eller ta ur batterikassetten

##### VAR FÖRSIKTIG!

- Stäng alltid av lampanordningen och koppla från den innan du sätter i eller tar ur batterikassetten.
- **Håll stadigt i lampanordningen och batterikassetten när du sätter i eller tar ur batterikassetten.** Om du inte håller stadigt i lampanordningen och batterikassetten kan du tappa greppet om dem, vilket kan orsaka skador på lampanordningen och batterikassetten och även personskadorna.

För att sätta i batterikassetten, läs upp spärrlåset och öppna batterikåpan. Sätt därefter i batterikassetten. Rikta in tungan på batterikassetten mot skåran i kåpan och skjut in den på plats. Skjut in den hela vägen tills den låses på plats med ett litet klick. Stäng sedan batterikåpan. (Fig. 2)

Ta ur batterikassetten genom att skjuta den bort från lampanordningen samtidigt som du håller in knappen på framsidan av kassetten.

### VAR FÖRSIKTIG!

- Sätt alltid i batterikassetten helt och hållet. I annat fall kan den falla ur lampanordningen och orsaka skador på dig själv eller någon annan i närheten.
- Sätt inte i batterikassetten med våld. Om kassetten inte glider in lätt har den inte satts i korrekt.

### Användning med nätström:

Anslut kontakten till ett nätuttag. (Fig. 3)

### Tända LED-lampan (Fig. 4)

Tryck på strömbrytaren en gång: lampan lyser starkt (läget Hög). Tryck på strömbrytaren igen: lampan lyser svagt (läget Låg). Tryck på strömbrytaren en gång till för att stänga av lampan.

### System för skydd av batteriet (Fig. 5)

Den här lampanordningen är utrustad med ett system för skydd av batteriet för att förlänga batteriets livstid. När batteriet blir svagt slocknar alla LED-lampor utom en (LED-lampan på den andra raden i mitten). Därefter, när cirka fem till tio minuter har passerat, stängs strömmen till systemet av automatiskt.

## ANVÄNDNING

### VAR FÖRSIKTIG!

- Den här arbetslampan är avsedd för arbetsplatser. Använd inte arbetslampan för hushållsbruk.
- Ställ alltid lampanordningen på en jämn och stabil yta. Annars kan en fallolycka uppstå.

### Justera vinkeln på arbetslampan (Fig. 6)

Lösa på knapparna på bägge sidorna. Justera vinkeln på arbetslampan. Dra sedan åt knapparna igen.

### Användning med stativ eller skruvtving (extra tillbehör) (Fig. 7)

#### VAR FÖRSIKTIG!

- Läs noggrant igenom bruksanvisningarna för tillbehören innan du använder dem med arbetslampan.
- Låt inte totalhöjden överstiga 1,75 m under användning med stativ eller skruvtving.

Du kan ställa arbetslampan på ett stativ eller fästa den med en skruvtving för att underlätta användningen.

## UNDERHÅLL

### VAR FÖRSIKTIG!

- Se alltid till att lampanordningen är avstängd och fränkopplad, och att batterikassetten har tagits ur, innan du utför kontroll eller underhåll.
- Använd aldrig bensen, ren bensen, thinner, alkohol eller liknande. Det kan resultera i missfärgning, deformation eller sprickor.

Endast det underhållsarbete som finns beskrivet i den här bruksanvisningen får utföras av användaren. Allt annat arbete måste utföras av Makita- auktoriserade servicecenter.

### Rengöring

Då och då bör du torka av lampanordningens utsida (lampanordningskroppen) med en trasa som fuktats med såpvatten.

För att upprätthålla produktens SÄKERHET och PÅLITLIGHET bör alla reparationer och allt annat underhålls- eller justeringsarbete utföras av ett Makita- auktoriserat servicecenter och reservdelar från Makita ska alltid användas.

## EXTRA TILLBEHÖR

### VAR FÖRSIKTIG!

- Dessa tillbehör och tillsatser rekommenderas att användas tillsammans med den Makita-lampanordning som anges i denna bruksanvisning. Om några andra tillbehör eller tillsatser används kan det orsaka risk för personskadorna. Använd endast tillbehören eller tillsatserna till det de är avsedda för.

Kontakta ditt lokala Makita-servicecenter om du behöver hjälp eller mer detaljerad information om dessa tillbehör.

- Makita originalbatteri och laddare
- Stativ
- Skruvtving
- Antireflexfilm

### OBS

- Vissa föremål i listan kanske ingår som standardtillbehör till lampanordningen. Detta kan variera mellan olika länder.

**Forklaring av generell oversikt**

1 Ramme	5 Batterideksel	8 Bryter
2 Sokkel	6 Batteripakke	9 Knott
3 Skruer	7 Plugg (formen kan variere fra land til land)	
4 Deksellås		

**SPESIFIKASJONER**

Modell	DML805			
LED	20 x 0,6 W			
Brukstid* (med batteri BL1830)	(Omtrentlig) Høy: 5 timer / lav: 10 timer			
Strømkilde	220–240 V 50–60 Hz AC eller 14,4 V / 18 V DC			
Standard batteripakke	BL1415 / BL1415N	BL1430 / BL1440 / BL1450	BL1815 / BL1815N / BL1820	BL1830 / BL1840 / BL1850
Spenning (med batteridrift)	14,4 V		18 V	
Mål (L x B x H)	214 mm x 261 mm x 328 mm			
Nettvekt	2,3 kg	2,5 kg	2,4 kg	2,6 kg
Trykkmottaksområde (linseområde)	0,0195 m²			

- Vårt kontinuerlige forsknings- og utviklingsprogram kan føre til at disse spesifikasjonene kan bli endret uten varsel.
- Spesifikasjoner og batterikassett kan være forskjellig fra land til land.
- Vekt med batterikassett, i samsvar med EPTA prosedyre 01/2003
- \* Denne verdien er kun veiledende. Dette kan variere med tilstanden og omgivelsene for batteriet.

**Symboler**

Følgende viser symbolene som brukes for utstyret. Sørg for at du forstår hva de betyr før bruk.



- Les bruksanvisningen.



- Kun innendørs bruk



- Kun for EU-land  
Ikke kast elektrisk utstyr eller batteripakken sammen med husholdningsavfall!  
I samsvar med de europeiske direktivene om avhending av elektrisk og elektronisk utstyr og om batterier og akkumulatører og avhending av batterier og akkumulatører samt deres implementasjon i henhold til nasjonal lovgivning, må elektrisk utstyr og batterier som har nådd slutten av sin levetid, samles inn separat og leveres til et miljøansvarlig resirkuleringsanlegg.



- DOBBEL ISOLASJON



- Optisk stråling (UV og IR).  
Minimer eksponeringen for øynene eller huden.



- Ikke stirr på lampen under bruk.



- Bruk egnede vern eller øyebeskyttelse.



- Lyskilden i denne lampen skal bare skiftes ut av et autorisert servicesenter.



- Vær ytterst forsiktig og oppmerksom!

**VIKTIGE SIKKERHETSINSTRUKSJONER**

**⚠ ADVARSEL:** Grunnleggende forsiktighetsregler må alltid følges ved bruk av lampe for å redusere faren for brann, elektrisk støt og personskade, inkludert følgende:

**LES ALLE INSTRUKSJONENE.**

**⚠ FORSIKTIG:**

1. Slå alltid av lampen når den ikke er i bruk, og plugg ut / fjern batteripakken fra lampen.
2. Ikke dekk til eller tett igjen lampen med klut eller kartong e.l. Tildekking eller tetting kan resultere i ild.
3. Lampen må ikke brukes på fuktige eller våte steder. Ikke utsett lampen for regn eller snø. Ikke vask det i vann.
4. Ikke bruk lampen i eksplosjonsfarlige omgivelser, for eksempel i nærheten av brennbare væsker, gasser eller støv.
5. Pluggene til lampen må passe til stikkkontakten. Aldri modifierer pluggen på noen som helst måte. Ikke bruk adapterpluggen med jordede lamper. Umodifiserte pluggen og samsvarende stikkontakter reduserer faren for elektrisk støt.
6. Unngå kroppskontakt med jordede flater som rør, radiatorer, ovner og kjøleskap. Faren for elektrisk støt øker dersom kroppen din er jordet.



7. Ikke misbruk ledningen. Aldri bruk ledningen til å bære, trekke eller plugge fra lampen. Hold ledningen unna varme, olje, skarpe kanter og deler i bevegelse. En ledning som er skadet eller heftet, kan øke faren for elektrisk støt.
8. Hvis den eksterne fleksible kabelen eller ledningen til denne lampen er skadet, må den skiftes ut av et autorisert servicesenter for å unngå fare.
9. Ikke se i LED-lampen eller se direkte på lyskilden.

Lampen er klassifisert i risikogruppe 1.

- a) Lampen eller lampesystemet er utenfor unntaksgruppen, og tilskuerrelatert risiko avhenger av hvordan brukerne installerer og bruker produktet.
- b) Den mest restriktive optiske strålingsfaren og andre optiske strålingsfarer utenfor unntaksgruppen.
- c) Riktig montering, installasjon, vedlikehold og trygg bruk, inkludert tydelige advarsler om forholdsregler for å unngå mulig eksponering for farlig optisk stråling.
- d) Råd om trygge bruksprosedyrer og advarsler angående rimelig forutsigbar feilbruk, feilfunksjoner og farlige feilmoduser.
- e) MERKNAD: UV og IR utstråles fra dette produktet.
- f) ADVARSEL: IR utstråles fra dette produktet.
- g) FORSIKTIG: Mulig farlig optisk stråling utstråles fra dette produktet.
- h) Minimer eksponeringen for øynene eller huden. Bruk egnede vern.
- i) Bruk egnede vern eller øyebeskyttelse.
- j) Ikke stirr på lampen i bruk. Det kan være skadelig for øynene.
- k) Eksponering kan føre til øye- eller hudirritasjon. Unngå øyeeksponering.

### Bruk og stell av batterilamper

1. Bare lad opp med laderen som er spesifisert av produsenten. En lader som er egnet for én type batteripakke, kan utgjøre en brannfare når den brukes med en annen batteripakke.
2. Bare bruk lamper med spesifikt utvalgte batteripakker. Bruk av andre batteripakker kan gi fare for personskade og brann.
3. Når batteripakken ikke er i bruk, må den holdes unna metallgjenstander som binderser, mynter, nøkler, spiker, skruer og andre små metallgjenstander som kan danne en forbindelse fra én terminal til en annen. Kortslutning av batteriterminalene kan føre til brannskader eller brann.
4. Under grove forhold, kan det komme væske ut av batteriet; unngå kontakt. Hvis det oppstår utilsiktet kontakt, må du skylle med vann. Hvis det kommer væske i øynene, må du i tillegg søke legehjelp. Væske som kommer ut av batteriet, kan gi irritasjoner eller brannskader.

### VIKTIGE SIKKERHETSINSTRUKSJONER FOR BATTERIPAKKE

1. Før batteripakken tas i bruk, må du lese alle instruksjoner og forholdsregler på (1) batteriladeren, (2) batteriet og (3) produktet som bruker batteriet.
2. Ikke demonter batteripakken.
3. Hvis brukslevetiden har blitt betydelig kortere, må du opphøre bruken øyeblikkelig. Det kan gi fare for overoppheting, mulig brannskade og til og med eksplosjon.
4. Hvis du får elektrolytt i øynene, må du skylle med rent vann og tilkalle legehjelp med en gang. Du kan miste synet.
5. Ikke kortslett batteripakken:
  - (1) Ikke berør terminalene med ledende materialer.
  - (2) Unngå å lagre batteripakken i en beholder med andre metallgjenstander som spikre, mynter e.l.
  - (3) Ikke utsett batteripakken for vann eller regn. En kortslutning av batteriet kan forårsake kraftig strøm, overoppheting, mulig brannskade og til og med ødeleggelse.
6. Ikke oppbevar lampen og batteripakken på steder der temperaturen kan nå eller overstige 50°C.
7. Ikke brenn batteripakken selv om den er svært skadet eller helt oppbrukt. Batteripakken kan eksplodere i en brann.
8. Vær forsiktig så batteriet ikke faller eller blir slått borti.
9. Ikke bruk et skadet batteri.
10. Følg lokale forskrifter for avhending av batteri.

### Tips for å opprettholde maksimal batterilevetid

1. Lad batteripakken før den er helt utladet. Opphør alltid bruken av lampen og lad batteripakken når du legger merke til at lampen har mindre effekt.
2. Aldri lad opp en fullt oppladet batteripakke. Overoppladning forkorter batteriets levetid.
3. Lad batteripakken i en romtemperatur på 10°C – 40°C. La en varm batteripakke kjøles av før den lades.
4. Lad batteripakken én gang hvert halvår hvis du ikke bruker den i en lengre tidsperiode.

### Ta vare på alle advarsler og instruksjoner for fremtidig referanse.

## MONTERING

### FORSIKTIG:

- Kontroller alltid at lampen er slått av og plagget fra og at batteripakken er fjernet før arbeid på lampen utføres.

### Montering av rammen og sokkelen (Fig. 1)

Monter arbeidslampen slik:

1. Fjern skruene.
2. Sett bena til rammen inn i sokkelen.
3. Rett inn hullene i rammen og sokkelen i forhold til hverandre.
4. Stram dem med skruene.

## FUNKSJONS BESKRIVELSE

### FORSIKTIG:

- Kontroller alltid at lampen er slått av og plagget fra og at batteripakken er fjernet før du justerer eller kontrollerer funksjoner på lampen.

### Bruk med batteri:

#### Sette inn eller ta ut batteripakken

### FORSIKTIG:

- Slå alltid av og plugg fra lampen før batteripakken settes inn eller tas ut.
- **Hold et fast grep på lampen og batteripakken når batteripakken settes inn eller tas ut.** Hvis ikke lampen og batteripakken holdes i fast grep, kan de gli ut av hendene og føre til skade på lampen og batteripakken samt gi personskaade.

Når batteripakken skal monteres, løsner du deksellåsen og åpner batteridekselet. Og setter inn batteripakken. Rett inn tungen på batteripakken i forhold til sporet i huset, og skyv den på plass. Sett den helt inn til den låses på plass med et lite klink. Lukk så batteridekselet. (Fig. 2)

Når du skal ta ut batteripakken, skyver du den fra lampen samtidig med at knappen foran på pakken skyves.

### FORSIKTIG:

- Sett alltid batteripakken ordentlig på plass. Hvis ikke, kan den falle ut av lampen og skade deg eller noen i nærheten.
- Ikke tving batteripakken inn. Hvis pakken ikke enkelt lar seg skyve inn, settes den ikke inn på riktig måte.

### Bruk med vekselstrøm:

Koble pluggen til en strømforsyning. (Fig. 3)

### Slå på LED-lampen (Fig. 4)

Trykk på bryteren én gang, og lampen lyser kraftig (høy modus). Trykk på bryteren én gang til, og lampen lyser svakere (lav modus). For å slå av lampen, trykker du på bryteren enda en gang.

### Batteribeskyttelsessystem (Fig. 5)

Lampen er utstyrt med et batteribeskyttelsessystem for å forlenge batterilevetiden.

Når batteriet blir svakt, slukkes LED-lampene bortsett fra én lysdiode (den på andre linje i midten). Deretter slår systemet automatisk av strømmen etter rundt fem til ti minutter.

## BRUK

### FORSIKTIG:

- Denne arbeidslampen er beregnet på bruk til arbeid i felten. Ikke bruk arbeidslampen til husholdningsformål.
- Legg alltid lampen på et flatt og stabilt underlag. Ellers kan det forekomme fallskade.

### Justere vinkelen på arbeidslampen (Fig. 6)

Løsne knottene på begge sidene. Juster vinkelen på arbeidslampen. Stram deretter knottene igjen.

### Bruke med stativ eller klembøyle (tilleggsutstyr) (Fig. 7)

### FORSIKTIG:

- Les bruksanvisningene til tilbehøret nøye før du bruker det med arbeidslampen.
- Ved bruk med stativ eller klembøyle må ikke den totale høyden overstige 1,75 m.

Du kan sette arbeidslampen på stativet eller i klembøylen for å forenkle bruken.

## VEDLIKEHOLD

### FORSIKTIG:

- Vær alltid sikker på at lampen er slått av og plagget fra og at batteripakken er fjernet før du utfører inspeksjon eller vedlikehold.
- Bruk aldri bensin, rensbensin, tynner, alkohol eller lignende. Det kan føre til misfarging, deformasjon eller sprekkdannelse.

Bare vedlikeholdsarbeid som beskrives i denne bruksanvisningen kan utføres av brukeren. Alt annet arbeid må utføres av autoriserte Makita-servicesentre.

### Rengjøring

Fra tid til annen bør utsiden av lampen (lampehuset) tørkes av med en klut fuktet i såpevann.

For å opprettholde produktets SIKKERHET og PÅLITELIGHET, må reparasjoner, all annen vedlikehold og justering utføres av autoriserte Makita-servicesentre, og det må bare brukes reservedeler fra Makita.

## TILLEGGSTUTYR

### FORSIKTIG:

- Dette tilleggsutstyret eller disse tilslutningene anbefales for bruk med Makita-lampen som er spesifisert i denne håndboken. Bruk av annet tilleggsutstyr eller andre tilslutninger kan gi fare for personskaade. Bare bruk tilleggsutstyr eller tilslutninger til det de er beregnet til. Hvis du trenger hjelp og mer informasjon om dette tilleggsutstyret, kan du ta kontakt med ditt lokale Makita-servicesenter.

- Ekte Makita-batteri og -lader
- Stativ
- Klembøyle
- Refleksfilm

### MERK:

- Enkelte artikler på listen kan være inkludert i lampekassen som standard tilbehør. De kan variere fra land til land.

**Yleisselostus**

1 Runko	5 Akun kansi	8 Kytkin
2 Jalusta	6 Akkukenno	9 Nuppi
3 Ruuvi	7 Pistoke (muoto saattaa vaihdella maakohtaisesti)	
4 Kannen lukko		

**TEKNISET TIEDOT**

Malli	DML805			
LED	20 x 0,6 W			
Käyttöaika* (akku BL1830)	(likimäärin) kirkkain: 5 tuntia / alhaisin: 10 tuntia			
Virtalähde	220–240 V 50–60 Hz AC tai 14,4 V / 18 V DC			
Vakio akkukenno	BL1415 / BL1415N	BL1430 / BL1440 / BL1450	BL1815 / BL1815N / BL1820	BL1830 / BL1840 / BL1850
Jännite (akkukäytöllä)	14,4 V		18 V	
Mitat (P x L x K)	214 mm x 261 mm x 328 mm			
Nettopaino	2,3 kg	2,5 kg	2,4 kg	2,6 kg
Paineen vastaanottava alue (linssin alue)	0,0195 m <sup>2</sup>			

- Jatkuvan tuotekehitystoimintamme takia tässä esitetyt tekniset tiedot voivat muuttua ilman eri ilmoitusta.
- Tekniset tiedot ja akkuyksikkö voivat olla erilaisia maasta riippuen.
- Paino akkuyksikön kanssa, EPTA-menetelyn 01/2003 mukaan
- \* Tämä arvo on vain ohjeellinen. Saattaa vaihdella akun kunnon ja ympäristön mukaan.

**Symbolit**

Laitteessa on käytetty seuraavia symboleita. Varmista, että ymmärrät niiden merkityksen ennen kuin käytät laitetta.



- Lue käyttöopas.



- Vain sisäkäyttöön



- Vain EU-maat  
Älä hävitä sähkölaitteita tai akkuja kotitalousjätteen mukana!  
Sähkö- ja elektroniikkaromua sekä paristoja ja akkuja koskevan eurooppalaisen direktiivin ja sen kansallisen lainsäädännön mukaisen sovelluksen perusteella on elinkaaren loppuun tulleet sähkölaitteet, akut ja akkukennot kerättävä erikseen ja toimitettava ympäristöystävälliseen kierrätykseen.



- KAKSINKERTAINEN ERISTYS



- Optinen säteily (UV ja IR).  
Minimoi silmien ja ihon altistuminen.



- Älä tuijota käytössä olevaa lampua.



- Käytä asianmukaista suojasta tai suojalaseja.



- Tämän valaisimen lampun saa vaihtaa ainoastaan valtuutettu huoltoliike.



- Ole erityisen huolellinen ja varovainen!

**TÄRKEITÄ TURVAOHJEITA**

**VAROITUS:** Valaisimia käytettäessä tulee aina noudattaa perusturvallisuustoimenpiteitä, jotta tulipalon, sähköiskun ja henkilövaurioiden määrää voitaisiin vähentää. Näihin toimenpiteisiin kuuluvat seuraavat:

**LUE KAIKKI OHJEET.**

**HUOMIO:**

1. Kytke valaisin pois päältä ja katkaise virta/poista akkukenno valaisimesta, kun sitä ei käytetä.
2. Älä peitä tai tuki valaisinta liinalla, pahvilla jne. Peittäminen tai tukkiminen saattaa aiheuttaa liekkejä.
3. Älä käytä valaisinta kosteissa tai märissä paikoissa. Älä altista valaisinta sateelle tai lumelle. Älä pese sitä vedellä.
4. Älä käytä valaisinta räjähdysalttiissa tiloissa, kuten helposti syttyvien nesteiden, kaasujen tai pölyn läheisyydessä.
5. Valaisimen pistokkeiden tulee sopia pistorasiaan. Älä muuta pistoketta millään tavalla. Älä käytä mitään sovitinpistokkeita maadoitettujen valaisimien kanssa. Muuttamattomat pistokkeet ja niihin sopivat pistorasiat vähentävät sähköiskun vaaraa.
6. Vältä koskettamasta maadoitettuja pintoja, kuten putkia, pattereita, liesiä tai jääkaappeja. Sähköiskun vaara kasvaa, jos kehosi on maadoitettu.

7. Älä käytä verkkojohtoa väärin. Älä käytä sitä kantamiseen, ripustamiseen tai valaisimen pistokkeen irrottamiseen. Pidä johto loitolla kuumuudesta, öljystä, terävistä reunoista ja liikkuvista osista. Vahingoittuneet tai sotkeutuneet johdot kasvattavat sähköiskun vaaraa.
8. Jos valaisimen ulkoinen taipuisa kaapeli tai johto vaurioituu, ainoastaan valtuutettu huoltoliike saa vaihtaa sen vaarojen välttämiseksi.
9. Älä katso suoraan LED-valoon tai valonlähteeseen.

Lamppu on luokiteltu riskiryhmään 1.

- a) Lamppu tai lamppujärjestelmä on vapautetun ryhmän ulkopuolella, ja katsojaan kohdistuvat riskit riippuvat siitä, miten käyttäjät asentavat ja käyttävät tuotetta;
- b) Rajoittavimman optisen säteilyn vaara ja muut optiset säteilyvaarat ovat vapautetun ryhmän ulkopuolella.
- c) Oikea kokoaminen, asennus, huolto ja turvallinen käyttö, mukaan lukien selkeät varoitukset, jotka koskevat varotoimia mahdollista vaaralliselle optiselle säteilylle altistumista vastaan.
- d) Neuvoja turvallisen käytön menettelytavoista ja varoituksia koskien kohtuudella ennakoitavissa olevia väärinkäyttöjä, toimintahäiriöitä ja vaarallisia vikatiljoja.
- e) HUOMAUTUS: Tuotteesta tulee UV- ja IR-säteilyä.
- f) VAROITUS: Tuotteesta tulee IR-säteilyä.
- g) HUOMIO: Tuotteesta tulee mahdollisesti vaarallista optista säteilyä.
- h) Minimoi silmien ja ihon altistuminen. Käytä asianmukaista suojausta.
- i) Käytä asianmukaista suojausta tai suojalaseja.
- j) Älä tuljota käytössä olevaa lamppua. Se saattaa vaurioittaa silmiä.
- k) Altistumisesta saattaa seurata silmä- tai ihoärsytystä. Vältä silmien altistumista.

#### **Akkuväläisimen käyttö ja kunnossapito**

1. Lataa vain valmistajan määrittämällä laturilla. Laturi, joka soveltuu yhden tyyppiselle akkukennolle saattaa aiheuttaa tulipalovaaran, jos sitä käytetään muille akkukennolle.
2. Käytä väläisimia vain niihin tarkoitettujen akkukentöjen kanssa. Kaikkien muiden akkukentöjen käyttö saattaa aiheuttaa henkilövahingon tai tulipalon vaaran.
3. Kun akkukentö ei ole käytössä, pidä se erillään metalliesineistä, kuten paperiliittimet, kolikot, avaimet, naulat, ruuvit tai muut pienet metalliesineet, jotka voivat yhdistää akun navat toisiinsa. Napojen yhdistyminen saattaa aiheuttaa palovammoja tai tulipalon.
4. Väärästä käytöstä johtuen akusta voi valua nestettä; älä koske siihen. Jos sitä kuitenkin pääsee vahingossa iholle, huuhtelee vedellä. Jos nestettä pääsee silmiin, hakeudu lääkäriin hoitoon. Akusta valuva neste saattaa ärsyttää ihoa tai aiheuttaa palovammoja.

#### **AKKUKENNOA KOSKEVIA TÄRKEITÄ TURVAOHJEITA**

1. Lue kaikki ohjeet ja varoituserkinnät (1) laturista, (2) akusta ja (3) akkua käyttävästä laitteesta ennen kuin käytät akkukentöä.
2. Älä pura akkukentöä.
3. Jos toiminta-aika on muuttunut liian lyhyeksi, lopeta käyttäminen välittömästi. Se saattaa aiheuttaa ylikuumenemisvaaran, mahdollisia palovammoja ja jopa räjähdysten.
4. Jos elektrolyyttiä pääsee silmiin, huuhtelee puhtaalla vedellä ja hakeudu heti lääkäriin hoitoon. Se saattaa aiheuttaa näkökyvyn menettämisen.
5. Älä oikosulje akkukentöä:
  - (1) Älä koske napoihin millään johtavalla materiaalilla.
  - (2) Vältä akkukentöän säilyttämistä paikassa, jossa on muita metalliesineitä, kuten nauvoja, kolikoita jne.
  - (3) Älä altista akkukentöä vedelle tai sateelle. Akun oikosulku saattaa aiheuttaa korkean virran, ylikuumenemisen, mahdollisia palovammoja ja jopa akun rikkoutumisen.
6. Älä säilytä väläisintä ja akkukentöä paikoissa, joissa lämpötila saattaa nousta 50°C-asteeseen tai yli.
7. Älä polta akkukentöä vaikka se olisi pahasti vaurioitunut tai täysin loppuun käytetty. Akkukentö voi räjähtää tulussa.
8. Varo pudottamasta tai kolhimasta akkua.
9. Älä käytä vaurioitunutta akkua.
10. Noudata akun hävittämässä paikallisia määräyksiä.

#### **Vinkejä mahdollisimman pitkän akun käyttöäin säilyttämiseksi**

1. Lataa akkukentö ennen kuin se on kokonaan purkautunut. Lopeta aina väläisimen käyttö ja lataa akkukentö, kun huomaat väläisimen tehon heikentyneen.
2. Älä koskaan lataa täyteen ladattua akkukentöä. Yiilataaminen lyhentää akun käyttöikää.
3. Lataa akkukentö lämpötilassa 10°C – 40°C. Anna kuumen akkukentöin jäähtyä ennen kuin lataat sen.
4. Lataa akkukentö kuuden kuukauden välein, vaikka et käyttäisi sitä pitkään aikaan.

#### **Säästä kaikki varoitukset ja ohjeet tulevia tarpeita varten.**

## KOKOAMINEN

### HUOMIO:

- Varmista aina, että valaisin on kytketty pois päältä, irrotettu virrasta ja akkukkenno on poistettu ennen kuin teet mitään toimenpiteitä valaisimelle.

### Rungon ja jalustan kokoaminen (kuva 1)

Kokoa työvalo seuraavasti:

1. Irrota ruuvit.
2. Työnnä rungon jalat jalustaan.
3. Kohdista rungon ja jalustan reiät.
4. Kiristä ne ruuveilla.

## TOIMINTOJEN KUVAUS

### HUOMIO:

- Varmista aina, että valaisin on kytketty pois päältä, irrotettu virrasta ja akkukkenno on poistettu ennen kuin säädät tai tarkistat valaisimen toimintaa.

### Käyttö akulla:

#### Akkukennon asentaminen tai irrottaminen

### HUOMIO:

- Kytke valaisin aina pois päältä ja irrota virrasta ennen kuin asennat tai irrotat akkukennon.
- **Pidä valaisinta ja akkukennoa tukevasti, kun asennat tai irrotat akkukennoa.** Jos et onnistu pitämään valaisinta ja akkukennoa tukevasti, ne saattavat pudota käsistäsi ja seurauksena voi olla valaisimen ja akkukennon vaurioituminen ja henkilövahinko.

Kun asennat akkukennoa, vapauta kannen lukko ja avaa akun kansi. Aseta akkukkenno. Kohdista akkukennon kielekke kotelon uraan ja liu'uta se paikoilleen. Työnnä loppuun asti, jolloin se lukittuu napsahtaen paikoilleen. Sulje sen jälkeen akun kansi. (kuva 2)

Irrota akkukkenno liu'uttamalla se pois valaisimesta ja liu'uttamalla samalla kennon edessä olevaa painiketta.

### HUOMIO:

- Asenna akkukkenno aina kunnolla paikoilleen. Jos et tee näin, se voi pudota valaisimesta aiheuttaen vammoja sinulle tai jollekin lähelläsi olevalle.
- Älä asenna akkukennoa väkivaltaa käyttäen. Jos kenno ei liu'u helposti, sitä ei ole työnnetty oikein paikoilleen.

#### Vaihtovirralla käyttö:

Yhdistä pistoke virransyöttöön. (kuva 3)

#### LED-valon sytyttäminen (kuva 4)

Painamalla kytkintä kerran valo palaa kirkkaasti (kirkkain tila). Painamalla kytkintä uudelleen valo palaa heikommin (alhainen tila). Sammuta valo painamalla kytkintä uudelleen yhden kerran.

#### Akun suojausjärjestelmä (kuva 5)

Valaisin on varustettu akun suojausjärjestelmällä, joka pidentää akun käyttöikää.

Kun akun virta vähenee, LED-valot sammuvat yhtä LED-valoa lukuun ottamatta (toisen rivin keskellä). Järjestelmä katkaisee sitten automaattisesti virran noin 5 – 10 minuutin päästä.

## KÄYTTÖ

### HUOMIO:

- Tämä työvalo on tarkoitettu työmaakäyttöön. Älä käytä työvaloa kotikäytössä.
- Aseta valaisin aina tasaiselle ja vakaalle alustalle. Muutoin seurauksena voi olla laitteen putoaminen.

#### Työvalon kulman säätäminen (kuva 6)

Löysää kummankin puolen nupit. Säädä työvalon kulma. Kiristä sitten nupit uudelleen.

#### Kolmijalan tai ruuvipuristimen kanssa käyttäminen (lisävarusteet) (kuva 7)

### HUOMIO:

- Lue huolellisesti lisävarusteiden käyttöohjeet ennen kuin käytät niitä työvalon kanssa.
- Kun käytät kolmijalkaa tai ruuvipuristinta, kokonaiskorkeus ei saa ylittää 1,75 metriä.

Voit asettaa työvalon kolmijalkaan tai ruuvipuristimeen helpottaaksesi käyttöä.

## HUOLTO

### HUOMIO:

- Varmista aina, että valaisin on kytketty pois päältä, irrotettu virrasta ja akkukkenno on poistettu ennen kuin teet tarkastuksia tai huoltoja.
- Älä koskaan käytä bensiniä, bent-seeniä, tinneriä, alkoholia tai vastaavaa. Seurauksena voi olla värinmuutoksia, muodonmuutoksia tai murtumia.

Käyttäjä saa tehdä vain ne huoltotyöt, jotka on kuvattu tässä käyttöohjeessa. Kaikki muut työt tulee jättää Makitan valtuuttamien huoltoliikkeiden suorittaviksi.

#### Puhdistaminen

Pyyhi aika ajoin valaisimen (valaisimen rungon) ulkopinnat saippuaveteen kostutetulla liinalla.

Jotta tuotteen TURVALLISUUS ja LUOTETTAVUUS säilyvät, korjaukset, kaikki muu huolto ja säädöt on jätettävä Makitan valtuuttamien huoltoliikkeiden tehtäväksi Makitan vaihto-osia käyttäen.

## LISÄVARUSTEET

### HUOMIO:

- Näitä varusteita tai tarvikkeita suositellaan käytettäväksi tässä käyttöohjeessa kuvatun Makita-valaisimen kanssa. Muiden varusteiden tai tarvikkeiden käyttäminen saattaa aiheuttaa henkilövahinkojen vaaran. Käytä varusteita ja tarvikkeita vain niille määrättyihin tarkoituksiin.

Jos tarvitset lisätietoa näistä varusteista, ota yhteys paikalliseen Makitan huoltoliikkeeseen.

- Makitan aito akku ja laturi
- Kolmijalka
- Ruuvipuristin
- Heijastamaton kalvo

#### HUOMAA:

- Jotkin luettelon tuotteista voi olla merkitty vakiovarusteiksi valaisimen pakkauksessa. Ne voivat vaihdella maakohtaisesti.

**Kopskata skaidrojums**

1 Rāmis	5 Akumulatora vāciņš	8 Slēdzis
2 Pamatne	6 Akumulators	9 Poga
3 Skrūve	7 Kontaktakša (dažādās valstīs tā formā var atšķirties)	
4 Vāciņa slēdzis		

**TEHNISKIE DATI**

Modelis	DML805			
Gaismas diode	20 x 0,6 W			
Darbības laiks* (ar akumulatoru BL1830)	(Aptuveni) augstākajā: 5 stundas / zemākajā: 10 stundas			
Barošanas avots	220-240 V 50-60 Hz maiņstrāva vai 14,4 V / 18 V līdzstrāva			
Standarta akumulators	BL1415 / BL1415N	BL1430 / BL1440 / BL1450	BL1815 / BL1815N / BL1820	BL1830 / BL1840 / BL1850
Spriegums (ekspluatējot ar akumulatoru)	14,4 V		18 V	
Izmēri (G x P x A)	214 mm x 261 mm x 328 mm			
Neto svars	2,3 kg	2,5 kg	2,4 kg	2,6 kg
Spiediena saņemšanas virsma (Lēcas virsma)	0,0195 m²			

- Mūsu nepārtrauktās pētniecības un izstrādes programmas rezultātā šeit norādītie tehniskie dati var tikt mainīti bez brīdinājuma.
- Tehniskie dati un akumulatori dažādās valstīs var atšķirties.
- Svārs kopā ar akumulatoru saskaņā ar EPTA procedūru (01.2003.)
- \* Šī vērtība ir tikai ieteicama. Tā var atšķirties atkarībā no akumulatora stāvokļa un vides.

**Apzīmējumi**

Uz šo instrumentu attiecas turpmāk redzami apzīmējumi. Pirms instrumenta lietošanas ir jāizprot to nozīme.



- Izlasiet lietošanas rokasgrāmatu.



- Lietošanai tikai telpās



- Tikai ES valstīm  
Neizmetiet elektriskās iekārtas un akumulatoru sadzīves atkritumos! Ievērojot Eiropas Direktīvu par elektrisko un elektronisko iekārtu atkritumiem un Direktīvu par baterijām un akumulatoriem, un bateriju un akumulatoru atkritumiem, kā arī īstenojot abas direktīvas saskaņā ar valsts tiesību aktiem, elektriskās iekārtas, baterijas un akumulatori, kam beidzies ekspluatācijas laiks, jāsavāc atsevišķi un jānodod videi nekaitīgā pārstrādes iekārtā.



- DUBULTA IZOLĀCIJA



- Optiskais starojums (UV un infrasarkanie stari). Samaziniet iedarbību uz acīm un ādu.



- Neskatieties ieslēgtā lampā.



- Valkājiet piemērotu aizsargaprīkojumu vai acu aizsargus.



- Gaismas avotu, kas atrodas šajā apgaismes instrumentā, nomaina tikai pilnvarots apkopes centrs.



- Ievērojiet īpašu uzmanību un piesardzību!

**SVARĪGI DROŠĪBAS NORĀDĪJUMI**

**⚠ BRĪDINĀJUMS!** Lietojot apgaismes instrumentus, vienmēr jāievēro pamata drošības profilakses pasākumi, tostarp šeit minētie, lai mazinātu ugunsgrēka, elektriskās strāvas trieciena un ievainojuma risku.

**IZLASIET VISUS NORĀDĪJUMUS.**

**⚠ UZMANĪBU!**

1. Ja apgaismes instruments netiek lietots, tas ir jāizslēdz un no tā jāatvieno vai jāizņem akumulators.
2. Nenosedziet vai neaizsprostojiet apgaismes instrumentu ar audumu, kartonu u.c., citādi tas var aizdegties.
3. Nelietojiet instrumentu mitros vai slapjos apstākļos. Nepakļaujiet apgaismes instrumentu lietus vai sniega iedarbībai. Nemazgājiet to ūdenī.
4. Nestrādājiet ar apgaismes instrumentu sprādzienbīstamā vidē, piemēram, viegli uzliesmojošu šķidrums, gāzu vai putekļu tuvumā.
5. Apgaismes instrumenta kontaktakšai jāatbilst kontaktligzdai. Kontaktakšu nekādā gadījumā nedrīkst pārveidot. Iezemētiem apgaismes instrumentiem nedrīkst izmantot pārejas kontaktakšas. Nepārveidotas kontaktakšas un piemērotas kontaktligzdas rada mazāku elektriskās strāvas trieciena risku.

6. Nepieskarieties iezemētām virsmām, piemēram, caurulēm, radiatoriem, plītiņiem un ledusskapjiem. Ja jūsu ķermenis ir iezemēts, pastāv lielāks elektriskās strāvas trieciena risks.
7. Lietojiet vadu pareizi. Nekad nepārnēsājiet, nevelciet vai neatvienojiet apgaismes instrumentu no kontaktligzdas, turot to aiz vada. Netuviniet vadu karstuma avotiem, eļļai, asām šķautnēm vai kustīgām detaļām. Ja vads ir bojāts vai sapinies, pastāv lielāks elektriskās strāvas trieciena risks.
8. Ja šī apgaismes instrumenta ārējais lokanais kabelis vai vads ir bojāts, to drīkst nomainīt tikai pilnvarots apkopes centrs, lai izvairītos no bīstamības.
9. Neskatieties tieši gaismas diodēs un gaismas avotā.

Lampa ir klasificēta 1. riska grupā.

- a) Lampa vai lampu sistēma pārsniedz izņēmuma grupas robežas, un redzes bojājuma risks ir atkarīgs no tā, kā izstrādājums ir uzstādīts un tiek lietots.
- b) Visierobežojošākā optiskā starojuma bīstamība un citas optiskā starojuma bīstamības pārsniedz izņēmuma grupas robežas.
- c) Pareiza salikšana, uzstādīšana, apkope un droša lietošana, tostarp skaidri sprotami brīdinājumi par profilaktiskiem pasākumiem, kā nepakļaut sevi iespējami bīstamam optiskajam starojumam.
- d) Ieteikumi par drošas ekspluatācijas kārtību un brīdinājumi par pamatoti prognozējamu nepareizu lietošanu, darbības traucējumiem un bīstamiem kļūmju režīmiem.
- e) **IEVĒRĪBA!** Šis instruments izstaro UV un infrasarkanos starus.
- f) **BRĪDINĀJUMS!** Šis instruments izstaro infrasarkanos starus.
- g) **UZMANĪBU!** Šis instruments izstaro iespējami bīstamu optisko starojumu.
- h) Samaziniet iedarbību uz acīm un ādu. Valkājiet piemērotu aizsargaprīkojumu.
- i) Valkājiet piemērotu aizsargaprīkojumu vai acu aizsargus.
- j) Neskatieties ieslēgtā lampā. Tas var kaitēt acīm.
- k) Iedarbības rezultātā var rasties acu vai ādas kairinājums. Nepieļaujiet iedarbību uz acīm.

### **Apgaismes instrumenta akumulatora ekspluatācija un apkope**

1. Uzlādējiet tikai ar ražotāja noteikto lādētāju. Ja ar lādētāju, kas paredzēts vienam akumulatora veidam, tiek lādēts cita veida akumulators, var izcelties ugunsgrēks.
2. Lietojiet apgaismes instrumentus tikai ar paredzētajiem akumulatoriem. Ja izmantojat citus akumulatorus, var rasties ievainojuma un ugunsgrēka risks.
3. Kamēr akumulators netiek izmantots, glabājiet to drošā attālumā no metāla priekšmetiem, piemēram, papīra saspraudēm, monētām, atslēgām, naglām, skrūvēm vai līdzīgiem maziem metāla priekšmetiem, kuri var savienot abas spalles. Saskaroties akumulatora spailēm, rodas īssavienojums, kas var izraisīt apdegumus vai ugunsgrēku.

4. Nepareizas lietošanas gadījumā šķidrums var iztecēt no akumulatora, — nepieskarieties tam. Ja jūs nejauši pieskārtāties šķidrumam, noskalojiet saskarsmes vietu ar ūdeni. Ja šķidrums nokļūst acīs, meklējiet arī medicīnisku palīdzību. Šķidrums, kas iztecējis no akumulatora, var izraisīt kairinājumu vai apdegumus.

### **SVARĪGI DROŠĪBAS NORĀDĪJUMI AKUMULATORAM**

1. Pirms akumulatora ekspluatācijas izlasiet visus norādījumus un brīdinājuma apzīmējumus uz (1) lādētāja, (2) akumulatora un (3) instrumenta, kurā tiek izmantots akumulators.
2. Neizjauciet akumulatoru.
3. Ja akumulatora darbības laiks kļuvis ievērojami īsāks, nekavējoties pārtrauciet ekspluatāciju. Pretējā gadījumā var rasties pārkaršanas, aizdegšanās un pat sprādziena risks.
4. Ja elektrolīts iekļūst acīs, nekavējoties skalojiet tās ar tīru ūdeni un pēc tam meklējiet medicīnisku palīdzību. Pretējā gadījumā varat zaudēt redzi.
5. Neizraisiet akumulatorā īssavienojumu:
  - (1) nepieskarieties akumulatora spailēm ar vadītspējīgu materiālu;
  - (2) neuzglabājiet akumulatoru tvertnē kopā ar citiem metāla priekšmetiem, piemēram, naglām, monētām u.c.;
  - (3) nepakļaujiet akumulatoru ūdens vai lietus iedarbībai.
 Akumulatora īssavienojums var izraisīt lielu strāvas plūsmu, pārkaršanu, iespējama aizdegšanās un pat bojājumu akumulatorā.
6. Neuzglabājiet apgaismes instrumentu un akumulatoru vietās, kur temperatūra var sasniegt vai pārsniegt 50°C.
7. Akumulatoru nedrīkst sadedzināt pat tad, ja tas ir stipri bojāts vai pilnībā nolietots. Akumulators ugunī var eksplodēt.
8. Uzmaniet, lai akumulators nenokristu un nesāņemtu triecienu.
9. Akumulatoru nedrīkst lietot, ja tas ir bojāts.
10. Ievērojiet vietējos noteikumus par akumulatoru nodošanu atkritumos.

### **Ieteikumi akumulatora maksimālā kalpošanas laika nodrošināšanai**

1. Uzlādējiet akumulatoru, kamēr tas nav pilnībā izlādējies.
2. Ja pamanāt, ka apgaismes instrumenta jauda ir mazinājusies, pārtrauciet apgaismes instrumenta ekspluatāciju un uzlādējiet akumulatoru.
3. Nedrīkst no jauna uzlādēt pilnībā uzlādētu akumulatoru. Pārmērīgi uzlādējot, saīsinās akumulatora ekspluatācijas laiks.
4. Uzlādējiet akumulatoru istabas temperatūrā 10°C – 40°C. Ja akumulators ir sakarsis, pirms uzlādēšanas ļaujiet tam atdzist.
5. Ja akumulators ilglaicīgi netiek lietots, reizi sešos mēnešos to uzlādējiet.

### **Saglabājiet visus brīdinājumus un norādījumus turpmākām uzziņām.**

## SALIKŠANA

### UZMANĪBU!

- Pirms darba veikšanas ar apgaismes instrumentu vienmēr pārliecinieties, vai tas ir izslēgts, atvienots no barošanas avota un vai akumulators ir izņemts.

### Rāmja un pamatnes salikšana (1. att.)

Salieciet darba lukturi šādi:

1. Izskrūvējiet skrūves.
2. Ievietojiet rāmja balstus pamatnē.
3. Savietojiet rāmja un pamatnes caurumus.
4. Pielieciet tos ar skrūvēm.

## FUNKCIJU RAKSTUROJUMS

### UZMANĪBU!

- Pirms apgaismes instrumenta regulēšanas vai funkciju pārbaudes vienmēr pārbaudiet, vai tas ir izslēgts, atvienots no barošanas avota un vai akumulators ir izņemts.

### Lietošana ar akumulatoru:

#### Akumulatora ievietošana un izņemšana

##### UZMANĪBU!

- Pirms akumulatora ievietošanas vai izņemšanas vienmēr izslēdziet apgaismes instrumentu un atvienojiet to no barošanas avota.
- **Ievietojot vai izņemot akumulatoru, cieši turiet apgaismes instrumentu un akumulatoru.** Ja apgaismes instruments un akumulators netiek cieši turēti, tie var izslēdēt no rokām un salūzt vai izraisīt ievainojumus.

Lai ievietotu akumulatoru, atbrīvojiet vāciņa slēdzi un atveriet akumulatora vāciņu. Tad ievietojiet akumulatoru. Savietojiet mēlīti, kas atrodas uz akumulatora, ar rievu korpusā un iebīdiēt akumulatoru tam paredzētajā vietā. Tas ir jāievieto līdz galam, līdz atskan klikšķis. Tad aizveriet akumulatora vāciņu. (2. att.)

Lai izņemtu akumulatoru, velciet to ārā no apgaismes instrumenta, bīdot akumulatora priekšpusē esošo pogu.

##### UZMANĪBU!

- Akumulators ir jāievieto līdz galam. Pretējā gadījumā tas var nejauši izkrist no apgaismes instrumenta, ievainojot jūs vai kādu no blakusstāvošajiem.
- Neievietojiet akumulatoru ar spēku. Ja akumulatoru nevar viegli iebīdīt, tas nav pareizi ievietots.

### Lietošana ar maiņstrāvas barošanas avotu:

Pievienojiet kontaktdakšu barošanas kontaktligzdai. (3. att.)

### Gaismas diožu lampas ieslēgšana (4. att.)

Nospiežot slēdzi vienu reizi, lampas gaisma ir spilgta (augstais režīms). Nospiežot slēdzi vēlreiz, lampas gaisma ir blāvāka (zemais režīms). Lai izslēgtu lukturi, vēlreiz nospiediet slēdzi.

### Akumulatora aizsargsistēma (5. att.)

Apgaismes instruments ir aprīkots ar akumulatora aizsargsistēmu, lai paildzinātu tā kalpošanas laiku. Kad akumulatora jauda samazinās, gaismas diodes izdzies, izņemot vienu gaismas diodi (tā, kura atrodas otrās rindas vidū). Aptuveni pēc piecām līdz desmit minūtēm sistēma automātiski izslēdz barošanu.

## EKSPLUATĀCIJA

### UZMANĪBU!

- Šis darba lukturis ir paredzēts lietošanai darba vajadzībām. Nelietojiet šo darba lukturi mājssaimniecības vajadzībām.
- Apgaismes instruments ir jānovieto uz līdzenas un stabilas virsmas. Pretējā gadījumā tas var apgāzties.

### Darba luktura leņķa regulēšana (6. att.)

Abās pusēs atskrūvējiet pogas. Noregulējiet darba luktura leņķi. Tad no jauna pievelciet pogas.

### Lietošana ar trijkāji vai skrūvspīlēm (papildpiederumi) (7. att.)

##### UZMANĪBU!

- Pirms piederumu lietošanas šim darba lukturim rūpīgi izlasiet piederumu lietošanas rokasgrāmatas.
- Lietojot ar trijkāji vai skrūvspīlēm, kopējais augstums nedrīkst pārsniegt 1,75 m.

Jūs varat uzstādīt darba lukturi uz trijkāja vai ievietot skrūvspīlēs, lai to būtu ērtāk ekspluatēt.

## APKOPE

### UZMANĪBU!

- Pirms pārbaudes vai apkopes veikšanas apgaismes instruments ir jāizslēdz, jāatvieno no barošanas avota un no tā jāizņem akumulators.
- Nedrīkst tīrīt ar benzīnu, šķīdinātāju, spirtu vai tamlīdzīgiem līdzekļiem. To dēļ instruments var zaudēt krāsu, deformēties vai splaisāt.

Lietotājs drīkst veikt tikai tos apkopes darbus, kas aprakstīti šajā lietošanas rokasgrāmatā. Visi pārējie darbi jāveic Makita pilnvarotam apkopes centram.

### Tīrīšana

Ik pa laikam noslaukiet ārējās virsmas (apgaismes instrumenta korpusu) ar lupatiņu, kas samitrināta ziepjuūdenī.

Lai saglabātu izstrādājuma DROŠU un UZTICAMU darbību, remontdarbus, apkopi un regulēšanu uzticiet veikt tikai Makita pilnvarotam apkopes centram, un vienmēr izmantojiet tikai Makita rezerves daļas.

## PAPILDPIEDERUMI

### UZMANĪBU!

- Šos piederumus vai papildierīces ieteicams izmantot kopā ar šajā rokasgrāmatā aprakstīto Makita apgaismes instrumentu. Ja tiek izmantoti citi piederumi vai papildierīces, var rasties ievainojuma risks. Lietojiet piederumus vai papildierīces tikai paredzētajiem mērķiem.

Ja vēlaties uzzināt sīkāku informāciju par šiem piederumiem, jautājiet vietējā Makita apkopes centrā.

- Makita oriģinālais akumulators un lādētājs
- Trijkājis
- Skrūvspīles
- Pretatspīduma plēve

### PIEZĪME.

- Daži no šeit minētajiem piederumiem var būt iekļauti apgaismes instrumenta standarta komplektācijā. Dažādās valstīs tie var atšķirties.



**Bendrojo vaizdo paaikškinimas**

1 Rėmas	5 Akumulatoriaus dangtelis	8 Jungiklis
2 Pagrindas	6 Akumulatoriaus kasetė	9 Rankenėlė
3 Varžtas	7 Kištukas (forma atskirose šalyse būna nevienoda)	
4 Dangtelio užraktas		

**SPECIFIKACIJOS**

Modelis	DML805			
Šviesos diodų	20 x 0,6 W			
Veikimo trukmė* (su akumuliatoriumi BL1830)	(Apytiksliai) intensyvusis: 5 val. / silpnasis: 10 val.			
Maitinimo šaltinis	220–240 V, 50–60 Hz, KS arba 14,4 V / 18 V, NS			
Standartinė akumulatoriaus kasetė	BL1415 / BL1415N	BL1430 / BL1440 / BL1450	BL1815 / BL1815N / BL1820	BL1830 / BL1840 / BL1850
Įtampa (veikiant iš akumulatoriaus)	14,4 V		18 V	
Matmenys (plotis x ilgis x aukštis)	214 mm x 261 mm x 328 mm			
Grynasis svoris	2,3 kg	2,5 kg	2,4 kg	2,6 kg
Slėgio priėmimo sritis (lėšio sritis)	0,0195 m <sup>2</sup>			

- Kadangi mes vykdome nuolatinę tyrimų ir plėtros programą, čia pateikiamos specifikacijos gali būti keičiamos be išankstinio perspėjimo.
- Specifikacijos ir akumulatoriaus kasetė atskirose šalyse gali būti nevienodos.
- Svoris su akumulatoriaus kasete pateikiamas pagal EPTA procedūrą 01/2003
- \* Ši vertė yra tik patariamojo pobūdžio. Ji gali skirtis, tai priklauso nuo akumulatoriaus būklės ir aplinkos.

**Simboliai**

Toliau pateikiami ant įrenginio naudojami ženklai. Prieš pradėdami naudotis, būtinai išsiaiškinkite jų reikšmę.



- Perskaitykite naudojimo instrukciją.



- Naudoti tik patalpoje



- Tik ES šalims  
Neišmeskite elektros įrangos ar akumulatoriaus paketo kartu su buitinėmis atliekomis!

Laikantis Europos direktyvų dėl Elektros ir elektroninės įrangos atliekų, Maitinimo elementų ir akumuliatorių bei Maitinimo elementų ir akumuliatorių atliekų, taip pat – jų įgyvendinimo nacionalinėje teisėje priemonių, baigtą eksploatuoti elektros įrangą, maitinimo elementus ir akumulatoriaus paketą (-us) būtina atskirai surinkti ir priduoti į atitinkamą atliekų perdavimo įmonę.



- DVIĞUBA IZOLIACIJA



- Optinis spinduliavimas (ultravioletiniai ir infraraudonieji spinduliai).  
Maksimaliai apribokite poveikį akims ir odai.



- Nežiūrėkite į veikiantį žibintą.



- Naudokite tinkamus skydus arba akių apsaugas.



- Šio šviestuvo šviesos šaltinį gali keisti tik įgaliojotojo serviso centro specialistas.



- Būkite ypač atsargūs ir dėmesingi!

**SVARBIOS SAUGOS INSTRUKCIJOS**

**⚠️ ĮSPĖJIMAS!** naudojantis šviestuvais, būtina visada laikytis bazinių saugos atsargumo priemonių, kad būtų sumažintas gaisro, elektros smūgio ir susižalojimų pavojus. Taip pat laikykitės toliau pateiktų nurodymų.

**PERSKAITYKITE VISAS INSTRUKCIJAS.**

**⚠️ ATSARGIAI!**

1. Kai šviestuvas nenaudojamas, jį būtina išjunkite ir atjunkite / išimkite iš jo akumulatoriaus kasetę.
2. Neuždenkite ir neužkimškite šviestuvo audiniu, kartonu ar pan. Jei uždengsite ar užkimškite, rizikuosite sukelti gaisrą.
3. Nenaudokite šviestuvo drėgnoje ar šlapioje vietoje. Saugokite šviestuvą nuo lietaus ar sniego. Neplaukite jo vandenyje.
4. Nenaudokite šviestuvo sprogioje atmosferoje, pvz., jei aplinkoje yra itin degių skysčių, dujų ar dulkių.

5. Šviestuvo kištukai turi atitikti lizdą. Niekada ir niekaip nemodifikuokite kištuko. Su įžemintais šviestuvais nenaudokite jokių adapterių kištukų. Nemodifikuoti kištukai ir atitinkantys lizdai sumažins elektros smūgio pavojų.
6. Venkite kūno sąlyčio su įžemintais paviršiais, pvz., vamzdžiais, radiatoriais, viryklėmis ir šaldytuvais. Jei jūsų kūnas bus įžemintas, padidės elektros smūgio pavojus.
7. Tinkamai elkitės su kabeliu. Niekada nenaudokite kabelio šviestuvui nešti, traukti ar nuo elektros tinklo atjungti. Laikykite kabelį atokiai nuo šilumos, alyvos, aštrių kraštų ar judančių dalių. Pažeisti ar supainioti kabeliai didina elektros smūgio pavojų.
8. Pažeidus šio šviestuvo išorinį lankstųjį kabelį ar laidą, jį turi pakeisti įgaliotojo serviso centro specialistas, kad būtų išvengta pavojaus.
9. Nežiūrėkite tiesiai į šviesos diodų skleidžiamą šviesą ar šviesos šaltinį.

Žibintas klasifikuojamas kaip 1 rizikos grupės gaminys.

- a) Žibintas ar jų sistema nepatenka į išimties grupę. Naudotojams kylantis pavojus priklauso nuo to, kaip jie įrengs ir naudos gaminį.
- b) Eksploatuojant į išimties grupę nepatenkančius gaminius, kyla didžiausias optinio spinduliavimo pavojus ir kiti optinio spinduliavimo pavojai.
- c) Siekiant išvengti galimo pavojingo optinio spinduliavimo poveikio, būtina tinkamai surinkti, įrengti, prižiūrėti ir saugiai naudoti gaminį, laikantis aiškių įspėjimų dėl taikytinų atsargumo priemonių.
- d) Reikia atsivėlgti į patarimus dėl saugių naudojimo procedūrų ir įspėjimus dėl pagrįstai numatomų netinkamo naudojimo atveju, veiklos sutrikimų ir pavojingų gedimų.
- e) DĖMESIO: šis gaminys skleidžia ultravioletinius ir infraraudonuosius spindulius.
- f) ĮSPĖJIMAS! šis gaminys skleidžia infraraudonuosius spindulius.
- g) ATSARGIAI! šis gaminys gali skleisti pavojingą optinį spinduliavimą.
- h) Maksimaliai apribokite poveikį akims ir odai. Naudokite tinkamus skydus.
- i) Naudokite tinkamus skydus arba akių apsaugas.
- j) Nežiūrėkite į veikiančią žibintą. Tai gali pakenkti akims.
- k) Dėl poveikio gali būti sudirginta oda. Venkite poveikio akims.

#### **Akumuliatorinio šviestuvo naudojimas ir priežiūra**

1. Įkraukite tik gamintojo nurodytu įkrovikliu. Jei vieno tipo akumuliatoriaus kasetei skirtą įkroviklį naudosite kitai akumuliatoriaus kasetei įkrauti, rizikuosite sukelti gaisrą.
2. Į šviestuvus dėkite tik jiems skirtas akumuliatoriaus kasetes. Jei naudosite kitas akumuliatorių kasetes, rizikuosite susižaloti ar sukelti gaisrą.
3. Kai nenaudojate akumuliatoriaus kasetės, laikykite ją atokiai nuo metalinių objektų, pvz., sąvaržėlių, monetų, raktų, vinių, varžtų ar kitų mažų metalinių daiktų, kurie gali sujungti kontaktus. Dėl akumuliatoriaus kontaktų trumpojo jungimo galima nusidegini arba gali kilti gaisras.

4. Netinkamai eksploatuojant, iš akumuliatoriaus gali ištekėti skysčio; venkite sąlyčio su juo. Atsitiktinio sąlyčio atveju nuplaukite paveiktą vietą vandeniu. Patekus skysčio į akis, papildomai kreipkitės į gydytoją. Iš akumuliatoriaus ištekėjęs skystis gali sudirginti arba nudeginti.

#### **SVARBIOS SAUGOS INSTRUKCIJOS DĖL AKUMULIATORIAUS KASETEI**

1. Prieš pradėdami naudoti akumuliatoriaus kasetę, perskaitykite visas instrukcijas ir perspėjimo žymas, pateikiamas ant (1) akumuliatoriaus įkroviklio, (2) akumuliatoriaus ir (3) gaminio, kuriame naudojamas akumuliatorius.
2. Neardykite akumuliatoriaus kasetės.
3. Jei veikimo trukmė žymiai sumažėjo, nedelsdami nutraukite eksploataciją. Kitaip kyla perkaitimo pavojus, galite nudegti ir netgi gali kilti sprogimas.
4. Jei į akis patektų elektrolito, išskalaukite jas švariu vandeniu ir nedelsdami kreipkitės į gydytoją. Kitaip galite apakti.
5. Neatlikite akumuliatoriaus kasetės trumpojo jungimo: (1) Nelieskite kontaktų jokių laidžių daiktų. (2) Venkite laikyti akumuliatoriaus kasetę talpykloje su kitais metaliniais daiktais, pvz., vinimis, monetomis ir pan. (3) Saugokite akumuliatoriaus kasetę nuo vandens ir lietaus.

Jei sujungsite akumuliatorių trumpuoju jungimu, gali gerokai padidėti srovės stipris, gaminys gali perkaisti, nudeginti ir netgi sugesti.

6. Nelaikykite šviestuvo ir akumuliatoriaus kasetės tose vietose, kuriose temperatūra gali pasiekti arba viršyti 50°C.
7. Nedeginkite akumuliatoriaus kasetės net jei ji rimtai pažeista arba visiškai susidėvėjusi. Ugnyje akumuliatoriaus kasetė gali sprogti.
8. Būkite atsargūs: nenumeskite akumuliatoriaus ir jo nedaužykite.
9. Nenaudokite pažeisto akumuliatoriaus.
10. Utilizuokite akumuliatorių laikydami vietinių reglamentų.

#### **Patarimai, kaip maksimaliai pailginti akumuliatoriaus eksploataciją**

1. Akumuliatoriaus kasetę reikia įkrauti šiai iki galo neišsikrovus. Pastebėję, kad mažėja šviestuvo galia, būtinai išjunkite jį ir įkraukite akumuliatoriaus kasetę.
2. Jokiū būdu neįkraukite visiškai įkrautos akumuliatoriaus kasetės. Įkrovus per daug, trumpėja akumuliatoriaus eksploatacija.
3. Įkraukite akumuliatoriaus kasetę kambario temperatūroje (10°C – 40°C). Prieš įkraudami karštą akumuliatoriaus kasetę, leiskite jai atvėsti.
4. Ilgai nenaudojamą akumuliatoriaus kasetę reikia įkrauti kas šešis mėnesius.

**Pasilikite visas įspėjimus ir instrukcijas, kad galėtumėte pasinaudoti ateityje.**

## SURINKIMAS

### ⚠️ ATSARGIAI!

- Prieš pradėdami vykdyti bet kokius šviestuvo priežiūros darbus, būtinai pasirūpinkite, kad jis būtų išjungtas, atjungtas, o akumulatoriaus kasetė – išimta.

### Rėmo ir pagrindo surinkimas (1 pav.)

Surinkite darbinį žibintą taip:

1. Išsukite varžtus.
2. Įstatykite rėmo kojeles į pagrindą.
3. Sulygiuokite rėmo kiaurymes su pagrindu.
4. Priveržkite juos varžtais.

## FUNKCIJŲ APRAŠYMAS

### ⚠️ ATSARGIAI!

- Prieš pradėdami reguliuoti ar tikrinti šviestuvo veikimą, būtinai pasirūpinkite, kad jis būtų išjungtas, atjungtas, o akumulatoriaus kasetė – išimta.

### Naudojimas su akumulatoriumi:

#### Akumulatoriaus kasetės įdėjimas ir išėmimas

### ⚠️ ATSARGIAI!

- Prieš įdėdami ar išimdami akumulatoriaus kasetę, būtinai išjunkite šviestuvą ir atjunkite jį.
- **Tvirtai laikydami šviestuvą ir akumulatoriaus kasetę, įstatykite arba išimkite akumulatoriaus kasetę.** Jei nelaikysite šviestuvo ir akumulatoriaus kasetės tvirtai, jie gali išslysti jums iš rankų ir būti pažeisti patys arba ką nors sužaloti.

Akumulatoriaus kasetei įrengti atleiskite dangtelio užraktą ir atidarykite akumulatoriaus dangtelį. Įstatykite akumulatoriaus kasetę. Sulygiuokite akumulatoriaus kasetės liežuvelį su grioveliu korpuse ir įstumkite į vietą. Įkiškite iki galo, kol ji spragtelėdama užsifiksuos. Tada uždarykite akumulatoriaus dangtelį. (2 pav.)

Prireikus išimti akumulatoriaus kasetę, išstumkite ją iš šviestuvo, slinkdami mygtuką kasetės priekyje.

### ⚠️ ATSARGIAI!

- Būtinai įstatykite akumulatoriaus kasetę iki galo. Kitaip ji gali netyčia iškristi iš šviestuvo ir sužaloti jus arba kitą asmenį.
- Nekiškite akumulatoriaus kasetės per jėgą. Jei nepavyksta kasetės įstumti lengvai, vadinasi, ji dedama netinkamai.

### Maitinimas iš KS tinklo:

Prijunkite kištuką prie maitinimo lizdo. (3 pav.)

### Šviesos diodų žibinto įjungimas (4 pav.)

Vieną kartą paspauskite jungiklį: žibintas ima ryškiai šviesti (intensyvusis režimas). Paspauskite jungiklį dar kartą: žibintas ima šviesti vidutiniškai (silpnasis režimas). Kad išjungtumėte žibintą, paspauskite jungiklį dar kartą.

### Akumulatoriaus apsaugos sistema (5 pav.)

Šviestuvai turi akumulatoriaus apsaugos sistemą, kuri pailgina akumulatoriaus eksploataciją.

Senkant akumulatoriui, šviesos diodai išsijungia (išskyrus vieną antrosios eilutės centre). Tada po maždaug 5–10 minučių sistema automatiškai nutraukia srovę.

## DARBAS

### ⚠️ ATSARGIAI!

- Šis darbinis žibintas skirtas naudoti pramoninėje aplinkoje. Nenaudokite darbinio žibinto buitėje.
- Visada statykite šviestuvą ant plokščio ir stabilaus pagrindo. Kitaip jis gali nukristi.

### Darbinio žibinto kampo nustatymas (6 pav.)

Atlaisvinkite rankenėles abiejose pusėse. Nustatykite darbinio žibinto kampa. Tada vėl prisukite rankenėles.

### Trikojo arba spaustuvų naudojimas (papildomi priedai) (7 pav.)

### ⚠️ ATSARGIAI!

- Prieš naudodami priedus su darbinio žibintu, atidžiai perskaitykite jų naudotojo vadovus.
- Naudodami su trikoju ar spaustuvais, neleiskite bendrajam aukščiui viršyti 1,75 m.

Kad būtų lengviau naudotis, galite pastatyti darbinį žibintą ant trikojo ar į spaustuvus.

## TECHNINĖ PRIEŽIŪRA

### ⚠️ ATSARGIAI!

- Prieš pradėdami vykdyti šviestuvo patikros ar techninės priežiūros darbus, būtinai pasirūpinkite, kad jis būtų išjungtas, atjungtas, o akumulatoriaus kasetė – išimta.
- Niekada nenaudokite benzino, skiediklio, spirito ir panašių medžiagų. Gali pakisti gaminio spalva, jis gali deformuotis arba sutrūkinėti.

Naudotojui leidžiama vykdyti tik tuos techninės priežiūros darbus, kurie yra aprašyti šiame naudotojo vadove. Visus kitus darbus turi atlikti „Makita“ įgaliotųjų serviso centrų specialistai.

### Valymas

Retkarčiais nušluostykite šviestuvo korpusą muiliniu vandeniu sudrėkinta šluoste.

Siekiant išlaikyti gaminio SAUGĄ ir PATIKIMUMĄ, remonto, bet kokios kitos techninės priežiūros ar reguliavimo darbai turi būti vykdomi tik „Makita“ įgaliotuose serviso centruose ir tik naudojant „Makita“ atsargines dalis.

## PAPILDOMI PRIEDAI

### ⚠️ ATSARGIAI!

- Su šiame vadove aprašytu „Makita“ šviestuvu rekomenduojama naudoti toliau nurodytus priedus. Jei naudosite bet kokius kitus priedus, gali kilti susižalojimo pavojus. Priedus reikia naudoti tik pagal jų nurodytąją paskirtį.

Jei jums reikia pagalbos ar išsamesnės informacijos apie šiuos priedus, susisiekite su savo vietiniu „Makita“ aptarnavimo centru.

- „Makita“ originalūs akumulatorius ir įkroviklis
- Trikojis
- Spaustuvai
- Apsaugos nuo blizgesio plėvelė

### PASTABA.

- Kai kurie sąraše pateikiami priedai gali būti standartiniai (pateikti šviestuvo komplekte). Jie atskirose šalyse gali būti skirtingi.

## Üldvaate selgitus

1 Raam	4 Akukaane lukk	7 Pistik (kuju võib riigiti erineda)
2 Alus	5 Akukaas	8 Lülitid
3 Kruvi	6 Aku	9 Nupp

## TEHNILISED ANDMED

Mudel	DML805			
LED	20 x 0,6 W			
Tööaeg* (aku BL1830)	(Ligikaudselt) Kõrge: 5 tundi / madal: 10 tundi			
Toiteallikas	220–240 V / 50–60 Hz vahelduvvool või 14,4 V / 18 V alalisvool			
Standardaku	BL1415 / BL1415N	BL1430 / BL1440 / BL1450	BL1815 / BL1815N / BL1820	BL1830 / BL1840 / BL1850
Pinge (aku kasutamisel)	14,4 V		18 V	
Mõõtmed (p x l x k)	214 mm x 261 mm x 328 mm			
Netomass	2,3 kg	2,5 kg	2,4 kg	2,6 kg
Surve vastuvõtuala (läätseala)	0,0195 m <sup>2</sup>			

- Kuna tegeleme pidevalt teadus- ja arendustööga, võib käesolev tehniline teave etteteatamata muutuda.
- Tehniline teave ja akukassett võivad riigiti erineda.
- Kaal koos akukassetiga EPTA-Procedure 01/2003 järgi
- \* See väärtus on ainult soovituslik. See võib olenevalt aku seisukorrast ja keskkonnast muutuda.

## Sümbolid

Järgnevalt on toodud seadmega seotud sümbolid. Enne seadme kasutamist veenduge, et teate kõigi sümbolite tähendust.



- Lugege kasutusjuhendit.



- Ainult sisetingimustes kasutamiseks



- Ainult EL-i liikmesriikidele  
Ärge visake elektriseadmeid ja akusid olmeprügi hulka!  
Vastavalt Euroopa direktiivile elektri- ja elektroonikaseadmete romude kohta, direktiivile patareide ja akude ning patarei- ja akujäätmete kohta ning nende rakendamisele vastavalt riiklikele seadustele tuleb kasutuselt kõrvaldatavad elektriseadmed ja akud eraldi kokku koguda ning keskkonnasõbralikku taaskasutuskeskusesse toimetada.



- TOPELTISOLATSIOON



- Optiline kiirgus (UV ja infrapuna).  
Minimeerige kokkupuudet silmade või nahaga.



- Ärge jääge töötavat valgustit vaatama.



- Kasutage sobivat varjestust või silmade kaitset.



- Selle valgusti valgusallikat on lubatud asendada ainult volitatud hoolduskeskuses.



- Olge eriti hoolikas ja tähelepanelik!

## TÄHTSAD OHUTUSJUHISED

**⚠ HOIATUS!** Valgustite kasutamisel tuleb alati tulekahju-, elektrilöögi- ja kehavigastuste ohu vähendamiseks järgida põhilisi ettevaatusabinõusid, sealhulgas järgmised.

## LUGEGE LÄBI KÕIK JUHISED.

**⚠ ETTEVAATUST!**

1. Kui valgustit ei kasutata, lülitage see alati välja ning ühendage lahti / eemaldage aku valgusti küljest.
2. Ärge katke või ummistage töötavat valgustit riidelapi, papi vms. Selle tagajärjel võib tööriist põlema süttida.
3. Ärge kasutage valgustit niisketes või märgades tingimustes. Ärge jätke valgustit vihma ega lume kätte. Ärge peske seda vees.
4. Ärge kasutage valgustit plahvatusohtlikus keskkonnas, näiteks tuleohtlike vedelike, gaaside või tolmu läheduses.
5. Valgusti pistikud peavad sobima pistikupesaga. Ärge kunagi tehke pistikule muudatusi. Ärge kasutage maandatud valgustitel adapterpistikuid. Muudatusteta pistikud ja sobivad pistikupesad vähendavad elektrilöögiohtu.

6. Vältige kehalist kokkupuudet maandatud pindadega, näiteks torude, radiaatorite, elektripliitide ja külmikutega. Elektrilöögioht on suurem, kui teie keha on maandatud.
7. Ärge väärkasutage juhet. Ärge kunagi kasutage juhet valgusti kandmiseks, vedamiseks või pistiku eemaldamiseks vooluvõrgust. Hoidke juhe eemal kuumusest, õlidest, teravatest servadest ja liukuvatest osadest. Kahjustatud või takerdunud juhtmed suurendavad elektrilöögiohtu.
8. Kui selle valgusti välimine painduv kaabel või juhe on kahjustatud, tuleb see asendada ainult volitatud hoolduskeskuses, et vältida ohtu.
9. Ärge vaadake otse LED-valgusti sisse või valgusalikasse.

Valgusti on klassifitseeritud 1. riskirühma.

- a) Valgusti või valgustisüsteem ei kuulu erandjuhmaning vaatajatega seotud ohud sõltuvad toote paigaldamisest ja kasutamisest.
- b) Kõige piiravam optilise kiirguse oht ja muude optiliste kiirguste ohud väljaspool erandjuhmaning.
- c) Õige kokkupanek, paigaldus, hooldus ja ohutu kasutamine, sealhulgas selged hoiatused seoses ettevaatusabinõudega võimaliku kokkupuute vältimiseks ohtliku optilise kiirgusega.
- d) Nõuanded ohutuks kasutamiseks ja hoiatused seoses mõistlikult ettenähtavate väärkasutamiste, tõrgete ja ohtlike rikkerežiimidega.
- e) PANGE TÄHELE: See toode kiirgab UV- ja infrapunakiirgust.
- f) HOIATUS! See toode kiirgab infrapunakiirgust.
- g) ETTEVAATUST! See toode kiirgab võimalikku ohtlikku optilist kiirgust.
- h) Minimeerige kokkupuudet silmade või nahaga. Kasutage sobivat varjestust.
- i) Kasutage sobivat varjestust või silmade kaitset.
- j) Ärge jääge töötavat valgustit vaatama. See võib olla silmadele kahjulik.
- k) Kokkupuude võib põhjustada silmade või naha ärritust. Vältige kokkupuudet silmadega.

#### **Akutoitega valgusti kasutamine ja hooldus**

1. Laadige ainult tootja ettenähtud laadijaga. Ühte tüüpi aku jaoks mõeldud laadija võib teist tüüpi akuga kasutamisel põhjustada tuleohtu.
2. Kasutage valgusteid ainult spetsiaalselt ettenähtud akudega. Muude akude kasutamine võib põhjustada kehavigastuste ja tuleohtu.
3. Kui akut ei kasutata, hoidke seda eemal teistest metalliesemetest, nagu kirjaklambrid, mündid, võtmed, naelad, kruvid või muud väikesed metalliesemed, mis võivad tekitada kahe klemmi vahel ühenduse. Akuklemmide lühistamine võib tekitada põletusi või põhjustada tulekahju.
4. Väärkasutuse olukordades võib akust lekkida vedelikku, vältige kokkupuudet. Tahtmatu kokkupuute korral peske veega. Kui vedelik satub silma, pöörduge lisaks arsti poole. Akust lekkiv vedelik võib põhjustada ärritust või põletusi.

#### **TÄHTSAD OHUTUSJUHISED SEOSSES AKUGA**

1. Enne aku kasutamist lugege läbi kõik (1) akulaadijal, (2) akul ja (3) akut kasutaval tootel asuvad juhised ja hoiatused.
2. Ärge võtke akut osadeks.
3. Kui tööaeg on oluliselt lühenenud, lõpetage kohe selle kasutamine. Kasutus võib põhjustada ülekuumenemise, põletuse ja isegi plahvatuse ohtu.
4. Elektrilöödi sattumisel silma loputage silmi puhta veega ja pöörduge kohe arsti poole. Vastasel juhul võite kaotada nägemise.
5. Ärge lühistage akut.
  - (1) Ärge puudutage klemme juhtivate materjalidega.
  - (2) Ärge hoiundage akut koos teiste metalliesemetega, nagu naelad, mündid jne.
  - (3) Vältige aku kokkupuudet vee või vihmaga.
6. Aku lühis võib põhjustada suurt voolu, ülekuumenemist, põletusi ja isegi riket.
7. Ärge hoiundage valgustit ja akut kohtades, kus temperatuur võib tõusta temperatuurini 50°C või rohkem.
8. Ärge põletage akut isegi siis, kui see on tugevalt kahjustatud saanud või täiesti tühi. Aku võib tules plahvatada.
9. Vältige aku mahakukkumist või põrutamist.
10. Ärge kasutage kahjustatud akut.
11. Järgige kohalikke eeskirju aku kasutusel kõrvaldamisel.

#### **Näpunäited aku maksimaalse tööea tagamiseks**

1. Laadige akut enne, kui see saab täiesti tühjaks. Lõpetage alati valgusti kasutamine ja laadige akut, kui märkate, et valgusti jõudlus on vähenenud.
2. Ärge laadige täielikult laetud akut. Ülelaadimine lühendab aku tööiga.
3. Laadige akut toatemperatuuril 10°C kuni 40°C. Laske kuumal akul enne laadimist jahtuda.
4. Kui akut ei kasutata pikka aega, laadige seda kord iga kuue kuu tagant.

#### **Hoidke kõik hoiatused ja juhised alles edaspidiseks kasutamiseks.**

## PAIGALDUS

### ⚠ ETTEVAATUST!

- Enne valgustil tööde teostamist veenduge alati, et valgusti oleks välja lülitatud, vooluvõrgust eemaldatud ning aku eemaldatud.

### Raami ja aluse kokkupanek (jn 1)

Pange töövalgusti kokku järgmisel viisil.

1. Eemaldage kruvid.
2. Sisestage raami jalad alusesse.
3. Joondage raamis ja aluses olevad augud.
4. Kinnitage need kruvidega.

## TALITLUSE KIRJELDUS

### ⚠ ETTEVAATUST!

- Enne valgusti reguleerimist või toimimise kontrollimist veenduge alati, et valgusti oleks välja lülitatud, vooluvõrgust eemaldatud ning aku eemaldatud.

### Kasutamine koos akuga:

#### Aku paigaldamine või eemaldamine

### ⚠ ETTEVAATUST!

- Enne aku paigaldamist või eemaldamist lülitage valgusti alati välja ja eemaldage vooluvõrgust.
- **Aku paigaldamisel või eemaldamisel hoidke valgustit ja akust tugevalt kinni.** Vastasel korral võivad need käest libiseda ning kahjustada valgustit ja akut või tekitada kehavigastusi.

Aku paigaldamiseks vabastage akukaane lukk ning põhjustada tööriista ja aku purunemist või tekitada kehavigastusi. Sisestage aku. Joondage aku keel korpusse oleva soonega ja libistage aku paika. Lükake aku lõpuni, kuni see klõpsatusega lukustub. Seejärel sulgege akukaas. (jn 2)

Aku eemaldamiseks lükake aku esiküljel olevat nuppu ja tõmmake aku valgustist välja.

### ⚠ ETTEVAATUST!

- Paigaldage aku alati täielikult. Vastasel korral võib see kogemata valgustist välja kukkuda ning tekitada vigastuse teile või kellelegi teisele lähedal viibivale.
- Ärge paigaldage akut jõuga. Kui aku ei liigu vabalt oma kohale, sisestatakse seda valesti.

### Kasutamine vahelduvvoolutoitega:

Ühendage pistik vooluallikasse. (jn 3)

### LED-valgusti sisselülitamine (jn 4)

Kui vajutate lülitit ühe korra, põleb valgusti eredalt (kõrge režiim). Kui vajutate lülitit uuesti, põleb valgusti nõrgalt (madal režiim). Valgusti väljalülitamiseks vajutage lülitit veel üks kord.

### Aku kaitsesüsteem (jn 5)

Valgusti on varustatud aku kaitsesüsteemiga, et pikendada aku tööiga.

Kui aku hakkab tühjaks saama, kustuvad kõik LED-tuled peale ühe (see, mis asub teise rea keskel). Seejärel umbes viie kuni kümne minuti pärast lülitab süsteem toite välja.

## KASUTAMINE

### ⚠ ETTEVAATUST!

- Töövalgusti on mõeldud ehitus- ja paigaldustöödeks. Ärge kasutage töövalgustit majapidamisotstarbeks.
- Asetage valgusti alati tasasele ja stabiilsele kohale. Vastasel juhul võib nende kukkumine põhjustada õnnetuse.

### Töövalgusti valgustusnurga reguleerimine (jn 6)

Keerake lahti mõlemal küljel asuvad nupud. Reguleerige töövalgusti valgustusnurka. Seejärel keerake nupud uuesti kinni.

### Kasutamine koos statiivi või kinnitusseadmega (lisatarvikud) (jn 7)

### ⚠ ETTEVAATUST!

- Enne kontrolli või hoolduse teostamist veenduge alati, et valgusti oleks välja lülitatud, vooluvõrgust eemaldatud ning aku eemaldatud.
- Töövalgusti kasutamisel koos statiivi või kinnitusseadmega ei tohi summaarne kõrgus ületada 1,75 m.

Töö hõlbustamiseks võib töövalgustit kasutada koos statiivi või kinnitusseadmega.

## HOOLDUS

### ⚠ ETTEVAATUST!

- Enne kontrolli või hoolduse teostamist veenduge alati, et valgusti oleks välja lülitatud, vooluvõrgust eemaldatud ning aku eemaldatud.
- Ärge kasutage kunagi gasoliini, bensiini, vedeldit, alkoholi vms. See võib põhjustada värvimuutusi, deformeerumist või pragunemist.

Kasutaja võib teostada ainult käesolevas kasutusjuhendis kirjeldatud hooldustöid. Mis tahes muud tööd peab teostama mõni Makita volitatud hoolduskeskustest.

### Puhastamine

Puhastage aeg-ajalt valgusti välispinda (korpust) seebivees niisutatud lapiga.

Et tagada toote OHUTUS ja TÖÖKINDLUS, peab parandus-, hooldus- ja kohandustöid teostama mõni Makita volitatud hoolduskeskustest, kasutades alati Makita varuosi.

## LISATARVIKUD

### ⚠ ETTEVAATUST!

- Need lisatarvikud ja -seadmed on soovitatavad kasutamiseks selles juhendis kirjeldatud Makita valgustiga. Mis tahes muude lisatarvikute ja -seadmete kasutamine võib põhjustada kehavigastuste ohtu. Kasutage lisatarvikut või -seadet ainult ettenähtud otstarbel.

Kui soovite seoses nende lisatarvikutega abi või lisateavet, pöörduge kohaliku Makita hoolduskeskuse poole.

- Makita originaalaku ja -laadija
- Statiiv
- Kinnitusseade
- Pimestusvastane kile

### MÄRKUS.

- Mõned loendis toodud esemed võivad olla valgusti komplektis standardtarvikutena. Need võivad riigiti erineda.

**Objaśnienia do widoku ogólnego**

- |                  |   |             |
|------------------|---|-------------|
| 1 Ramka          | 5 Pokrywa akumulatora                                     | 8 Wyłącznik |
| 2 Podstawa       | 6 Akumulator  | 9 Pokrętko  |
| 3 Śruba          | 7 Wtyczka (kształt może różnić się w zależności od kraju) |             |
| 4 Blokada pokryw |   |             |

**DANE TECHNICZNE**

Model	DML805			
Diody LED	20 x 0,6 W			
Czas pracy* (z akumulatorem BL1830)	(orientacyjnie) Tryb jasny: 5 godzin / Tryb pośredni: 10 godzin			
Zasilanie	220 – 240 V 50 – 60 Hz AC lub 14,4 V / 18 V DC			
Standardowy akumulator	BL1415 / BL1415N	BL1430 / BL1440 / BL1450	BL1815 / BL1815N / BL1820	BL1830 / BL1840 / BL1850
Napięcie (przy pracy z akumulatorem)	14,4 V		18 V	
Wymiary (dług. x szer. x wys.)	214 mm x 261 mm x 328 mm			
Ciężar netto	2,3 kg	2,5 kg	2,4 kg	2,6 kg
Obszar odbiorczy ciśnienia (obszar soczewki)	0,0195 m <sup>2</sup>			

- Z uwagi na stale prowadzony program badawczorozwojowy podane powyżej dane techniczne mogą bez uprzedzenia ulec zmianie.
- Dane techniczne i kasetka baterii mogą różnić się w poszczególnych krajach.
- Ciężar z akumulatorem zgodnie z procedurą EPTA 01/2003
- \* Ta wartość jest jedynie orientacyjna. Zależy ona od stanu akumulatora.

**Symbol**

Poniżej przedstawiono stosowane symbole. Przed przystąpieniem do eksploatacji należy koniecznie zapoznać się z ich znaczeniem.



- Przeczytać instrukcję obsługi.



- Tylko do użytku w pomieszczeniach



- Dotyczy tylko państw UE Urządzeń elektrycznych ani akumulatorów nie wolno wyrzucać razem z odpadami gospodarczymi! Zgodnie z Dyrektywami Europejskimi dotyczącymi zużytego sprzętu elektrycznego i elektronicznego, baterii i akumulatorów oraz zużytych baterii i akumulatorów, jak również ich implementacją do prawa krajowego, sprzęt elektryczny i akumulatory, których okres eksploatacji dobiegł końca, należy zebrać oddzielnie i przekazać do zakładu utylizacji spełniającego wymogi ochrony środowiska.



- PODWÓJNA IZOLACJA



- Promieniowanie optyczne (UV i IR). Minimalizować ekspozycję w przypadku oczu i skóry.



- Nie patrzeć w stronę pracującej lampy.



- Stosować odpowiednią metodę ekranowania lub ochronę wzroku.



- Wymianę źródła światła w opisywanej oprawie oświetleniowej może wykonać wyłącznie autoryzowany punkt serwisowy.



- Zachować szczególną ostrożność i uwagę!

**WAŻNE ZASADY DOTYCZĄCE BEZPIECZEŃSTWA**

**⚠ OSTRZEŻENIE:** Aby zmniejszyć ryzyko pożaru, porażenia prądem i obrażeń ciała w trakcie użytkowania opraw oświetleniowych, należy zawsze przestrzegać podstawowych zasad bezpieczeństwa, między innymi:

**PRZECZYTAĆ CAŁĄ INSTRUKCJĘ.**

**⚠ OSTROŻNIE:**

1. Nieużywaną oprawę oświetleniową należy zawsze wyłączyć i odłączyć wtyczkę jej przewodu zasilającego / akumulator.
2. Nie przykrywać ani nie zasłaniać oprawy oświetleniowej materiałem lub kartonem itp. Przykrycie lub zasłonięcie grozi pożarem.
3. Nie używać oprawy oświetleniowej w wilgotnych miejscach. Chronić oprawę oświetleniową przed deszczem lub śniegiem. Nie myć wodą.

4. Oprawy oświetleniowej nie wolno używać w miejscach zagrożonych wybuchem, na przykład w obecności łatwopalnych cieczy, gazów lub pyłów.
5. Wtyczka przewodu zasilającego oprawy oświetleniowej musi pasować do gniazda elektrycznego. Nie wolno dokonywać żadnych przeróbek wtyczki. W przypadku opraw oświetleniowych wymagających uziemienia nie wolno stosować żadnych przejściówek. Oryginalne wtyczki i właściwie dopasowane gniazda zmniejszają ryzyko porażenia prądem elektrycznym.
6. Unikać kontaktu z powierzchniami uziemionych przedmiotów, jak rury, grzejniki, kuchenki, czy lodówki. Gdy ciało jest uziemione, wzrasta ryzyko porażenia prądem elektrycznym.
7. Nie nadwierać przewodu zasilającego. Nie wolno wykorzystywać go do przenoszenia lub przyciągania oprawy oświetleniowej, ani do wyciągania wtyczki z gniazda elektrycznego. Przewód należy trzymać z dala od źródeł ciepła, oleju, ostrych krawędzi lub znajdujących się w ruchu podzespołów. Uszkodzone lub poplątane przewody zasilające zwiększają ryzyko porażenia prądem elektrycznym.
8. Z uwagi na możliwe zagrożenia, wymianę uszkodzonego przewodu lub zewnętrznego kabla giętkiego opisywanej oprawy oświetleniowej należy zlecać wyłącznie autoryzowanemu punktowi serwisowemu.
9. Nie wolno zaglądać do lampy LED ani kierować wzroku bezpośrednio w stronę źródła światła.

Lampa została zaklasyfikowana do Grupy ryzyka 1.

- a) Lampa lub system lampowy znajduje się poza Grupą zerowego ryzyka, a ryzyko w przypadku obserwatora zależy od sposobu montażu i eksploatacji wyrobu;
- b) Najbardziej restrykcyjne zagrożenie związane z promieniowaniem optycznym i inne zagrożenia związane z promieniowaniem optycznym poza Grupą zerowego ryzyka.
- c) Prawidłowy montaż, instalacja, konserwacja i bezpieczna eksploatacja, z uwzględnieniem czytelnych ostrzeżeń dotyczących środków ostrożności w celu uniknięcia ekspozycji na niebezpieczne promieniowanie optyczne.
- d) Porady związane z procedurami bezpiecznej obsługi i ostrzeżenia dotyczące stosunkowo łatwych do przewidzenia niewłaściwych sposobów eksploatacji, usterek i trybów poważnych awarii.
- e) PRZESTROGA: Promieniowanie UV i IR emitowane z opisywanego wyrobu.
- f) OSTRZEŻENIE: Promieniowanie IR emitowane z opisywanego wyrobu.
- g) OSTROŻNIE: Potencjalnie niebezpieczne promieniowanie optyczne emitowane z opisywanego wyrobu.
- h) Minimalizować ekspozycję w przypadku oczu lub skóry. Stosować odpowiednią metodę ekranowania.
- i) Stosować odpowiednią metodę ekranowania lub ochronę wzroku.
- j) Nie patrzeć w stronę pracującej lampy. Może to mieć szkodliwy wpływ na oczy.
- k) Efektem ekspozycji może być podrażnienie oczu lub skóry. Chronić oczy przed ekspozycją.

## Użytkowanie akumulatorowej oprawy oświetleniowej i dbałość o nią

1. Akumulator należy ładować wyłącznie przy użyciu określonej przez producenta ładowarki. Ładowarka przeznaczona do ładowania jednego typu akumulatora, a używana do ładowania innego akumulatora, może stwarzać zagrożenie pożarem.
2. Do zasilania opraw oświetleniowych należy używać tylko specjalnie do tego celu przeznaczonych akumulatorów. Używanie innych akumulatorów może grozić wypadkiem lub pożarem.
3. Nieużywany akumulator chronić przed kontaktem z metalowymi przedmiotami, na przykład spinaczami, monetami, kluczami, gwoźdźmi, wkrętami lub innymi metalowymi drobiazgami, które mogą spowodować zwarcie styków. Zwarcie styków akumulatora z kolei grozi poparzeniami lub pożarem.
4. W przypadku niewłaściwych warunków eksploatacji może dojść do wycieku elektrolitu z akumulatora. Nie należy go dotykać. W razie przypadkowego kontaktu przemyć wodą. W przypadku kontaktu z oczami, dodatkowo zwrócić się o pomoc lekarską. Płyn z akumulatora może powodować podrażnienie lub poparzenia.

## WAŻNE ZASADY DOTYCZĄCE BEZPIECZEŃSTWA AKUMULATORA

1. Przed użyciem akumulatora zapoznać się z wszystkimi zaleceniami i znakami ostrzegawczymi na (1) ładowarce, (2) akumulatorze i (3) wyrobie, w którym będzie używany akumulator.
2. Akumulatora nie wolno demontować.
3. W przypadku znacznego skrócenia czasu działania, należy natychmiast przerwać pracę. Może bowiem dojść do przegrzania, ewentualnych poparzeń, a nawet eksplozji.
4. W przypadku przedostania się elektrolitu do oczu, przemyć je czystą wodą i niezwłocznie uzyskać pomoc lekarską. W przeciwnym razie może dojść do utraty wzroku.
5. Akumulatora nie wolno zwierać:
  - (1) Nie dotykać styków przedmiotami wykonanymi z materiałów przewodzących.
  - (2) Unikać przechowywania akumulatora w pojemniku z metalowymi przedmiotami, na przykład gwoźdźmi, monetami itp.
  - (3) Chronić akumulator przed wodą lub deszczem. Zwarcie prowadzi do przepływu prądu elektrycznego o dużym natężeniu i przegrzania akumulatora, co w konsekwencji może grozić poparzeniami, czy wręcz awarią.
6. Oprawy oświetleniowej i akumulatora nie wolno przechowywać w miejscach, w których temperatura osiąga bądź przekracza 50°C.
7. Akumulatorów nie wolno palić, również tych poważnie uszkodzonych lub całkowicie zużytych. W ogniu akumulator może eksplodować.
8. Chronić akumulator przed upadkiem i uderzeniami.
9. Nie wolno używać uszkodzonego akumulatora.
10. Akumulator utylizować zgodnie z obowiązującymi miejscowymi przepisami.



## Wskazówki dotyczące zachowania maksymalnej trwałości akumulatora

1. Akumulator naładować przed całkowitym rozładowaniem. W przypadku stwierdzenia spadku mocy oprawy oświetleniowej należy przerwać użytkowanie i naładować akumulator.
2. Nie wolno ładować w pełni naładowanego akumulatora. Zbyt długie ładowanie skraca okres eksploatacji.
3. Akumulator ładować w temperaturze w przedziale 10°C – 40°C. Przed przystąpieniem do ładowania gorącego akumulatora odczekać, aż ostygnie.
4. W przypadku dłuższego okresu wyłączenia z eksploatacji, akumulator należy naładować raz na pół roku.

## Wszystkie zasady i zalecenia zachować do wglądu na przyszłość.

### MONTAŻ

#### OSTROŻNIE:

- Przed przystąpieniem do jakichkolwiek czynności związanych z obsługą oprawy oświetleniowej należy koniecznie upewnić się, że jest ona wyłączona, odłączona od zasilania i że wyjęto z niej akumulator.

#### Montaż ramki i podstawy (Rys. 1)

Montaż latarki należy przeprowadzić w następujący sposób:

1. Odkręcić śruby.
2. Wsunąć nóżki ramki w podstawę.
3. Wyrównać otwory w ramce i w podstawie.
4. Skręcić oba elementy śrubami.

### OPIS DZIAŁANIA

#### OSTROŻNIE:

- Przed przystąpieniem do regulacji lub sprawdzenia działania oprawy oświetleniowej zawsze upewnić się, że jest ona wyłączona, nie jest podłączona do zasilania, a akumulator został odłączony.

#### Praca z akumulatorem:

#### Podłączanie lub odłączanie akumulatora

#### OSTROŻNIE:

- Przed podłączeniem lub odłączeniem akumulatora należy koniecznie wyłączyć oprawę oświetleniową i odłączyć ją od zasilania.
- **Przed przystąpieniem do podłączania lub odłączania akumulatora należy mocno chwycić oprawę oświetleniową i akumulator.** Niepewny chwyt grozi wysłizgnięciem się oprawy oświetleniowej lub akumulatora z rąk, co z kolei może doprowadzić do uszkodzenia oprawy oświetleniowej i akumulatora oraz do obrażeń ciała.

W celu zainstalowania akumulatora należy zwolnić blokadę pokrywy, otworzyć pokrywę akumulatora i włożyć akumulator. Wyrównać występ na akumulatorze z rowkiem w obudowie i wsunąć akumulator na swoje miejsce. Akumulator należy wsunąć do oporu, aż wskoczy na swoje miejsce, co jest sygnalizowane delikatnym kliknięciem. Następnie zamknąć pokrywę akumulatora. (Rys. 2)

W celu wyjęcia akumulatora należy przesunąć przycisk znajdujący się w przedniej jego części i wysunąć go z oprawy oświetleniowej.

#### OSTROŻNIE:

- Akumulator należy zawsze wsunąć do oporu na swoje miejsce. W przeciwnym razie może przypadkowo wypaść z oprawy oświetleniowej, raniąc operatora lub osoby postronne.
- Akumulatora nie wolno instalować na siłę. Jeżeli akumulator nie wchodzi swobodnie, nie został prawidłowo włożony.

#### Praca w trybie zasilania sieciowego:

Podłączyć wtyczkę do źródła zasilania. (Rys. 3)

#### Włączanie lampy LED (Rys. 4)

Po jednokrotnym naciśnięciu wyłącznika lampa świeci jasno (tryb jasny). Powtórne naciśnięcie wyłącznika obniża poziom natężenia światła (tryb pośredni). Aby wyłączyć lampę całkowicie, wystarczy ponownie nacisnąć przycisk wyłącznika.

#### Układ zabezpieczenia akumulatora (Rys. 5)

Oprawa oświetleniowa jest wyposażona w układ zabezpieczenia akumulatora zwiększający jego trwałość.

W przypadku niskiego poziomu naładowania akumulatora, diody LED gasną za wyjątkiem jednej diody LED (w środku w drugim rzędzie). Następnie, po około pięciu do dziesięciu minutach, następuje automatyczne odłączenie zasilania.

### OBSŁUGA

#### OSTROŻNIE:

- Opisywana latarka przeznaczona jest do pracy w terenie. Nie wolno używać tej latarki do zastosowań domowych.
- Oprawę oświetleniową należy zawsze stawiać na płaskiej i stabilnej powierzchni. W przeciwnym razie może dojść do obrażeń w wyniku upadku.

#### Regulacja kąta latarki (Rys. 6)

Poluzować pokrętki po obu stronach. Wyregulować kąt latarki. Następnie ponownie dokręcić pokrętki.

#### Korzystanie ze statywu lub zacisku (wyposażenie dodatkowe) (Rys. 7)

#### OSTROŻNIE:

- Przed przystąpieniem do korzystania z wyposażenia dodatkowego latarki należy dokładnie zapoznać się z dołączoną instrukcją obsługi.
- W przypadku korzystania ze statywu lub zacisku, łączna wysokość nie może przekraczać 1,75 m.

Latarką można ustawić na statywie lub zamocować w zacisku w celu ułatwienia obsługi.

### KONSERWACJA

#### OSTROŻNIE:

- Przed przystąpieniem do przeglądu oprawy oświetleniowej lub jej konserwacji upewnić się, czy jest ona wyłączona i czy akumulator został wyjęty.
- Nie wolno stosować benzyny, ropy naftowej, rozpuszczalników, alkoholu itp. środków. Substancje te mogą spowodować odbarwienia, odkształcenia lub pęknięcia.

Użytkownik może wykonywać tylko czynności konserwacyjne opisane w niniejszej instrukcji obsługi. Wszelkie inne czynności powinien przeprowadzać autoryzowany punkt serwisowy narzędzi Makita.

### **Czyszczenie**

Od czasu do czasu przetrzeć z zewnątrz oprawę oświetleniową (korpus oprawy oświetleniowej) szmatką zwilżoną wodą z mydłem.

W celu zachowania odpowiedniego poziomu BEZPIECZEŃSTWA i NIEZAWODNOŚCI wyrobu, wszelkie naprawy i różnego rodzaju prace konserwacyjne lub regulacje powinny być przeprowadzane przez autoryzowany punkt serwisowy narzędzi Makita zawsze z użyciem oryginalnych części zamiennych Makita.

### **WYPOSAŻENIE DODATKOWE**



#### **OSTROŻNIE:**

- Z opisaną w niniejszym podręczniku oprawą oświetleniową marki Makita współpracują zalecane poniżej akcesoria i przystawki. Stosowanie innych akcesoriów lub przystawek grozi obrażeniami ciała. Akcesoria lub przystawki należy wykorzystywać wyłącznie do celów, do których zostały przeznaczone. Więcej szczegółów na temat wspomnianych akcesoriów można uzyskać w miejscowym punkcie serwisowym narzędzi Makita.

- Oryginalny akumulator i ładowarka marki Makita
- Statyw
- Zacisk
- Folia przeciwodblaskowa

#### **UWAGA:**

- Niektóre pozycje z listy mogą znajdować się razem z oprawą oświetleniową w opakowaniu jako wyposażenie standardowe. Zależy to od kraju.

**Az ábrák jelmagyarázata**

1 Keret	5 Akkumulátorfedél	8 Kapcsoló
2 Talp	6 Akkumulátor	9 Gomb
3 Csavar	7 Csatlakozódugasz (alakja országonként eltérő lehet)	
4 Fedél retesze		

**MŰSZAKI ADATOK**

Típus	DML805			
LED	20 x 0,6 W			
Üzemidő* (BL1830 típusú akkumulátorral)	(körülbelül) magas: 5 óra / alacsony: 10 óra			
Áramforrás	220 – 240 V 50 – 60 Hz AC vagy 14,4 V / 18 V DC			
Normál akkumulátor	BL1415 / BL1415N	BL1430 / BL1440 / BL1450	BL1815 / BL1815N / BL1820	BL1830 / BL1840 / BL1850
Feszültség (akkumulátoros üzemmél)	14,4 V		18 V	
Méreték (hosszúság x szélesség x magasság)	214 mm x 261 mm x 328 mm			
Nettó tömeg	2,3 kg	2,5 kg	2,4 kg	2,6 kg
Nyomásfelvevő felület (a lencsék környéke)	0,0195 m <sup>2</sup>			

- Folyamatos kutatási és fejlesztési programunk eredményeképpen a dokumentumban szereplő adatok figyelmeztetés nélkül módosulhatnak.
- A műszaki adatokban és az akkumulátorkazettában országonként eltérések lehetnek.
- Tömeg, az akkumulátorral együtt, a 01/2003 EPTA eljárás szerint
- \* Csak tájékoztató érték. Az érték az akkumulátor állapotától és a környezettől függően változhat.

**Szimbólumok**

A következő rész a készülékkel kapcsolatban használt szimbólumokat ismerteti. A készülék használata előtt ismerkedjen meg a szimbólumok jelentésével.



- Lásd a használati utasítást.



- Csak beltéri használatra



- Csak az EU országaiban élő felhasználók számára

Az elektromos berendezéseket, így az akkumulátorokat sem szabad a háztartási hulladékba helyezni!

Az elektromos és elektronikus berendezések, illetve azok akkumulátorainak selejtezéséről szóló európai uniós irányelvek és a nemzeti jogszabályokkal összhangban történő alkalmazásuk értelmében az élettartamuk végét elérő elektromos és elektronikus berendezéseket, illetve akkumulátorokat a többi hulladéktól elkülönítve kell gyűjteni, és a környezetvédelmi szabályozásnak megfelelő helyen újrahasznosítás céljából le kell adni.



- KETTŐS SZIGETELÉS



- Optikai sugárzás (ultraibolya és infravörös).  
Ügyeljen arra, hogy a szemét és a bőrét a lehető legkevesebb sugárzás érje.



- Ne nézzen bele a működő lámpába.



- Gondoskodjon megfelelő védelemről, illetve szemvédőről.



- A lámpában található fényforrást kizárólag hivatalos szervizközpont cserélheti ki.



- Különös gondossággal és elővigyázatossággal járjon el!

**FONTOS BIZTONSÁGI TUDNIVALÓK**

**⚠ VIGYÁZAT!** A lámpa használata közben a tűz, az áramütés és a személyi sérülések elkerülése érdekében többek között a következő alapvető biztonsági óvintézkedéseket kell betartani:

**OLVASSA EL AZ ÖSSZES UTASÍTÁST.**

**⚠ FIGYELEM!**

- Ha nem használja a lámpát, mindig kapcsolja ki, és húzza ki a hálózati csatlakozódugaszt, vagy vegye ki a lámpa akkumulátorát.
- A működő lámpát ne takarja le semmivel, pl. ruhával vagy kartonlappal. Ellenkező esetben a készülék begyulladhat.

3. A lámpa nedves vagy nyirkos környezetben nem használható. A lámpát nem érheti eső vagy hó. A készüléket nem szabad vízben mosni.
4. A lámpa nem használható robbanásveszélyes környezetben, így például gyúlékony folyadékok, gázok vagy por közelében.
5. A lámpa csatlakozódugaszának illeszkednie kell a konnektorba. A dugason semmilyen módosítás nem végezhető. Földelt (testelt) lámpához ne használjon adapterdugaszt. A módosítás nélküli, gyári csatlakozódugaszok és a megfelelő konnektorok használata csökkenti az áramütés kockázatát.
6. Kerülje a testelt vagy földelt felületekkel – pl. csúvekkel, fűtőtestekkel, hűtőkkel stb. – történő érintkezést. Ha az emberi test érintkezik a földeléssel, megnő az áramütés kockázata.
7. A kábelt csak a rendeltetésének megfelelő célra használja. A lámpát ne vigye vagy vonszolja a kábelnél fogva, illetve ne a kábelnél fogva húzza ki a konnektorból. A kábelt tartsa távol a hőtől, olajtól, éles felületektől, illetve mozgó alkatrészekről. A sérült vagy összegubancolódott kábelek növelik az áramütés kockázatát.
8. Ha a lámpa külső flexibilis tápkábele megroggólódik, a biztonságos működés érdekében kizárólag hivatalos szervizközpont cserélheti ki.
9. Ne nézzen közvetlenül a LED-lámpába vagy a LED fényforrásába.

A lámpa az 1. veszélyességi csoportba tartozik.

- a) Alámpa és alámpatest nem tartozik a kockázatmentes csoportba; a felhasználót érintő kockázat a készülék elhelyezésének és használatának függvényében változik.
- b) A legjelentősebb optikai sugárzásveszély és az optikai sugárzás okozta egyéb veszélyek nem tartoznak a kockázatmentes csoportba.
- c) A veszélyes optikai sugarakkal történő érintkezés a megfelelő összeszerelés, elhelyezés és karbantartás, a biztonságos használat, továbbá a jól érthető figyelmeztetések és elővigyázatossági övintézkedések meghatározása által kerülhető el.
- d) A biztonságos üzemeltetésre vonatkozó tanácsokat az előrelátható felhasználói hibákra, üzemzavarokra és veszélyes meghibásodásokra vonatkozó figyelmeztetések egészítik ki.
- e) **ÉRTESÍTÉS:** A készülék ultraibolya- és infravörös sugarakat bocsát ki.
- f) **VIGYÁZAT!** A készülék infravörös sugarakat bocsát ki.
- g) **FIGYELEM!** A készülék potenciálisan veszélyes optikai sugárzást bocsát ki.
- h) Ügyeljen arra, hogy a sugárzás a lehető legkisebb mértékben érje a szemét vagy a bőrt. Gondoskodjon a megfelelő védelemről.
- i) Gondoskodjon a megfelelő védelemről, vagy viseljen szemvédőt.
- j) Ne nézzen bele a működő lámpába. Ez kárt tehet a szemeiben.
- k) A lámpa fénye irritálhatja a szemet vagy a bőrt. Ügyeljen arra, hogy a lámpa fénye ne jusson a szemébe.

## A lámpa akkumulátorának használata és kezelése

1. Az akkumulátor töltése csak a gyártó által megadott típusú töltővel végezhető. Egy adott típusú akkumulátorhoz való töltés más típusú akkumulátorral használva akár tüzet is okozhat.
2. A lámpát kizárólag a megadott típusú akkumulátorokkal szabad használni. Bármilyen más akkumulátor használata személyi sérülés és tűz kockázatával járhat.
3. A használaton kívüli akkumulátort tartsa távol fémtárgyaktól – például papírkapcsoktól, érméktől, kulcsoktól, szögektől, csavaroktól, illetve más kis fémtárgyaktól –, amelyek esetleg rövidre zárhatják az akkumulátor pólusait. Az akkumulátor érintkezőinek rövidre zárása égési sérüléseket vagy tüzet okozhat.
4. Rendellenes használat esetén az akkumulátorból folyadék fröccsenhet ki. Kerülje az ilyen folyadékkal való érintkezést. Ha véletlenül mégis hozzáért, bő vízzel öblítse le. Ha a folyadék a szemébe került, kérje orvos segítségét is. Az akkumulátorból kifröccsenő folyadék irritációt vagy égéseket okozhat.

## FONTOS BIZTONSÁGI TUDNIVALÓK AZ AKKUMULÁTOR HASZNÁLATÁRA VONATKOZÓAN

1. Az akkumulátor használatba vétele előtt olvassa el figyelmesen a vonatkozó utasításokat, és ismerkedjen meg az (1) akkumulátortöltőn, az (2) akkumulátoron és a (3) készüléken feltüntetett figyelmeztető jelekkel.
2. Az akkumulátort nem szabad szétszerelni.
3. Ha a készülék üzemideje jelentősen lecsökken, haladéktalanul kapcsolja ki a készüléket. A további használat ilyen esetben túlmelegedéshez vezethet, ami égéseket, illetve akár robbanást is okozhat.
4. A szembe kerülő elektrolitot tiszta vízzel öblítse ki, majd azonnal forduljon orvoshoz. Ilyen esetben akár a látását is elveszítheti.
5. Az akkumulátor pólusait nem szabad rövidre zární:
  - (1) Ne érintsen vezetőképes anyagot a csatlakozópólusokhoz.
  - (2) Ne tárolja az akkumulátort egyéb fémtárgyakkal, pl. szögekkel vagy érmékkel teli tartóban.
  - (3) Ügyeljen arra, hogy az akkumulátort ne érje víz vagy eső.
 A rövidre zárt akkumulátor túláramot, túlmelegedést, égési sérüléseket, illetve a készülék meghibásodását is eredményezheti.
6. Ne tárolja a lámpát és az akkumulátort 50°C-ot elérő vagy annál melegebb hőmérsékletű helyen.
7. Az akkumulátort még akkor sem szabad tűzbe dobni, ha súlyosan károsodott vagy teljesen lemerült. A tűzben az akkumulátor felrobbanhat.
8. Az akkumulátort ütogetni és leejteni sem szabad.
9. A károsodott akkumulátort nem szabad használni.
10. Az akkumulátor ártalmatlanítását a helyi előírások szerint végezze.

## Hogyan hozhatja ki a maximális élettartamot a készülék akkumulátorából?

1. Még az előtt töltse fel az akkumulátort, hogy teljesen lemerülne.  
Ha működtetés során a lámpa teljesítményének csökkenését észleli, kapcsolja ki azt, majd töltse fel az akkumulátort.

2. A teljesen feltöltött akkumulátort ne tegye töltőre. A túltöltés csökkenti az akkumulátor élettartamát.
3. Az akkumulátor töltését 10°C – 40°C hőmérsékletű helyiségben végezze. Töltés előtt várja meg, hogy a felmelegedett akkumulátor lehűljön.
4. Ha huzamosabb ideig nem használja, legalább hat havonként egyszer tölts fel az akkumulátort.

**Tegye el biztos helyre az összes figyelmeztető dokumentumot és útmutatót, mert később még szüksége lehet rájuk.**

## ÖSSZESZERELÉS

### ⚠ FIGYELEM!

- Mielőtt bármilyen műveletet végezne a lámpán, mindig kapcsolja ki, húzza ki a konnektorból, és vegye ki belőle az akkumulátort.

### A keret és a talp összeszerelése (1. ábra)

A munkalámpa a következőképpen szerelhető össze:

1. Távolítsa el a csavarokat.
2. Illessze a keret lábait a talpra.
3. Igazítsa össze a keret és a talp furatait.
4. Rögzítse őket a csavarokkal.

## A MŰKÖDÉS LEÍRÁSA

### ⚠ FIGYELEM!

- Beállítás vagy a működés ellenőrzése előtt mindig kapcsolja ki a lámpát, húzza ki a konnektorból, és vegye ki belőle az akkumulátort.

### A készülék használata akkumulátorral:

### Az akkumulátor behelyezése, illetve eltávolítása

#### ⚠ FIGYELEM!

- Az akkumulátor behelyezése és eltávolítása előtt mindig kapcsolja ki a lámpát, és húzza ki a konnektorból.
- **Az akkumulátor behelyezése és eltávolítása során mindig tartsa erősen a lámpát és az akkumulátort.** Ellenkező esetben a lámpa és az akkumulátor kieshet a kezéből, ami a lámpa és az akkumulátor károsodását, illetve akár személyi sérülést is okozhat.

Az akkumulátor behelyezése előtt oldja ki a fedél reteszét, majd nyissa ki az akkumulátor fedelét. Ezt követően helyezze be az akkumulátort. Igazítsa össze az akkumulátor nyelvét a ház hornyával, majd csúsztassa a helyére. Tolja a helyére egészen addig, amíg egy kattantást nem hall. Ezután csukja le az akkumulátor fedelét. (2. ábra)

Az akkumulátor eltávolításához csúsztassa ki az akkumulátort a lámpából, miközben az elején lévő gombot is eltolja.

### ⚠ FIGYELEM!

- Mindig tegye teljesen a helyére az akkumulátort. Ellenkező esetben az akkumulátor véletlenül kieshet a lámpából, sérülést okozva Önnek vagy a közelben tartózkodó más személynek.
- Ne erőltesse az akkumulátor behelyezését. Ha nem csúszik könnyen a helyére, akkor nincs teljesen a helyén.

### A készülék használata hálózati váltóáramról:

Csatlakoztassa a csatlakozódugaszt az elektromos hálózathoz. (3. ábra)

## A LED-lámpa bekapcsolása (4. ábra)

A kapcsolót egyszer megnyomva a készülék nagy fényerővel világít (magas fokozat). A kapcsolót még egyszer megnyomva a készülék gyenge fényerővel világít (alacsony fokozat). A lámpa kikapcsolásához nyomja meg még egyszer a kapcsolót.

## Akkumulátorvédő rendszer (5. ábra)

Az akkumulátor élettartamának meghosszabbítása érdekében a lámpa akkumulátorvédő rendszerrel rendelkezik.

Ha az akkumulátor töltöttségi szintje lecsökken, a LED-ek a második sor közepén lévő dióda kivételével kialszanak. Ezután pedig körülbelül öt-tíz perc elteltével a készülék automatikusan kikapcsol.

## MŰKÖDTETÉS

### ⚠ FIGYELEM!

- A lámpa munkaterületeken történő használatra szolgál. Háztartási célokra nem használható.
- A lámpát mindig vízszintes és stabil felületre helyezze. A leeső vagy eldőlt készülék balesetet okozhat.

### A lámpa dőlésszögének beállítása (6. ábra)

Lazítsa meg mindkét oldalon a rögzítógombokat. Állítsa be a lámpa dőlésszögét. Húzza meg újra a rögzítógombokat.

### A lámpa használata háromlábú állvánnyal vagy konzollal (opcionális tartozékok) (7. ábra)

#### ⚠ FIGYELEM!

- Olvassa el a tartozékok használati útmutatóját, mielőtt használni kezdené őket a munkalámpával.
- Háromlábú állvány vagy konzol használata esetén a világítóegység teljes magassága nem haladhatja meg az 1,75 métert.

A munkalámpa háromlábú állványra van konzolra szerelve egyszerűbben használhatja.

## KARBANTARTÁS

### ⚠ FIGYELEM!

- Ellenőrzés és karbantartás előtt mindig kapcsolja ki a lámpát, húzza ki a konnektorból, és vegye ki belőle az akkumulátort.
- Ne használjon benzint, gázolajat, hígítót, alkoholt vagy egyéb hasonló anyagot. Ha mégis ilyet használ, az elszíneződéshez vagy repedéshez vezethet.

A készüléken a felhasználó kizárólag a jelen használati útmutatóban ismertetett karbantartási műveleteket végezheti el. Az összes többi műveletet hivatalos Makita szervizközpontban kell elvégeztetni.

### Tisztítás

Időnként törölje át a lámpa házát szappanos vízbe mártott ruhával.

A termék BIZTONSÁGÁNAK és MEGBÍZHATÓ működésének megőrzése érdekében az összes többi karbantartási és beállítási munkát hivatalos Makita szervizközpontban kell elvégeztetni, eredeti Makita pótkatrészek felhasználásával.

## OPCIONÁLIS TARTOZÉKOK

### FIGYELEM!

- A jelen útmutatóban szereplő Makita lámpával az itt ismertetett tartozékok és kiegészítők használatát javasoljuk. Bármilyen más kiegészítő és tartozék használata személyi sérülést okozhat. A kiegészítők és tartozékok kizárólag rendeltetésszerűen használhatók. Amennyiben a tartozékokkal kapcsolatban további tájékoztatásra vagy segítségre van szüksége, kérje a helyi hivatalos Makita szervizközpont segítségét.

- Gyári Makita akkumulátor és töltő
- Háromlábú állvány
- Konzol
- Csilllogásgátló réteg

### MEGJEGYZÉS:

- Előfordulhat, hogy a listában szereplő egyes tartozékok alapáron járnak a lámpa mellé. A csomag tartalma országonként változik.

**Popis celkového pohľadu**

1 Rám	5 Kryt batérie	8 Prepínač
2 Základňa	6 Blok batérií	9 Gombík
3 Skrutka	7 Zástrčka (tvar sa môže v závislosti od krajiny líšiť)	
4 Zámok krytu		

**ŠPECIFIKÁCIE**

Model	DML805			
LED	20 x 0,6 W			
Prevádzková doba* (s batériou BL1830)	(približne) vysoký výkon: 5 hodín / nízký výkon: 10 hodín			
Zdroj napájania	220 – 240 V 50 – 60 Hz stried. alebo 14,4 V / 18 V jednosm.			
Štandardný blok batérií	BL1415 / BL1415N	BL1430 / BL1440 / BL1450	BL1815 / BL1815N / BL1820	BL1830 / BL1840 / BL1850
Napätie (s prevádzkou s napájaním z batérie)	14,4 V		18 V	
Rozmery (D x Š x V)	214 mm x 261 mm x 328 mm			
Čistá hmotnosť	2,3 kg	2,5 kg	2,4 kg	2,6 kg
Oblasť pôsobenia tlaku (oblasť šošovky)	0,0195 m <sup>2</sup>			

- Kvôli nášmu pokračujúcemu programu výskumu a vývoja, technické údaje uvedené v tomto dokumente podliehajú zmenám bez upozornenia.
- Technické údaje a blok batérie sa môžu v závislosti od krajiny líšiť.
- Hmotnosť, s blokom batérie, podľa EPTA-Procedure 01/2003
- \* Táto hodnota je len odporúčaná. Môže sa meniť podľa stavu a prostredia batérie.

**Symbols**

V nasledujúcej časti sú uvedené symboly používané pre toto zariadenie. Pred použitím stroja sa uistite, že rozumiete ich významu.



- Prečítajte si návod na obsluhu.



- Použitie len vo vnútornom prostredí



- Len pre krajiny EÚ  
Elektrické zariadenia ani bloky batérií nelikvidujte spolu s komunálnym odpadom!

V súlade s európskymi smernicami o zbere a recyklácii elektrického a elektronického odpadu, ako aj batérií a akumulátorov a opotrebovaných batérií a akumulátorov a ich zavedením do štátnej legislatívy, sa musia elektrické zariadenia a batérie a bloky batérií, ktoré dosiahli koniec svojej životnosti, zbierať osobitne a odovzdávať inštitúcii vykonávajúcej ekologickú recykláciu odpadov.



- DVOJITÁ IZOLÁCIA



- Optické žiarenie (ultrafialové a infračervené).  
Minimalizujte mieru pôsobenia na oči a pokožku.



- Nehľadte do zapnutého svietidla.



- Používajte vhodný ochranný kryt alebo ochranu zraku.



- Zdroj svetla v tomto svietidle smie vymeniť len autorizované servisné stredisko.



- Venujte osobitnú starostlivosť a pozornosť!

**DÔLEŽITÉ BEZPEČNOSTNÉ POKYNY**

**⚠ VÝSTRAHA:** Pri používaní svietidiel sa musia vždy dodržiavať základné bezpečnostné pokyny, aby sa znížilo riziko vzniku požiaru, zasiahnutia elektrickým prúdom a zranenia osôb, vrátane nasledovného:

**PREČÍTAJTE SI VŠETKY POKYNY.**

**⚠ POZOR:**

1. Keď sa svietidlo nepoužíva, vždy vypnite a odpojte / vyberte blok batérií zo zariadenia.
2. Nezakrývajte ani neobalujte svietidlo tkaninou či kartónom, atď. Jeho zakrytie alebo obalenie môže spôsobiť vznietenie.
3. Svietidlo nepoužívajte na vlhkých ani mokrych miestach. Svietidlo nevystavujte pôsobeniu dažďa ani snehu. Neumývajte ho vo vode.
4. Svietidlo nepoužívajte vo výbušnom prostredí, v ktorom sa vyskytujú horľavé kvapaliny, plyny alebo prach.

5. Zástrčky svietidiel musia zodpovedať elektrickej zásuvke. Nikdy žiadnym spôsobom neupravujte zástrčku. Nepoužívajte žiadne adaptérové zástrčky s uzemnenými (ukostrenými) svietidlami. Neupravené zástrčky a zodpovedajúce elektrické zásuvky znižujú riziko zasiahnutia elektrickým prúdom.
6. Vyhnajte sa kontaktu s ukostrenými alebo uzemnenými povrchmi, ako sú potrubia, radiátory, sporáky a chladničky. Ak je vaše telo uzemnené alebo ukostrené, hrozí zvýšené riziko zasiahnutia elektrickým prúdom.
7. S káblom nezaobchádzajte nešetrne. Nikdy nepoužívajte kábel na prenášanie, ťahanie ani odopájanie svietidla. Kábel uchovávajte mimo pôsobenia tepla, oleja, ostrých hrán alebo pohyblivých častí. Poškodené alebo zamotané káble zvyšujú riziko zasiahnutia elektrickým prúdom.
8. Ak dôjde k poškodeniu vonkajšieho ohybného kábla alebo prívodu tohto svietidla, musí ho vymeniť výlučne autorizované servisné stredisko, aby sa vyhol ohrozeniu.
9. Nehľadte do LED svietidla ani do zdroja svetla priamo.

Toto svietidlo sa klasifikovalo do rizikovej skupiny 1.

- a) Svietidlo alebo systém svietidla presahuje vyňatú skupinu, pričom riziko spojené s používaním závisí od spôsobu, akým používateľa inštalujú a používajú daný výrobok;
- b) Nebezpečenstvo najviac obmedzujúceho optického žiarenia a iné nebezpečenstvá optického žiarenia presahujúce vyňatú skupinu.
- c) Správna montáž, inštalácia, údržba a bezpečné používanie, vrátane jasných výstrah týkajúcich sa pokynov na predchádzanie možnému pôsobeniu nebezpečného optického žiarenia.
- d) Pokyny na bezpečné prevádzkové postupy a výstrahy ohľadom neobstaranosti, nesprávneho fungovania a nebezpečných poruchových stavov, ktorým je možné v rozumnej miere predchádzať.
- e) UPOZORNENIE: Ultrafialové a infračervené žiarenie tohto výrobku.
- f) VÝSTRAHA: Infračervené žiarenie tohto výrobku.
- g) POZOR: Z tohto výrobku sa vysiela potenciálne nebezpečné optické žiarenie.
- h) Minimalizujte mieru pôsobenia na oči a pokožku. Používajte vhodný ochranný kryt.
- i) Používajte vhodný ochranný kryt alebo ochranu zraku.
- j) Nehľadte do zapnutého svietidla. Môže to byť škodlivé pre oči.
- k) Po pôsobení sa môže vyskytnúť podráždenie očí alebo pokožky. Vyhnajte sa pôsobeniu na oči.

### **Používanie a starostlivosť o svietidlo napájané z batérií**

1. Nabíjajte len pomocou nabíjačky určenej výrobcom. Nabíjačka vhodná pre jeden typ bloku batérií môže predstavovať riziko vzniku požiaru, keď sa použije s iným typom bloku batérií.

2. Svietidlá používajte len s výslovnými určenými blokmi batérií. Použitie akýchkoľvek iných blokov batérií môže predstavovať riziko zranenia a vzniku požiaru.
3. Keď sa blok batérií nepoužíva, uchovávajte ho mimo iných kovových predmetov, ako sú kancelárske spinky, mince, kľúče, klince, skrutky či iné malé kovové predmety, ktoré môžu vytvoriť spojenie medzi jednotlivými konektormi. Skratovanie konektorov batérie môže spôsobiť popálenie alebo vznik požiaru.
4. Pri zlom zaobchádzaní môže z batérie vytečť elektrolyt; vyhnajte sa kontaktu. Ak dôjde k náhodnému kontaktu, zasiahnuté miesto opláchnite vodou. Ak sa elektrolyt dostane do kontaktu s očami, vyhľadajte ešte aj lekársku pomoc. Elektrolyt vytečený z batérie môže spôsobiť podráždenie alebo popálenie.

### **DÔLEŽITÉ BEZPEČNOSTNÉ POKYNY TÝKAJÚCE SA BLOKU BATÉRIÍ**

1. Pred použitím bloku batérií si prečítajte všetky pokyny a výstražné označenia na (1) nabíjačke, (2) batérii a (3) výrobku, v ktorom sa batéria používa.
2. Nerozoberajte blok batérií.
3. Ak sa prevádzková doba nadmerne skráti, okamžite ukončite činnosť. Mohlo by dôjsť k riziku prehriatia, možným popáleninám a dokonca aj k výbuchu.
4. Ak sa elektrolyt dostane do očí, vypláchnite ich čistou vodou a ihneď vyhľadajte lekársku pomoc. Mohlo by to viesť k strate zraku.
5. Neskratujte blok batérií:
  - (1) Nedotýkajte sa konektorov žiadnym vodivým materiálom.
  - (2) Neskladujte blok batérií v nádobe spolu s inými kovovými predmetmi, ako sú klince, mince, atď.
  - (3) Nevystavujte blok batérií pôsobeniu vody či dažďa.
 Skrat batérie môže spôsobiť veľký tok prúdu, prehriatie, možné popálenie a dokonca aj poruchu.
6. Neskladujte svietidlo a blok batérií na miestach, kde teplota môže dosiahnuť alebo prekročiť 50°C.
7. Blok batérií nespálujte ani v prípade, že je vážne poškodený alebo úplne opotrebovaný. Blok batérií môže v ohni vybuchnúť.
8. Dbajte na to, aby nedošlo k pádu alebo nárazu batérie.
9. Nepoužívajte poškodenú batériu.
10. Dodržiavajte miestne predpisy týkajúce sa likvidácie batérie.

### **Tipy na zachovanie maximálnej životnosti batérie**

1. Blok batérií nabíjajte pred úplným vybitím. Vždy prestaňte používať svietidlo a nabíjajte blok batérií, keď si všimnete zníženie výkonu svietidla.
2. Nikdy nenabíjajte úplne nabitý blok batérií. Prebíjanie skracuje prevádzkovú životnosť batérie.
3. Blok batérií nabíjajte pri izbovej teplote 10°C – 40°C. Pred nabíjaním nechajte horúci blok batérií vychladnúť.
4. Blok batérií nabíjajte raz každých šesť mesiacov, ak ho dlhý čas nepoužívate.

### **Uchovajte všetky výstrahy a pokyny na použitie v budúcnosti.**



## ZOSTAVA

### POZOR:

- Vždy sa uistite, že je svetidlo vypnuté, odpojené od elektrickej zásuvky a že je blok batérií vybratý pred vykonávaním akejkoľvek práce na svetidle.

### Zmontovanie rámu a základne (Obr. 1)

Pracovné svetidlo zmontujte nasledujúcim spôsobom:

1. Odstráňte skrutky.
2. Vložte nôžky rámu do základne.
3. Zarovnajte otvory rámu a základne.
4. Pritiahnite ich pomocou skrutiek.

## POPIS FUNKCIE

### POZOR:

- Vždy sa uistite, že je svetidlo vypnuté, odpojené od elektrickej zásuvky a že je blok batérií vybratý pred nastavovaním alebo kontrolou fungovania svetidla.

### Použitie s batériou:

#### Vkladanie alebo vyberanie bloku batérií

### POZOR:

- Vždy vypnite a odpojte svetidlo od elektrickej zásuvky pred vkladáním alebo vyberaním bloku batérií.
- **Pevne držte svetidlo a blok batérií pri vkladaní alebo vyberaní bloku batérií.** Ak nebudete pevne držať svetidlo a blok batérií, môžu vám vyklznúť z rúk a spôsobiť poškodenie svetidla a bloku batérií a zranenie osôb.

Ak chcete vložiť blok batérií, uvoľnite zámok krytu a otvorte kryt batérie. A potom vložte blok batérií. Zarovnajte jazýček na bloku batérií s drážkou v kryte a zasuňte ho na miesto. Vložte ho úplne tak, aby s cvaknutím zapadol na miesto. Potom zatvorte kryt batérie. (Obr. 2)

Ak chcete vybrať blok batérií, vysuňte ho zo svetidla pri súčasnom posúvaní tlačidla na prednej časti bloku.

### POZOR:

- Vždy založte blok batérií úplne na miesto. V opačnom prípade môže náhodne vypadnúť zo svetidla a spôsobiť vám alebo niekomu vo vašej blízkosti zranenie.
- Blok batérií nekladajte násilím. Ak sa blok nezasunie ľahko, znamená to, že sa vkladá nesprávne.

### Používanie so sieťovým napájaním:

Pripojte zástrčku k sieťovému napájaniu. (Obr. 3)

### Zapnutie LED svetidla (Obr. 4)

Po jednom stlačení prepínača sa svetidlo rozsvieti jasným svetlom (režim vysokého výkonu). Po opätovnom stlačení prepínača sa svetidlo rozsvieti miernym svetlom (režim nízkeho výkonu). Ak chcete vypnúť svetidlo, znova stlačte prepínač.

### Systém ochrany batérie (Obr. 5)

Toto svetidlo je vybavené systémom ochrany batérie na predĺženie životnosti batérie.

Keď sa batéria takmer úplne vybije, LED indikátory zhasnú okrem jedného LED indikátora (v strede druhého radu). Potom, približne po piatich až desiatich minútach systém automaticky odpojí napájanie.

## OBSLUHA

### POZOR:

- Toto pracovné svetidlo je určené na použitie pri práci v teréne. Nepoužívajte toto pracovné svetidlo na domáce účely.
- Vždy položte toto svetidlo na ploché a stabilné miesto. V opačnom prípade môže dôjsť k nehode.

### Nastavenie uhla pracovného svetidla (Obr. 6)

Uvoľnite gombíky na oboch stranách. Nastavte uhol pracovného svetidla. Potom znova pritiahnite gombíky.

### Použitie so statívom alebo upínacím zariadením (voľiteľné príslušenstvo) (Obr. 7)

### POZOR:

- Pozorne si prečítajte návody na obsluhu príslušenstva pred ich použitím spolu s pracovným svetidlom.
- Pri použití so statívom alebo upínacím zariadením dbajte na to, aby celková výška nepresiahla 1,75 m.

Pracovné svetidlo môžete namontovať na statív alebo upínacie zariadenie, aby sa uľahčila obsluha.

## ÚDRŽBA

### POZOR:

- Vždy sa uistite, že je svetidlo vypnuté, odpojené od elektrickej zásuvky a že je blok batérií vybratý pred snahou o vykonanie kontroly alebo údržby.
- Nikdy nepoužívajte benzín, benzén, riedidlo, alkohol ani žiadne podobné látky. Mohlo by dôjsť k odfarbeniu, deformácii alebo prasklinám.

Používateľ smie vykonávať len údržbu uvedenú v tomto návode na obsluhu. Akékoľvek iné práce na tomto zariadení smú vykonávať len autorizované servisné strediská spoločnosti Makita.

### Čistenie

Občas poutierajte vonkajšiu časť svetidla (konštrukciu svetidla) pomocou handričky navlhčenej v mydlovej vode.

Aby sa zachovala BEZPEČNOSŤ a SPOLAHLIVOSŤ výrobu, opravy, akúkoľvek inú údržbu alebo nastavenie by mali vykonávať autorizované servisné strediská spoločnosti Makita, a to vždy s použitím náhradných dielov značky Makita.

## VOLITEĽNÉ PRÍSLUŠENSTVO

### POZOR:

- Toto príslušenstvo alebo tieto prídavné zariadenia sa odporúčajú na použitie s vaším svetidlom značky Makita uvedeným v tomto návode. Použitie akéhokoľvek iného príslušenstva alebo akýchkoľvek iných prídavných zariadení môže predstavovať riziko zranenia osôb. Príslušenstvo a prídavné zariadenia používajte len na ich stanovený účel.

Ak potrebujete akúkoľvek pomoc pri získaní ďalších podrobností oľhľadom tohto príslušenstva, obráťte sa na svoje miestne servisné stredisko spoločnosti Makita.

- Originálna batéria a nabíjačka značky Makita
- Statív
- Upínacie zariadenie
- Antireflexná fólia

### POZNÁMKA:

- Niektoré položky v zozname môžu byť súčasťou balenia svetidla ako štandardné príslušenstvo. Môžu sa však v závislosti od krajiny líšiť.

Vysvětlivky k přehlednému nákreсу

- |                  |   |           |
|------------------|---|-----------|
| 1 Rám            | 5 Kryt akumulátoru                                      | 8 Spínač  |
| 2 Podstavec      | 6 Akumulátor  | 9 Knoflík |
| 3 Šroub          | 7 Vidlice (tvar se může mezi jednotlivými zeměmi lišit) |           |
| 4 Pojistka krytu |   |           |

TECHNICKÉ ÚDAJE

Model	DML805			
LED	20 x 0,6 W			
Provozní doba* (s akumulátorem BL1830)	(Přibližně) Hlavní režim: 5 hodin / Úsporný režim: 10 hodin			
Napájení	220 – 240 V 50 – 60 Hz stř. nebo 14,4 V / 18 V ss.			
Standardní akumulátor	BL1415 / BL1415N	BL1430 / BL1440 / BL1450	BL1815 / BL1815N / BL1820	BL1830 / BL1840 / BL1850
Příkon (při provozu na akumulátor)	14,4 V		18 V	
Rozměry (D x Š x V)	214 mm x 261 mm x 328 mm			
Čistá hmotnost	2,3 kg	2,5 kg	2,4 kg	2,6 kg
Plocha vystavená tlaku (Oblast čočky)	0,0195 m <sup>2</sup>			

- Vzhledem k našemu nepřetržitému programu výzkumu a vývoje jsou zde uvedené technické parametry předmětem změny bez předchozího upozornění.
- Technické údaje a akumulátor se mohou mezi jednotlivými zeměmi lišit.
- Hmotnost, s akumulátorem, na základě metody EPTA-01/2003
- \* Tato hodnota je pouze informativní. Může se lišit podle podmínek a prostředí akumulátoru.

Symbols

Na zařízení se používají následující symboly. Než začnete zařízení používat, přesvědčte se, že symbolům rozumíte.



- Přečtěte si návod k použití.



- Používat pouze v interiéru



- Pouze pro země EU  
Elektrická zařízení nebo akumulátory nevyhazujte společně s domovním odpadem!  
Podle Evropských směrnic o elektrických odpadech a elektronickém zařízení, o bateriích a akumulátorech a vypořebených bateriích a akumulátorech, a jejich použití v souladu s národními zákony, elektrické zařízení, baterie a akumulátory, které dosáhly konce své životnosti, je nutno shromažďovat odděleně a předat firmě zabývající se recyklací šetrnou k životnímu prostředí.



- DVOJITÁ IZOLACE



- Optické záření (ultrafialové a infračervené).  
Minimalizujte expozici očí nebo pokožky.



- Do zapnuté lampy se nedívejte.



- Použijte vhodné zastínění nebo ochranu zraku.



- Výměnu světelného zdroje osazeného v této svítelně může provádět pouze autorizované servisní středisko.



- Buďte obzvláště opatrní a dávejte pozor!

DŮLEŽITÉ BEZPEČNOSTNÍ POKYNY

**VAROVÁNÍ:** Kvůli snížení nebezpečí vzniku požáru, úrazu elektrickým proudem a zranění osob je při používání svítlen nutno vždy dodržovat základní bezpečnostní opatření, včetně následujících:

**ČTĚTE VŠECHNY POKYNY.**

**UPOZORNĚNÍ:**

1. Pokud se svítlna nepoužívá, vždy ji vypněte a odpojte / vyjměte z ní akumulátor.
2. Svítlnu nikdy nezakrývejte nebo neobalujte tkaninou nebo kartonem apod. Při jejím přikrytí nebo zabalení může vzniknout požár.
3. Svítlnu nepoužívejte ve vlhkém nebo mokřém prostředí. Svítlnu nevystavujte dešti nebo sněhu. Neomyvejte ji vodou.
4. Svítlnu nepoužívejte ve výbušném prostředí, například v blízkosti hořlavých kapalin, plynů nebo prachu.

5. Vidlice svítilny musí odpovídat typu zásuvky. Vidlici nikdy žádným způsobem neupravujte. U zemněných svítilen nikdy nepoužívejte žádné vidlicové adaptéry. Při použití neupravených vidlic a odpovídajících zásuvek se sníží nebezpečí úrazu elektrickým proudem.
6. Dávejte pozor, aby během provozu nedošlo ke kontaktu vašeho těla s uzemněnými předměty (např. potrubí, radiátory, sporáky a chladničky). Pokud je vaše tělo uzemněno, existuje zvýšené nebezpečí úrazu elektrickým proudem.
7. Nenamáhejte kabel. Kabel nikdy nepoužívejte k přenášení, tahání nebo odpojení svítilny ze zásuvky. Kabel udržujte z dosahu tepla, oleje, ostrých hran nebo pohyblivých dílů. Poškozené nebo zamotané kabely zvyšují nebezpečí úrazu elektrickým proudem.
8. Pokud bude externí prodlužovací kabel nebo kabel této svítilny poškozen, měl by se nechat v autorizovaném servisním středisku vyměnit, aby nedošlo k úrazu.
9. Do LED svítilny nebo světelného zdroje se nikdy nedívejte přímo.

Svítilna byla zařazena do rizikové skupiny 1.

- a) Lampa nebo svítilna přesahuje skupinu výjimek a míra nebezpečí pro uživatele závisí na způsobu instalace a používání produktu;
- b) Nejvíce omezující nebezpečí představuje optické záření a další rizika související s optickým zářením, která přesahují skupinu výjimek.
- c) Je nutno dodržet správný postup při sestavení, instalaci, údržbě a zásady bezpečného používání včetně jasných varování, která se týkají opatřením proti působení nebezpečného optického záření.
- d) Pokyny týkající se bezpečného provozu a varování související s důvodně předpokládaným neodborným zacházením, závadami a nebezpečnými typy poruch.
- e) **UPOZORNĚNÍ:** Tento produkt vydává ultrafialové a infračervené záření.
- f) **VAROVÁNÍ:** Tento produkt vydává infračervené záření.
- g) **UPOZORNĚNÍ:** Možné nebezpečné optické záření z tohoto produktu.
- h) Minimalizujte expozici očí nebo pokožky. Použijte vhodné zastínění.
- i) Použijte vhodné zastínění nebo ochranu zraku.
- j) Do zapnuté lampy se nedívejte. Pro váš zrak to může být nebezpečné.
- k) Výsledkem působení záření může být podráždění zraku nebo pokožky. Chraňte svůj zrak.

### Používání a údržba akumulátoru svítilny

1. K nabíjení používejte pouze nabíječku určenou výrobcem. Nabíječka, která je vhodná pro určitý druh akumulátoru a bude použita s jiným typem akumulátoru, může představovat nebezpečí požáru.
2. Svítilny používejte pouze s výhradně určenými akumulátory. Při použití jiných akumulátorů může dojít ke vzniku nebezpečí zranění a požáru.
3. Pokud se akumulátor nepoužívá, chraňte ho před dotykem s jinými kovovými předměty, jako jsou kancelářské sponky, mince, klíče, hřebíky, šrouby nebo jiné drobné kovové předměty, které mohou vytvořit zkrat mezi kontakty. Při zkratování kontaktů akumulátoru může dojít ke vzniku popálenin nebo požáru.

4. Při nesprávném použití může z akumulátoru vystříknout kapalina. Zabraňte kontaktu. Pokud dojde k náhodnému kontaktu, postižené místo omyjte vodou. Pokud se kapalina dostane do očí, vyhledejte lékařskou pomoc. Kapalina vystřiklá z akumulátoru může způsobit podráždění nebo popáleniny.

## DŮLEŽITÉ BEZPEČNOSTNÍ POKYNY PRO AKUMULÁTOR

1. Před použitím akumulátoru si přečtěte všechny pokyny a varovné symboly na (1) nabíječce, (2) akumulátoru a na (3) výrobku využívajícím akumulátor.
2. Akumulátor nerozebírejte.
3. Pokud se provozní doba výrazně zkracuje, okamžitě přestaňte přístroj používat. Jinak může dojít k přehřátí, vzniku popálenin a dokonce i k výbuchu.
4. Pokud se vám dostane do očí elektrolyt, opláchněte si je čistou vodou a okamžitě vyhledejte lékařskou pomoc. Jinak může dojít ke ztrátě zraku.
5. Dbejte, aby nedošlo ke zkratu akumulátoru:
  - (1) Svorek se nedotýkejte vodivými předměty.
  - (2) Akumulátor neukládejte do krabic s jinými kovovými předměty, např. s hřebíky, mincemi apod.
  - (3) Akumulátor nevystavujte vlhku nebo dešti.
 Při zkratu může v akumulátoru vzniknout velký průtok proudu, přehřátí, může dojít k popálení či dokonce havárii.
6. Svítilnu a akumulátor neskladujte v prostředí, kde může teplota dosáhnout hodnoty 50°C nebo ji překročit.
7. Akumulátor nevhazujte do ohně, ani když je vážně poškozen nebo skončila jeho životnost. Akumulátor může v ohni explodovat.
8. Dejte pozor, abyste akumulátor neupustili nebo aby neutrpěl náraz.
9. Nepoužívejte poškozený akumulátor.
10. Dodržujte místní předpisy týkající se likvidace akumulátorů.

### Tipy pro zachování maximální životnosti akumulátoru

1. Akumulátor před úplným vybitím dobijte. Pokud zaznamenáte snížení výkonu svítilny, přestaňte ji používat a akumulátor nabijte.
2. Plně nabitý akumulátor nikdy nenabíjejte. Přebíjením se zkracuje doba životnosti akumulátoru.
3. Akumulátor nabíjejte při pokojové teplotě 10°C až 40°C. Horký akumulátor nechte před nabíjením vychladnout.
4. Pokud akumulátor delší dobu nepoužíváte, každých šest měsíců ho nabijte.

**Veškerá bezpečnostní upozornění a pokyny si uložte k pozdějšímu nahlédnutí.**

## SESTAVENÍ

### UPOZORNĚNÍ:

- Než začnete se svítilnou provádět jakékoli práce, vždy se přesvědčte, že je vypnutá, odpojená od sítě a má vyjmutý akumulátor.

## Sestavení rámu a podstavce (Obr. 1)

Při sestavování svítliny postupujte takto:

1. Vyjměte šrouby.
2. Nožky rámu nasaděte do podstavce.
3. Nastavte proti sobě otvory v rámu a otvory podstavce.
4. Utáhněte je šrouby.

## POPIS FUNKCÍ

### ⚠ UPOZORNĚNÍ:

- Před seřizováním nebo kontrolou funkcí svítliny si vždy ověřte, že je vypnutá, odpojená od sítě a má vyjmutý akumulátor.

## Napájení z akumulátoru:

### Instalace nebo vyjmutí akumulátoru

#### ⚠ UPOZORNĚNÍ:

- Před instalací nebo vyjmutím akumulátoru vždy svítlinu vypněte a odpojte.
- Při instalaci nebo vyjímání akumulátoru pevně přidržujte svítlinu i akumulátor. Jinak vám může svítlina nebo akumulátor vyklouznout z ruky a může dojít k jejich poškození a k poranění.

Chcete-li nainstalovat akumulátor, uvolněte pojistku krytu a otevřete kryt akumulátoru. Poté zasuňte akumulátor. Jazyček na akumulátoru srovnajte proti drážce na krytu a akumulátor zasuňte na místo. Zasuňte ho až na doraz, dokud se neozve klapnutí. Poté kryt akumulátoru uzavřete. (Obr. 2)

Chcete-li akumulátor vyjmout, posuňte tlačítko na přední straně držáku a přitom vysuňte akumulátor ze svítliny.

#### ⚠ UPOZORNĚNÍ:

- Akumulátor vždy zasuňte až na doraz. Pokud nebude akumulátor zasunut správně, může ze svítliny vyklouznout a zranit vás nebo někoho kolem.
- Akumulátor nenasazujte silou. Pokud nelze akumulátor snadno zasunout, nebyl správně nasazen.

## Napájení ze sítě:

Do zdroje napájení zasuňte vidlici. (Obr. 3)

### Zapnutí LED svítliny (Obr. 4)

Stiskněte spínač, rozsvítí se jasné světlo (hlavní režim). Pokud stisknete spínač znovu, rozsvítí se tlumené světlo (úsporný režim). Chcete-li svítlinu vypnout, stiskněte spínač ještě jednou.

### Systém ochrany akumulátoru (Obr. 5)

Svítlina je vybavena ochranným systémem, který slouží k prodloužení životnosti akumulátoru.

Při snížení kapacity akumulátoru LED svítlina zhasne (kromě jediné LEDky ve středu druhé řádky). Poté po zhruba pěti až deseti minutách systém automaticky odpojí napájení.

## PROVOZ

### ⚠ UPOZORNĚNÍ:

- Tato svítlina je určena pro práce v terénu. Nepoužívejte ji v domácnostech.
- Svítlinu vždy pokládejte na rovnou a stabilní plochu. Jinak by mohlo dojít k jejímu pádu.

## Nastavení úhlu svítliny (Obr. 6)

Povolte knoflíky na obou stranách. Nastavte úhel svítliny. Potom knoflíky znovu utáhněte.

## Použití se stativem nebo svěrákem (volitelné příslušenství) (Obr. 7)

### ⚠ UPOZORNĚNÍ:

- Před použitím příslušenství k pracovní svítlině čtěte pozorně návody k tomuto příslušenství.
- Při použití stativu nebo svěráku dbejte na to, aby celková výška nepřekročila 1,75 m.

Pracovní svítlinu lze kvůli usnadnění využití umístit na stativ nebo do svěráku.

## ÚDRŽBA

### ⚠ UPOZORNĚNÍ:

- Než budete provádět kontrolu nebo údržbu, vždy se přesvědčte, zda je svítlina vypnutá, odpojená a má vyjmutý akumulátor.
- Nikdy nepoužívejte benzín, technický benzín, ředidla, alkohol nebo něco podobného. Výsledkem by mohla být změna barvy, deformace nebo praskliny.

Uživatel smí provádět pouze údržbářské práce popsané v tomto návodu k použití. Jakékoli jiné práce musí provádět autorizovaná servisní střediska Makita.

### Čištění

Čas od času otřete vnější části svítliny tkaninou navlhčenou v mýdlové vodě.

Chcete-li zachovat BEZPEČNOST a SPOLEHLIVOST výrobku, veškerou další údržbu nebo seřizování musí provádět autorizovaná servisní střediska Makita, která k opravám vždy používají náhradní díly značky Makita.

## VOLITELNÉ PŘÍSLUŠENSTVÍ

### ⚠ UPOZORNĚNÍ:

- Se svítlinou Makita popisovanou v tomto návodu se doporučuje používat následující příslušenství nebo doplňky. Při použití jiného příslušenství nebo doplňků může vzniknout nebezpečí zranění osob. Příslušenství nebo doplňky používejte pouze k jejich uvedeným účelům.

Pokud budete potřebovat pomoc a další podrobnosti ohledně těchto příslušenství, obraťte se na místní servisní středisko Makita.

- Originální akumulátor a nabíječka Makita
- Stativ
- Svěrák
- Antireflexní fólie

### POZNÁMKA:

- Některé položky ze seznamu mohou být součástí dodávky svítliny jako standardní příslušenství. Mezi jednotlivými zeměmi se mohou lišit.

**Razlaga splošnega pogleda**

1 Okvir	5 Pokrov akumulatorja	8 Stikalo
2 Podstavek	6 Akumulatorski vložek	9 Gumb
3 Vijak	7 Vtič (oblika se lahko razlikuje od države do države)	
4 Zaklep pokrova		

**SPECIFIKACIJE**

Model	DML805			
LED	20 x 0,6 W			
Čas delovanja* (z akumulatorjem BL1830)	(pribl.) visoko: 5 ur / nizko: 10 ur			
Vir napajanja	220 – 240 V 50 – 60 Hz AC ali 14,4 V / 18 V DC			
Standardni akumulatorski vložek	BL1415 / BL1415N	BL1430 / BL1440 / BL1450	BL1815 / BL1815N / BL1820	BL1830 / BL1840 / BL1850
Napetost (pri delovanju na akumulator)	14,4 V		18 V	
Dimenzije (D x Š x V)	214 mm x 261 mm x 328 mm			
Neto teža	2,3 kg	2,5 kg	2,4 kg	2,6 kg
Sprejemno tlačno območje (območje leče)	0,0195 m <sup>2</sup>			

- Zaradi nenehnega razvoja in raziskav se lahko tukaj navedene specifikacije spremenijo brez vnaprejšnjega obvestila.
- Specifikacije in akumulatorski vložki se lahko razlikujejo od države do države.
- Teža z akumulatorskim vložkom v skladu s postopkom EPTA 01/2003

\* Ta vrednost je samo priporočilo. Lahko se razlikuje glede na stanje in okolje akumulatorja.

**Simboli**

V nadaljevanju so prikazani simboli, ki se uporabljajo na opremi. Pred uporabo zagotovite, da razumete njihove pomeni.



- Preberite navodila za uporabo.



- Samo za notranjo uporabo



- Samo za države EU  
Električne opreme ali akumulatorskega paketa ne odlagajte med gospodinjinske odpadke!

V skladu z evropskimi Direktivami o odpadni električni in elektronski opremi ter baterijah in akumulatorjih in odpadnih baterijah in akumulatorjih in njihovo izvedbo v skladu z nacionalnimi zakoni je treba električno opremo, akumulatorje in akumulatorske pakete, ki so dosegli konec svoje življenjske dobe, zbirati ločeno in vrniti organizaciji za recikliranje.



- DVOJNA IZOLACIJA



- Optično sevanje (UV in IR).  
Zmanjšajte izpostavljenost oči ali kože.



- Ne glejte v delujočo svetilko.



- Uporabite ustrezno zaščito ali zaščito za oči.



- Svetlobni vir v tej svetilki lahko zamenja samo pooblaščen servisni center.



- Bodite zelo previdni!

**POMEMBNA VARNOSTNA NAVODILA**

**⚠ OPOZORILO:** Pri uporabi svetilk orodja je treba vedno upoštevati osnovne varnostne ukrepe, da zmanjšate nevarnost požara, električnega udara in telesnih poškodb, vključno z naslednjimi.

**PREBERITE VSA NAVODILA.**

**⚠ POZOR:**

1. Kadar svetilke ne uporabljate, jo vedno izključite in izklopite / odstranite akumulatorski vložek.
2. Prižgane svetilke ne prekrivajte ali blokirajte s krpo, kartonom itd., ker se lahko zaneti plamen.
3. Svetilke ne uporabljajte na vlažnih ali mokrih mestih. Svetilke ne izpostavljajte dežju ali snegu. Ne čistite ga v vodi.
4. Svetilke ne uporabljajte v eksplozivnih atmosferah, kot je npr. v prisotnosti vnetljivih tekočin, plinov ali prahu.
5. Vtiči svetilke morajo ustrezati vtičnici. Vtiča nikoli na noben način ne prilagajajte. Vtičev prilagojevalnika ne uporabljajte z ozemljenimi svetilkami. Nespremenjeni vtiči in ustrezne vtičnice zmanjšajo nevarnost električnega udara.
6. Izogibajte se telesnega stika z ozemljenimi površinami, kot so na primer cevi, radiatorji, peči in hladilniki. Če je vaše telo ozemljeno, za vas obstaja večja nevarnost električnega udara.

7. Kabla ne uporabljajte v kakršne koli druge namene. Kabla nikoli ne uporabljajte za prenašanje ali vlečenje oz. za izklop svetilke. Kabla ne izpostavljajte vročini, olju, ostrim robovom ali gibljivim delom naprave. Poškodovani ali prepleteni kabli povečajo možnost električnega udara.
8. Če se zunanji gibki kabel ali kabel te svetilke poškoduje, ga lahko zamenja izključno pooblaščen servisni center, da prepreči nevarnost.
9. Ne glejte neposredno v LED-svetilko ali vir svetlobe.

Svetilka je bila uvrščena v skupino tveganja 1.

- a) Svetilka ali sistem svetilka presega skupino izjem, tveganje gledalca pa je odvisno od tega, kako uporabnik namesti in uporablja izdelek.
- b) Najbolj omejujoča nevarnost optičnega sevanja in druge nevarnosti optičnega sevanja, ki presegajo skupino izjem.
- c) Pravilna sestava, namestitvev, vzdrževanje in varna uporaba, vključno z jasnimi opozorili glede previdnostnih ukrepov za preprečitev morebitne izpostavljenosti nevarnemu optičnemu sevanju.
- d) Napotki o varnih postopkih delovanja in opozorila glede razumnih predvidljivih napačnih uporab, okvar in načinov nevarnih okvar.
- e) OPOMIN: Ta izdelek oddaja UV-žarke in IR-žarke.
- f) OPOZORILO: Ta izdelek oddaja IR-žarke.
- g) POZOR: Izdelek lahko oddaja nevarno optično sevanje.
- h) Zmanjšajte izpostavljenost oči ali kože. Uporabite ustrezno zaščito.
- i) Uporabite ustrezno zaščito ali zaščito za oči.
- j) Ne glejte v delujočo svetilko. Lahko si poškodujete oči.
- k) Izpostavljenost lahko povzroči draženje oči ali kože. Preprečite izpostavljenost oči.

#### Uporaba in vzdrževanje svetilke

1. Polnite le z polnilnikom, ki ga določi proizvajalec. Polnilnik, primeren za eno vrsto akumulatorskega vložka, predstavlja nevarnost požara, če ga uporabljate z drugo vrsto akumulatorskega vložka.
2. Svetilko uporabljajte vedno le s specifično oblikovanimi akumulatorskimi vložki. Uporaba druge vrste akumulatorskih vložkov lahko povzroči nevarnost telesnih poškodb in požara.
3. Ko akumulatorskega vložka ne uporabljate, ga ne približujte drugim kovinskim predmetom, kot so sponke, kovanci, ključi, žebliji, vijaki ali drugi majhni kovinski predmeti, ki lahko vzpostavijo povezavo med enim in drugim terminalom. Če kratko vežete terminala akumulatorja, lahko pride do opeklin ali požara.
4. Pri preobremenitvi akumulatorja lahko iz njega brizgne tekočina, katere se ne smete dotikati. Če se je nehote dotaknete, si prizadeto mesto sperite z vodo. Če vam tekočina pride v oči, poiščite zdravniško pomoč. Tekočina, ki brizgne iz akumulatorja, lahko povzroči draženje ali opekline.

## POMEMBNA VARNOSTNA NAVODILA ZA AKUMULATORSKE VLOŽKE

1. Pred začetkom uporabe akumulatorskega vložka preberite vsa navodila in previdnostne oznake na (1) akumulatorskem napajalniku, (2) akumulatorju in (3) izdelku, ki uporablja akumulator.
2. Akumulatorskega vložka ne razstavljajte.
3. Če se čas delovanja znatno skrajša, takoj prenehajte z delom. Lahko pride namreč do pregrevanja, možnih opeklin in celo eksplozije.
4. Če vam elektrolit pride v oči, si jih sperite s čisto vodo in takoj poiščite zdravniško pomoč. Lahko namreč oslepíte.
5. Akumulatorskega vložka ne vežite kratko:
  - (1) Terminalov se ne dotikajte s kakršnim koli prevodnim materialom.
  - (2) Akumulatorskega vložka ne skladiščite v zbiralniku z drugimi kovinskimi predmeti, kot so žebliji, kovanci itd.
  - (3) Akumulatorskega vložka ne izpostavljajte vodi ali dežju.
 Kratki stik akumulatorja lahko povzroči velik pretok toka, pregrevanje, možnost opeklin in celo okvaro.
6. Svetilke in akumulatorskega vložka ne skladiščite na mestih, kjer lahko temperatura doseže ali preseže 50°C.
7. Akumulatorskega vložka ne sežigajte, četudi je močno poškodovan ali povsem izrabljen. Akumulatorski vložek lahko v ognju eksplodira.
8. Pazite, da vam akumulator ne pade na tla ali ga ob kaj udarite.
9. Ne uporabljati poškodovanega akumulatorja.
10. Pri odlaganju starih akumulatorjev upoštevajte lokalne predpise.

#### Namigi za vzdrževanje največje življenjske dobe akumulatorja

1. Akumulatorski vložek napolnite, preden se povsem izprazni. Vedno zaustavite delovanje svetilke in napolnite akumulatorski vložek, ko opazite manjšo moč svetilke.
2. Nikoli ne polnite čisto napolnjenega akumulatorskega vložka. Prekomerno polnjenje skrajša življenjsko dobo akumulatorja.
3. Akumulatorski vložek polnite pri sobni temperaturi 10°C – 40°C. Pred polnjenjem počakajte, da se vroč akumulatorski vložek ohladi.
4. Če akumulatorskega vložka dlje časa ne uporabljate, ga napolnite enkrat vsakih šest mesecev.

#### Vsa opozorila in napotke hranite za poznejšo uporabo.

#### SESTAVA

##### POZOR:

- Vedno se prepričajte, da ste svetilko izključili, izklopili in odstranili akumulatorski vložek, preden začnete z delom na orodju.

#### Sestavljanje okvirja in podstavka (sl. 1)

Delovno svetilko sestavite kot sledi:

1. Odstranite vijake.
2. Vstavite noge okvirja v podstavke.
3. Poravnajte luknje okvirja in podstavka.
4. Zategnite vijake.

## OPIS FUNKCIJ

### POZOR:

- Vedno se prepričajte, da ste svetilko izkjučili, izklopili in odstranili akumulatorski vložek, preden začnete z nastavitvijo ali preverjanjem funkcij svetilke.

### Uporaba z akumulatorjem:

#### **Namestitev ali odstranitev akumulatorskega vložka**

### POZOR:

- Pred namestitvijo ali odstranitvijo akumulatorskega vložka svetilko vedno izkjučite in izklopite.
- **Pri nameščanju ali odstranjevanju akumulatorskega vložka čvrsto držite svetilko in akumulatorski vložek.** Če svetilke in akumulatorskega vložka ne boste čvrsto držali, vam lahko zdrsne iz rok, pri čemer se lahko svetilka in akumulatorski vložek poškodujeta in nastanejo telesne poškodbe.

Pri nameščanju akumulatorskega vložka sprostite zaklep pokrova in odprite pokrov akumulatorja. Nato vstavite akumulatorski vložek. Poravnajte jeziček na akumulatorskem vložku z utorom v ohišju in ga vstavite na mesto. Vstavite ga čisto do konca, da boste zaslišali majhen klik. Nato zaprite pokrov akumulatorja. (sl. 2)

Če želite odstraniti akumulatorski vložek, ga potisnite s svetilke, pri čemer držite gumb na sprednji strani vložka.

### POZOR:

- Akumulatorski vložek vedno do konca namestite na njegovo mesto. V nasprotnem primeru lahko pade iz svetilke in poškoduje vas ali koga v bližini.
- Akumulatorskega vložka ne nameščajte na silo. Če vložka ni mogoče preprosto vstaviti, to pomeni, da ga ne vstavljate pravilno.

### Uporaba z omrežnim napajanjem:

Povežite vtič v električno napajanje. (sl. 3)

#### **Vklop LED-svetilke (sl. 4)**

Če enkrat pritisnete stikalo, bo svetilka svetila svetleje (visoki način). Če ponovno pritisnete stikalo, bo svetilka svetila manj svetlo (nizki način). S ponovnim pritiskom stikala svetilko izkjučite.

#### **Sistem za zaščito akumulatorja (sl. 5)**

Svetilka je opremljena s sistemom za zaščito akumulatorja, ki podaljša življenjsko dobo akumulatorja. Ko se stanje napoljenosti akumulatorja zniža, ugasnejo vse LED-lučke razen ene (v drugi vrstici na sredini). Nato se po pribl. petih do desetih minutah sistem samodejno izkluči.

## DELOVANJE

### POZOR:

- Ta delovna svetilka je predvidena za terensko delo. Ne uporabljajte je v gospodinske namene.
- Svetilko vedno odložite na ravno in stabilno površino. Drugače lahko pade in povzroči nesrečo.

#### **Nastavitev kota delovne svetilke (sl. 6)**

Zrahljajte gumbe na obeh straneh. Prilagodite kot delovne svetilke. Nato gumbe znova zategnite.

## Uporaba s stojalom ali primežem (dodatna oprema) (sl. 7)

### POZOR:

- Pred začetkom uporabe dodatne opreme z delovno svetilko pazljivo preberite navodila za uporabo dodatne opreme.
- Pri uporabi stojala ali primeža pazite, da ne prekoračite skupne višine 1,75 m.

Delovno svetilko lahko postavite na stojalo ali primež, da si olajšate delo.

## VZDRŽEVANJE

### POZOR:

- Vedno se prepričajte, da ste svetilko izkjučili, izklopili in odstranili akumulatorski vložek, preden začnete s pregledom ali vzdrževanjem.
- Nikoli ne uporabljajte bencina, benzena, razredčila, alkohola ipd. Pojavijo se lahko razbarvanja, deformacije ali razpoke.

Uporabnik lahko izvaja samo vzdrževalno delo, opisano v teh navodilih za uporabo. Vse ostalo delo morajo opraviti pooblašteni servisni centri Makita.

### Čiščenje

Občasno je treba s krpo, navlaženo z milnico, obrisati zunanost svetilke (ohišje svetilke).

Za zagotovitev VARNOSTI in ZANESLJIVOSTI morajo popravila, vse ostalo vzdrževanje ali nastavitve izvajati pooblašteni servisni centri Makita in samo z nadomestnimi deli Makita.

## DODATNA OPREMA

### POZOR:

- Naslednja dodatna oprema ali priključki so priporočeni za uporabo z vašo svetilko Makita, specificirano v teh navodilih. Uporaba druge dodatne opreme ali priključkov lahko predstavlja nevarnost telesnih poškodb. Dodatno opremo ali priključek uporabljajte samo v predviden namen.

Če potrebujete pomoč za več podrobnosti glede te dodatne opreme, se obrnite na lokalni servisni center Makita.

- Originalni akumulator in polnilnik Makita
- Stojalo
- Primež
- Sloj proti bleščanju

### OPOMBA:

Nekateri elementi na seznamu so morda priloženi svetilki kot serijska oprema. Lahko se razlikujejo od države do države.

**Shpjegimi i pamjes së përgjithshme**

1 Korniza	5 Kapaku i baterisë	8 Çelësi
2 Bazamenti	6 Bateria	9 Rrotëza
3 Vida	7 Fisha (forma mund të ndryshojë nga njëri shtet në tjetrin)	
4 Bllokuesi i kapakut		

**SPECIFIKIMET**

Modeli	DML805			
LED	20 x 0,6 W			
Koha e përdorimit* (me bateri BL1830)	(Afërsisht) E lartë: 5 orë / E ulët: 10 orë			
Burimi i rrymës elektrike	220 – 240 V 50 – 60 Hz AC ose 14,4 V / 18 V DC			
Bateri standarde	BL1415 / BL1415N	BL1430 / BL1440 / BL1450	BL1815 / BL1815N / BL1820	BL1830 / BL1840 / BL1850
Tensioni (me përdorimin e baterisë)	14,4 V		18 V	
Përmasat (G x G x L)	214 mm x 261 mm x 328 mm			
Pesha neto	2,3 kg	2,5 kg	2,4 kg	2,6 kg
Zona e presionit (Zona e lenteve)	0,0195 m <sup>2</sup>			

- Për shkak të vazhdimësisë së programit tonë të kërkimeve dhe zhvillimit, specifikimet e përfshira këtu janë subjekt për ndryshim pa njoftim paraprak.
- Specifikimet dhe bateria mund të ndryshojnë nga shteti në shtet.
- Pesha, me baterinë, sipas procedurës EPTA 01/2003
- \* Kjo vlerë është vetëm për qëllime këshillimi. Ajo mund të ndryshojë në varësi të kushteve dhe mjedisit të baterisë.

**Simbolet**

Më poshtë jepen simbolet e përdorura për pajisjen. Sigurohuni që t'i kuptoni para përdorimit.



- Lexoni manualin e udhëzimit.



- Vetëm për përdorim në ambiente të brendshme



- Vetëm për shtetet e BE-së  
Mos flakni pajisjet elektrike ose baterinë bashkë me mbeturinat shtëpiake!  
Në pajtim me Direktivën Evropiane mbi Mbeturinat Elektrike dhe Elektronike dhe Bateritë e Akumulatorët dhe zbatimit të tyre në përputhje me ligjin kombëtar, pajisjet elektrike dhe bateritë që janë në fund të jetëgjatësisë së përdorimit duhet të mblihdhen veçmas dhe të dërgohen në një fabrikë riciklimi në pajtim me rregullat mjedisore.



- IZOLIM I DYFISHTË



- Rrezatim optik (rreze ultraviolett dhe infra të kuqe).  
Minimizoni ekspozimin ndaj syve ose lëkurës.



- Mos e shikoni ngultas llambën.



- Përdorni ekran mbrojtës ose syze mbrojtëse.



- Burimi i dritës që ndodhet në këtë ndriçues duhet të ndërrohet vetëm nga qendra e shërbimit të autorizuar.



- Bëni kujdes dhe kushtoni vëmendje të veçantë!

**UDHËZIME SIGURIE TË RËNDËSISHME**

**⚠ PARALAJMËRIM:** Kur përdoren ndriçues, duhet të zbatohen gjithmonë masat paraprake bazë për të pakësuar rrezikun e zjarrit, goditjes elektrike dhe lëndimeve, duke përfshirë sa vijon:

**LEXONI TË GJITHA UDHËZIMET.**

**⚠ KUJDES:**

1. Kur ndriçuesi nuk është në përdorim, gjithmonë fiken dhe hiqeni nga prizat / hiqeni baterinë nga ndriçuesi.
2. Mos e mbuloni apo bllokoni ndriçuesin e ndezur me rrobë apo karton, etj. Mbulimi ose bllokimi i saj mund të shkaktojë zjarr.
3. Mos e përdorni ndriçuesin në vende me lagështirë. Të mos ekspozohet ndriçuesi në kohë me reshje ose dëborë. Të mos lahet në ujë.
4. Të mos përdoret ndriçuesi në atmosferë shpërthyes, si në prani të lëngjeve, gazrave ose pluhurit të ndezshëm.
5. Fishat e ndriçuesit duhet të përputhen me prizën. Kurrë të mos modifikohet fisha në asnjë mënyrë. Të mos përdoren fishat e përshtatësimit me ndriçuesit elektrikë (të tokëzuar). Fishat e pamodifikuara dhe prizat përkatëse pakësojnë rrezikun e goditjes elektrike.



6. Shmangni kontaktin trupor me sipërfaqet që prekin tokën ose me tokëzim si tubacionet, radiatorët, sobat dhe frigoriferët. Ka rrezikshmëri më të lartë për goditje elektrike nëse trupi juaj është i tokëzuar.
7. Mos e keqpërdorni kordonin. Kurrë mos e përdorni kordonin për të mbajtur, tërhequr ose hequr ndriçuesit nga priza. Mbajeni kordonin larg nga nxehtësia, cepat e mprehtë apo pjesët e lëvizshme. Kordonët e dëmtuar ose të ngecur rrisin rrezikun e goditjes elektrike.
8. Nëse dëmtohet kabloja ose kordoni elastik i jashtëm i këtij ndriçuesi duhet të zëvendësohet ekskluzivisht nga qendra e shërbimit të autorizuar për të shmangur rreziqet.
9. Të mos shikohet drita LED ose burimi i dritës në mënyrë të drejtpërdrejtë.

Llamba është klasifikuar në grupin e rrezikut 1.

- a) Llamba ose sistemi i llambave është më i madh se Grupi i Përrjashtëm dhe rreziku ndaj shikuesit lidhet me mënyrën se si përdoruesit instalojnë dhe përdorin produktin;
- b) Rreziku më kufizues ndaj rrezatimit optik dhe rrezatimeve optike të tjera është më i madh se Grupi i Përrjashtëm.
- c) Montimi përkatës, instalimi, mirëmbajtja dhe përdorimi i sigurt, duke përfshirë shenjat paralajmëruese të qarta në lidhje me masat paraprake për të shmangur ekspozimin e mundshëm ndaj rrezatimit optik.
- d) Këshilla mbi procedurat e përdorimit të sigurt dhe paralajmërimet që lidhen me praktikat të parashikuara në mënyrë të arsyeshme, keqfunksionimet dhe modalitetet e rrezikshme të avarive.
- e) NJOFTIM: Nga ky produkt emetohen rreze ultravjollcë dhe infra të kuqe.
- f) PARALAJMËRIM: Nga ky produkt emetohen rreze infra të kuqe.
- g) KUJDES: Nga ky produkt emetohen rreze optike mundësisht të rrezikshme.
- h) Minimizoni ekspozimin ndaj syve ose lëkurës. Përdorni mbrojtjen përkatëse.
- i) Përdorni ekran mbrojtës ose syze mbrojtëse.
- j) Mos e shikoni ngultas llambën. Mund të jetë e rrezikshme për sytë.
- k) Nga ekspozimi mund të shkaktohet iritimi i syve ose i lëkurës. Shmangni ekspozimin ndaj syve.

### **Përdorimi dhe kujdesi i ndriçuesit me bateri**

1. Të karikohet vetëm me karikuesin e specifikuar nga prodhuesi. Një karikues i përshtatshëm për një lloj baterie mund të krijojë rrezik zjarr kur përdoret me një bateri tjetër.
2. Përdoreni ndriçuesin vetëm me bateritë e përcaktuara posaçërisht. Përdorimi i baterive të tjera mund të krijojë rrezik për lëndim dhe zjarr.
3. Kur bateria nuk është në përdorim, të mbahet larg nga objektet metalike të tjera, si kapëse letrash, monedha, çelësa, gozhdë, vidha ose objekte metalike të tjera të vogla që mund të bëjnë lidhjen nga një terminal tek tjetri. Qarku i shkurtër ndërmjet terminaleve të baterisë mund të shkaktojë djegie ose zjarr.

4. Nën kushte përdorimi të caktuara, mund të derdhet lëng nga bateria; shmangeni kontaktin. Nëse ndodh aksidentalisht kontakt, të shpëlahet me ujë. Nëse lëngu prek sytë, kërkoni ndihmë mjekësore. Lëngu i rrjedhur nga bateria mund të shkaktojë iritimi ose djegie.

### **UDHËZIME SIGURIE TË RËNDËSISHME PËR BATERINË**

1. Përpara se ta përdorim baterinë, lexoni të gjitha udhëzimet dhe shënimet e masave paraprake të (1) karikuesit të baterisë, (2) bateria dhe (3) produkti që përdor baterinë.
2. Mos e çmontoni baterinë.
3. Nëse koha e përdorimit është shkurtuar së tepërmi, ndalojeni menjëherë përdorimin. Mund të shkaktojë mbinxehje, djegie të mundshme dhe madje shpërthim.
4. Nëse ju hyjnë elektrolitet në sy, shpëlajini me ujë të pastër dhe kërkoni menjëherë kujdes mjekësor. Mund të shkaktojë humbjen e shikimit.
5. Mos bëni qark të shkurtër me baterinë:
  - (1) Mos i prekni terminalat me materiale përcjellëse.
  - (2) Shmangni ruajtjen e baterisë në kuti me objekte të tjera metalike, si gozhdë, monedha, etj.
  - (3) Mos e ekspozoni baterinë në ujë ose shi.
6. Të mos ruhet ndriçuesi dhe bateria në vende ku temperatura mund të arrijë ose tejkalojë 50°C.
7. Mos e digjini baterinë edhe nëse është shumë e dëmtuar ose është konsumuar plotësisht. Bateria mund të shpërthejë në zjarr.
8. Kini kujdes të mos rrezoni ose godisni baterinë.
9. Mos përdorni bateri të dëmtuar.
10. Ndiqui rregulloret vendore në lidhje me flakjen e baterisë.

### **Këshilla për ruajtjen e jetëgjatësisë së baterisë**

1. Të karikohet bateria para se të shkarkohet plotësisht. Gjithmonë ndaloni përdorimin e ndriçuesit dhe karikojeni baterinë kur vini re pak kapacitet të mbetur të ndriçuesit.
2. Kurrë mos karikoni një bateri plotësisht të shkarkuar. Karikimi i tepër shkurtër jetëgjatësinë e baterisë.
3. Karikojeni baterinë në temperaturën e dhomës prej 10°C – 40°C. Lëreni baterinë e nxehtë të ftohet përpara se ta karikoni atë.
4. Karikojeni baterinë një herë çdo gjashtë muaj nëse nuk e përdorni për një kohë të gjatë.

### **Ruajini të gjitha paralajmërimet dhe udhëzimet për referencë në të ardhmen.**

### **MONTIMI**

#### **▲ KUJDES:**

- Gjithmonë sigurohuni që ndriçuesi të jetë fikur, të jetë hequr nga priza dhe të jetë hequr bateria para kryerjes së punimeve në brendinë e ndriçuesit.

### **Montimi i kornizës dhe bazamentit (Fig. 1)**

Montoni projektorin ndriçues siç vijon:

1. Zhvidhosni vidhat.
2. Futni këmbën e kornizës në bazament.
3. Drejtoni vrimat e kornizës dhe bazamentit.
4. Shtrengojini fort me vidha.

## PËRSHKRIMI FUNKSIONAL

### ⚠️ KUJDES:

- Gjithmonë sigurohuni që ndriçuesi të jetë fikur, hequr nga priza dhe të jetë hequr bateria para rregullimit ose kontrollimit të ndriçuesit.

### Përdorimi i baterisë:

#### Instalimi ose heqja e baterisë

### ⚠️ KUJDES:

- Gjithmonë fiken ndriçuesit dhe hiqeni nga priza para se të instaloni ose hiqni baterinë.
- **Mbajeni ndriçuesit dhe baterinë fort kur instaloni ose hiqni baterinë.** Mosmbajtja e ndriçuesit dhe baterisë fort mund të shkaktojë rrëshqitjen e tyre nga duart dhe të rezultojë në dëmtimin e ndriçuesit dhe baterisë si dhe lëndime personale.

Për të instaluar baterinë, lëshojeni bllokuesin e kapakut dhe hapni kapakun e baterisë. Dhe futeni baterinë. Drejtojeni gjuhëzën e baterisë me kanalën e strukturës dhe rrëshkiteni në vend. Futeni deri në fund derisa të kërçasë në fole me një kërcitje të lehtë. Më pas mbylleni kapakun e baterisë. (Fig. 2)

Për të hequr baterinë, rrëshkiteni nga ndriçuesi ndërsa rrëshkisni butonin në pjesën e përparme të baterisë.

### ⚠️ KUJDES:

- Gjithmonë instalojeni baterinë plotësisht në vendin e vet. Nëse jo, mund të bjerë padashje jashtë nga ndriçuesi duke shkaktuar plagosjen tuaj apo të dikujt afër jush.
- Mos e instaloni baterinë me forcë. Nëse bateria nuk rrëshqet lehtësisht, nuk është futur si duhet.

### Përdorimi me rrymën elektrike:

Lidheni fishën me një prizë elektrike. (Fig. 3)

#### Ndezja e ndriçimit LED (Fig. 4)

Shtypni çelësin një herë, drita ndriçon fort (modalitet i lartë). Shtypni çelësin sërish, drita ndriçon mesatarisht (modalitet i ulët). Për ta fikur dritën, shtypeni edhe njëherë çelësin.

#### Sistemi i mbrojtjes së baterisë (Fig. 5)

Ndriçuesi është e pajisur me një sistem për mbrojtjen e baterisë për të zgjatur jetëgjatësinë e baterisë.

Kur bateria bie, dritat LED fiken përveç një drite LED (drita në qendrën e vijës së dytë). Më pas, pas përafërsisht pesë deri dhjetë minuta më vonë, sistemi ndërpret automatikisht rrymën.

## PËRDORIMI

### ⚠️ KUJDES:

- Projektori synohet të përdoret për punë në terren. Mos e përdorni projektoren ndriçues për punë shtëpiake.
- Gjithmonë vendoseni ndriçuesin në një sipërfaqe të sheshtë dhe të qëndrueshme. Në të kundërt mund të ndodhë një aksident rrezimi.

#### Rregullimi i këndit të projektorit (Fig. 6)

Lironi rrotëzat në të dyja anët. Rregullimi i këndit të projektorit. Më pas shtërngoni përsëri rrotëzat.

### Përdorimi i një trekëmbëshi ose morse (pjesë shtesë opsionale) (Fig. 7)

### ⚠️ KUJDES:

- Lexoni me kujdes manualët e udhëzimit të pajisjeve shtesë para se t'i përdorni me projektoren e ndriçimit.
- Kur përdorni trekëmbëshin ose morskën, mos lejoni që lartësia të tejkalojë 1,75 m.

Mund ta vendosni projektoren mbi trekëmbësh ose morskë për të lehtësuar përdorimin.

## MIRËMBAJTJA

### ⚠️ KUJDES:

- Gjithmonë sigurohuni që ndriçuesi të jetë fikur, të jetë hequr nga priza dhe bateria të jetë hequr para se të përpigjeni të kryeni inspektimin ose mirëmbajtjen.
- Kurrë mos përdorni vajgurë, benzinë, hollues, alkool ose lëndë të ngjashme. Mund të krijojnë çngjyrimë, deformime ose plasaritje.

Nga përdoruesi duhet të kryhen vetëm punimet për mirëmbajtje të përshkruara në këtë manual përdorimi. Të gjitha punimet e tjera duhet të kryhen nga qendrat e autorizuara të shërbimit të Makita-s.

### Pastrimi

Herë pas here fshini pjesën e jashtme të ndriçuesit (trupin e ndriçuesit) duke përdorur një rrobë të njomur me ujë me sapun.

Për të ruajtur SIGURINË dhe BESUESHMËRINË e produktit, riparimet dhe mirëmbajtja ose rregullimet e tjera duhet të kryhen vetëm nga Qendrat e Autorizuara të Shërbimit Makita dhe gjithmonë duke përdorur pjesë këmbimi të markës Makita.

## PJESË SHITESË OPSIONALE

### ⚠️ KUJDES:

- Këto pjesë ose pajisje shtesë rekomandohen të përdoren me ndriçuesin tuaj Makita të specifikuar në këtë manual. Përdorimi i pjesëve ose pajisjeve shtesë të tjera mund të paraqesin rrezik lëndimi për persona të tjerë. Pjesët ose pajisjet përdorini vetëm për qëllimin e tyre të përcaktuar.

Nëse ju nevojitet ndihmë ose më shumë detaje për këto pjesë, kërkoni ndihmë nga qendra e shërbimit të Makita-s.

- Bateria dhe karikuesi original nga Makita
- Trekëmbëshi
- Morsa
- Film kundër shkëlqimit

### SHËNIM:

- Disa artikuj në listë mund të përfshihen në ndriçuesin e mjetit si pjesë shtesë standarde. Ato mund të ndryshojnë nga njëri shtet në tjetrin.

1 Рамка	5 Капак на акумулаторната батерия	7 Щепсел (в различните страни те може да са различни)
2 Основа	6 Касета с акумулатори	8 Ключ
3 Винт		9 Копче
4 Ключалка на капака		

**СПЕЦИФИКАЦИИ**

Модел	DML805			
Светодиоди	20 x 0,6 W			
Време на работа* (с акумулаторна батерия BL1830)	(Прибл.) Режим на силно светене: 5 часа / режим на по-слабо светене: 10 часа			
Източник на захранване	220-240 V 50-60 Hz променлив ток или 14,4 V / 18 V постоянен ток			
Стандартна касета с акумулатори	BL1415 / BL1415N	BL1430 / BL1440 / BL1450	BL1815 / BL1815N / BL1820	BL1830 / BL1840 / BL1850
Напрежение (при работа от акумулаторната батерия)	14,4 V		18 V	
Размери (Д x Ш x В)	214 mm x 261 mm x 328 mm			
Нетно тегло	2,3 кг	2,5 кг	2,4 кг	2,6 кг
Площ, подложена на въздействие (зона на лещата)	0,0195 m <sup>2</sup>			

- Тъй като нашата програма за развойна дейност и разработване продължава, спецификациите на този продукт, дадени тук, могат се променят без предизвестие.
  - Спецификациите и касетата с акумулаторите могат да варират в различните държави.
  - Тегло, с касета с акумулатори, съгласно ЕРТА-Процедура 01/2003
- \* Тази стойност е само ориентировъчна. Може да се променя според състоянието и околната среда на акумулаторната батерия.

**Символи**

Показани са символите, използвани за оборудването. Преди използване се убедете, че разбирате значенията им.



- Прочетете упътването за работа.



- Само за работа на закрито



- Само за страни от ЕС

Не изхвърляйте електрическо оборудване или акумулаторни комплекти заедно с битови отпадъци! В съответствие с Европейските директиви за отпадъци от електронно и електрическо оборудване, и от батерии и акумулатори, и тяхното прилагане в съответствие с националното законодателство, електрическото оборудване и акумулаторите след края на експлоатационния им живот трябва да бъдат събирани разделно и връщани в природосъобразни места за рециклиране.



- ДВОЙНА ИЗОЛАЦИЯ



- Светлинно излъчване (ултравиолетови и инфрачервени лъчи).  
Пазете очите и кожата от прекалено излагане.



- Не гледайте във включена лампа.



- Използвайте подходящо екраниране или защита за очите.



- Светодиодните светещи елементи на този осветителен уред трябва да се сменят само в упълномощен сервис.



- Бъдете особено внимателни и предпазливи!

**ВАЖНО ИНСТРУКЦИИ ЗА БЕЗОПАСНОСТ**

**⚠ ПРЕДУПРЕЖДЕНИЕ:** При работа с осветителни уреди трябва винаги да се спазват основните предпазни мерки, за да се намали рискът от пожар, токов удар и наранявания, включително следното:

**ПРОЧЕТЕТЕ ВСИЧКИ ИНСТРУКЦИИ.****⚠ ВНИМАНИЕ:**

1. Когато осветителният уред не се използва, винаги го изключвайте и откачайте от контакта / изваждайте акумулаторната батерия от него.
2. Не покривайте или закривайте осветителния уред с кърпи, кашони и др. Покриването или закриването ѝ може да предизвика запалване.
3. Не използвайте осветителния уред в мокра или влажна среда. Не излагайте осветителния уред на дъжд или сняг. Не го мийте във вода.
4. Не използвайте осветителния уред във взривоопасна среда, например при наличие на леснозапалими течности, газове или прах.

5. Щепселите на осветителните уреди трябва да съответстват на типа на електрическите контакти. Не правете никакви промени на щепсела. Със занулени (заземени) осветителни уреди не използвайте адаптери за щепселите. Когато не са били променени щепселите и съответстващите им контакти, рисковете от токов удар намаляват.
6. Избягвайте допир с тялото до занулени или заземени повърхности като тръби, радиатори, печки и хладилници. Има повишен риск от токов удар, когато тялото ви е занулено или заземено.
7. Пазете захранващия кабел. Никога не използвайте кабела за носене, дърпане или изключване от контакта на осветителния уред. Дръжте кабела далече от топлина, масла, остри ръбове или движещи се части. Повредени или оплетени кабели повишават риска от токов удар.
8. Ако външен гъвкав кабел или шнур на този осветителен уред бъдат повредени, те трябва да бъдат заменени само от упълномощен сервиз, за да се избегнат опасности.
9. Не гледайте директно в светлината, излъчвана от светодиоди, или от източник на светлина.

Лампата е класифицирана в рискова Група 1

- a) Лампата или ламповата система е извън групата устройства с явен риск и рисковете за присъстващите зависят от това, как потребителите инсталират и използват изделието;
- b) Най-рестриктивната опасност от облъчване и други оптични опасности са извън групата с явен риск.
- c) Правилният монтаж, сглобяване, поддръжка и безопасна употреба, вкл. ясни предупреждения във връзка с предпазните мерки, спомагат за избягване на възможно излагане на опасно светлинно излъчване.
- d) Съвети за безопасни работни процедури и предупреждения относно възможни предвидими грешки при работа, неизправности и опасни режими на повреда.
- e) БЕЛЕЖКА: Това изделие излъчва ултравиолетови и инфрачервени лъчи.
- f) ПРЕДУПРЕЖДЕНИЕ: Това изделие излъчва инфрачервени лъчи.
- g) ВНИМАНИЕ: Това изделие може да излъчва опасни светлинни лъчи.
- h) Пазете очите и кожата от прекалено излагане. Използвайте подходящо екраниране.
- i) Използвайте подходящо екраниране или защита за очите.
- j) Не гледайте във включена лампа. Това може да е вредно за очите ви.
- k) От излагане на такова действие е възможно възпаление на очите или кожата. Избягвайте да излагате очите си на такова въздействие.

## Използване и грижи за осветителния уред

1. Зареждайте само със зарядното устройство, което е определено от производителя. Зарядно устройство, което е подходящо за даден тип касета с акумулатори, може да предствлява риск от пожар, ако се използва с друга касета с акумулатори.
2. Използвайте осветителните уреди само със специално предназначени за тях акумулаторни батерии. Използване на каквито и да било други касети с акумулатори може да създаде риск от нараняване и пожар.
3. Когато касетата с акумулатори не се използва, дръжте я далече от други метални предмети като кламери, монети, ключове, пирони, винтове или други дребни метални предмети, които могат да предизвикат късо съединение между изводите. При закъсяване на изводите на акумулаторната батерия са възможни изгаряния или пожар.
4. При тежки условия на работа е възможно изхвърляне на течност от акумулаторната батерия; избягвайте допир с нея. При случайно докосване изплакнете с вода. Ако течността попадне в очите ви, допълнително потърсете медицинска помощ. Течността, изхвърлена от акумулаторната батерия, може да предизвика възпаление или изгаряния.

## ВАЖНО ИНСТРУКЦИИ ЗА БЕЗОПАСНОСТ ЗА КАСЕТАТА С АКУМУЛАТОРИ

1. Преди използване на касетата с акумулатори прочетете всички инструкции и допълнителните обозначения върху (1) зарядното устройство за акумулаторната батерия, (2) акумулаторната батерия и (3) изделието, което използва акумулаторната батерия.
2. Не разглобявайте касетата с акумулатори.
3. Ако времето за работа намалее значително, спрете веднага работа. Това може да доведе до прегряване, възможни изгаряния и дори до експлозия.
4. Ако в очите ви попадне електролит, изплакнете ги с чиста вода и веднага потърсете медицинска помощ. Това може да доведе до загуба на зрение.
5. Не закъсявайте касетата с акумулатори:
  - (1) Не докосвайте изводите с токопроводящи материали.
  - (2) Избягвайте да съхранявате касетата с акумулатори в съд с метални предмети като пирони, монети и пр.
  - (3) Не излагайте касетата с акумулатори на действието на вода или дъжд.
 Късо съединение на акумулаторната батерия може да предизвика протичане на силен ток, прегряване, възможни изгаряния и дори повреда.
6. Не съхранявайте осветителния уред и акумулаторната батерия на места, където температурата може да достигне или превиши 50°C.
7. Не изгаряйте касетата с акумулатори, дори и когато е сериозно повредена или износена. В огън касетата с акумулатори може да експлодира.
8. Внимавайте да не изпускате или удряте акумулаторната батерия.
9. Не използвайте повредена акумулаторна батерия.
10. Спазвайте местните разпоредби при изхвърляне на акумулаторната батерия.

## Съвети за поддържане на максимален експлоатационен живот на акумулаторната батерия

1. Зареждайте касетата с акумулатори, преди да се е разредила изцяло. Спрете работата с осветителния уред и заредете акумулаторната батерия, ако забележите намаляване на мощността му.
2. Не презареждайте напълно заредена касета с акумулатори. Презареждането съкращава експлоатационния живот на акумулаторната батерия.
3. Зареждайте касетата с акумулатори при стайна температура 10°C – 40°C. Оставете гореща касетата с акумулатори да се охлади, преди да я зареждате.
4. Зареждайте касетата с акумулатори един път на всеки шест месеца, ако няма да я използвате дълго време.

## Пазете всички предупреждения и инструкции за бъдещи справки.

### МОНТАЖ

#### ВНИМАНИЕ:

- Уверете се, че осветителният уред е изключен и откачен от контакта, и акумулаторната батерия е извадена, преди да работите по осветителния уред.

#### Сглобяване на рамката и основата (Фиг. 1)

Сглобете работната лампа както следва:

1. Свалете винтовете.
2. Поставете крачетата на рамката в основата.
3. Изрвнете отворите на рамката и основата.
4. Притегнете ги с винтовете.

### ФУНКЦИОНАЛНИ ХАРАКТЕРИСТИКИ

#### ВНИМАНИЕ:

- Уверете се, че осветителният уред е изключен и откачен от контакта, и акумулаторната батерия е извадена, преди да извършите настройки или да проверите неговата функционалност.

#### Работа със захранване от акумулаторната батерия:

#### Монтиране или изваждане на касетата с акумулатори

#### ВНИМАНИЕ:

- Изключете осветителния уред и го откачете от контакта, преди да поставите или извадите акумулаторна батерия.
- **Дръжте осветителния уред и акумулаторната батерия здраво, докато поставите или изваждате акумулаторна батерия.** Ако не дръжите осветителния уред и акумулаторната батерия здраво, може да ги изпуснете, което да доведе до повреда на осветителния уред и акумулаторната батерия или до нараняване.

За поставяне на касетата с акумулатори, освободете ключалката на капака и отворете капака на акумулаторната батерия. Поставете касетата с акумулатори. Изрвнете езичето върху касетата с акумулатори с канала в корпуса и я плъзнете на мястото ѝ. Вкарайте я докрай, докато се зафиксира в мястото си с леко изщракване. След това затворете капака на акумулаторната батерия. (Фиг. 2)

За да извадите акумулаторната батерия, плъзнете я навън от осветителния уред, като плъзгате бутона в предната ѝ част.

#### ВНИМАНИЕ:

- Винаги вкарвайте касетата с акумулатори докрай в мястото ѝ. В противен случай тя може неочаквано да изпадне от осветителния уред и да нарани Вас или друг, стоящ на близо.
- Не прилагайте прекомерна сила при вкарването на касетата с акумулатори. Ако касетата не се плъзва лесно, това означава, че не е вкарана правилно.

#### Работа със захранване от променливотоковата електрическа мрежа:

Свържете щепсела към захранването. (Фиг. 3)

#### Включване на светодиодната светлина

#### (Фиг. 4)

Натиснете еднократно ключа и светлината ще светне ярко (режим на силно светене). Натиснете отново ключа и светлината ще светне по-мекко (режим на по-слабо светене). За изключване на светлината натиснете ключа още веднъж.

#### Система за защита на акумулаторната батерия (Фиг. 5)

Осветителният уред е оборудван със система за защита на акумулаторната батерия, която удължава живота ѝ.

Когато батерията се изтощи, светодиодите престават да светят, с изключение на само един (централно във втория ред). След това, след около пет до десет минути, системата автоматично изключва захранването.

### ЕКСПЛОАТАЦИЯ

#### ВНИМАНИЕ:

- Лампата е предназначена за работа на обекти. Не използвайте лампата за домашни цели.
- Винаги поставяйте осветителния уред върху равна и стабилна повърхност. В противен случай са възможни нещастни случаи.

#### Настройка на ъгъла на лампата (Фиг. 6)

Разхлабете копчетата от двете страни. Настройте ъгъла на лампата. Притегнете копчетата отново.

#### Използване с триножник или стиски (аксесоари, които се предлагат като опция) (Фиг. 7)

#### ВНИМАНИЕ:

- Прочетете внимателно упътванията за работа на аксесоарите, преди да ги използвате с лампата.
- При използване с триножник или стиски, общата височина не трябва да надвишава 1,75 метра.

Можете да поставите лампата върху триножник или стиски, за да улеснявате работата.

## ПОДДРЪЖКА

### **ВНИМАНИЕ:**

- Уверете се, че осветителният уред е изключен и откачен от контакта, и акумулаторната батерия е извадена, преди да опитате да извършите проверка или действия по поддръжката.
- Никога не използвайте нафта, бензин, разтворител, алкохол или др. подобни препарати. Това може да доведе до обезцветяване, деформация или напукване.

Само поддръжката, която е описана в тези инструкции за употреба, може да се извършва от потребителите. Всякакви други дейности трябва да се извършват от упълномощени сервизи на Makita.

### **Почистване**

Периодично избърсвайте отвън (тялото на) осветителния уред с кърпа, навлажнена със сапунена вода.

За да поддържате БЕЗОПАСНОСТТА и НАДЕЖДНОСТТА на продукта, ремонтите и всякакви дейности за поддръжка или настройки трябва да се извършват от упълномощени сервизи на Makita, винаги с използване на резервни части от Makita.

## АКСЕСОАРИ, КОИТО СЕ ПРЕДЛАГАТ КАТО ОПЦИИ

### **ВНИМАНИЕ:**

- Тези аксесоари и принадлежности се препоръчват за използване с Вашия осветителен уред Makita, описан в настоящото ръководство. Използване на каквито и да било други аксесоари или принадлежности може да представлява риск от нараняване. Използвайте аксесоари или принадлежности само за посоченото им предназначение.

Ако се нуждаете от помощ и допълнителни подробности за такива аксесоари, обърнете се към местния сервиз на Makita.

- Оригинална акумулаторна батерия и зарядно устройство от Makita
- Триножник
- Стиски
- Филм против отблясъци

### **ЗАБЕЛЕЖКА:**

- Някои артикули от този списък може да са окомплектовани като стандартни аксесоари в опаковката заедно с осветителния уред. В различните страни те може да са различни.

**Objašnjenje općeg prikaza**

1 Okvir	5 Poklopac baterije	8 Prekidač
2 Podnožje	6 Baterija	9 Gumb
3 Vijak	7 Utikač (oblik se može razlikovati od države do države)	
4 Brava poklopca		

**SPECIFIKACIJE**

Model	DML805			
LED	20 x 0,6 W			
Vrijeme rada* (s baterijom BL1830)	(Približno) Jako: 5 sati / Slabo: 10 sati			
Izvor napajanja	220-240 V 50-60 Hz AC ili 14,4 V / 18 V DC			
Standardna baterija	BL1415 / BL1415N	BL1430 / BL1440 / BL1450	BL1815 / BL1815N / BL1820	BL1830 / BL1840 / BL1850
Napon (uz rukovanje s baterijom)	14,4 V		18 V	
Dimenzije (D x Š x V)	214 mm x 261 mm x 328 mm			
Neto težina	2,3 kg	2,5 kg	2,4 kg	2,6 kg
Područje pod pritiskom (područje leće)	0,0195 m <sup>2</sup>			

- Zahvaljujući stalnom programu istraživanja i razvoja, ovi tehnički podaci podložni su izmjenama bez prethodne najave.
- Specifikacije i baterija mogu se razlikovati od države do države.
- Težina, s baterijom, u skladu s EPTA-procedurom 01/2003
- \* Vrijednost je samo okvirna. Može se razlikovati ovisno u stanju i okruženju baterije.

**Simboli**

Simboli u nastavku naznačuju simbole koji se koriste za opremu. Prije korištenja vodite računa da ste razumjeli njihovo značenje.



- Pročitajte upute za korištenje.



- Samo za upotrebu u zatvorenom prostoru



- Samo za države članice EU-a  
Električnu opremu ili baterije nemojte odlagati zajedno s kućanskim otpadom! Poštujući europske Direktive o električnom i elektroničkom otpadu te o baterijama i akumulatorima te otpadnim baterijama i akumulatorima i njihovu provedbu u skladu s nacionalnim zakonima, električna oprema i baterije kojima je istekao vijek trajanja moraju se prikupiti zasebno i vratiti u ekološko reciklažno dvorište.



- DVOSTRUKA IZOLACIJA



- Optičko zračenje (UV i IC).  
Maksimalno smanjite izlaganje očiju i kože.



- Nemojte gledati u lampu koja radi.



- Koristite odgovarajući štitnik ili zaštitu za oči.



- Izvor svjetlosti koji se nalazi u ovoj svjetiljci mijenjati treba samo ovlašteni servisni centar.



- Budite iznimno pažljivi i pozorni!

**VAŽNE SIGURNOSNE UPUTE**

**⚠ UPOZORENJE:** Kod korištenja svjetiljki uvijek se treba pridržavati osnovnih mjera predostrožnosti kako bi se smanjila opasnost od požara, električnog udara i osobnih ozljeda, uključujući i sljedeće:

**PROČITAJTE SVE UPUTE.**

**⚠ OPREZ:**

1. Kad se svjetiljka ne koristi, uvijek je ugasisite, te isključite iz struje / izvadite iz nje bateriju.
2. Nemojte upaljeno svjetiljku pokriti ili začepiti krpom ili kartonom itd. Pokrivanje ili začepljivanje može prouzročiti požar.
3. Svjetiljku nemojte koristiti na vlažnim ili mokrim mjestima. Nemojte je izlagati kiši ili snijegu. Nemojte ga prati u vodi.
4. Svjetiljku nemojte koristiti u eksplozivnim okruženjima, primjerice ondje gdje ima zapaljivih tekućina, plinova ili prašine.
5. Utikači svjetiljki moraju odgovarati utičnicima. Nikada na utikaču nemojte vršiti bilo kakve preinake. Nemojte koristiti utikače adaptera s uzemljenim svjetiljkama. Utikači na kojima nisu vršene preinake i odgovarajuće utičnice smanjit će opasnost od električnog udara.

6. Izbjegavajte tijelom dodirivati uzemljene površine kao što su cijevi, radijatori, štednjaci i hladnjaci. Postoji povećana opasnost od električnog udara ako vam je tijelo uzemljeno.
7. Nemojte zlorabiti kabel. Kabel nikada ne koristite za nošenje, povlačenje ili isključivanje svjetiljke. Kabel držite podalje od topline, ulja, oštih rubova ili pokretnih dijelova. Oštećeni ili zapetljani kabeli povećavaju opasnost od električnog udara.
8. Ako se vanjski fleksibilni kabel ili žica ove svjetiljke ošteti, zamjenjuje ih isključivo ovlašteni servisni centar kako bi se izbjegla opasnost.
9. Nemojte gledati izravno u LED lampu ili izvor svjetlosti.

Lampa pripada rizičnoj Grupi 1.

- a) Lampa ili sustav lampe premašuje Grupi bez opasnosti, a opasnost povezana s gledanjem ovisi o tome kako korisnici montiraju i koriste proizvod;
- b) Najrestriktivnija opasnost od optičkog zračenja i ostale opasnosti od optičkog zračenja premašuju Grupi bez opasnosti.
- c) Pravilno sastavljanje, montaža, održavanje i sigurno korištenje, uključujući jasna upozorenja u vezi mjera predostrožnosti kako bi se izbjegla moguća izloženost opasnom optičkom zračenju.
- d) Savjet o postupcima sigurnog rukovanja i upozorenjima vezanim uz opravdano predvidive zloupotrebe, kvarove i opasne neispravne načine rada.
- e) POZOR: Ovaj proizvod emitira UV i IC zrake.
- f) UPOZORENJE: Ovaj proizvod emitira IC zrake.
- g) OPREZ: Ovaj proizvod potencijalno emitira opasno optičko zračenje.
- h) Maksimalno smanjite izlaganje očiju i kože. Koristite odgovarajući štitnik.
- i) Koristite odgovarajući štitnik ili zaštitu za oči.
- j) Nemojte gledati u lampu koja radi. To može biti štetno za oči.
- k) Izloženost može rezultirati nadraženošću očiju ili kože. Izbjegavajte izloženost očiju.

### Korištenje i njega baterije svjetiljke

1. Punite samo s punjačem koji navodi proizvođač. Punjač koji je prikladan za jednu vrstu baterije može predstavljati opasnost od požara kad se koristi s drugom baterijom.
2. Svjetiljke koristite samo s posebno označenim baterijama. Korištenje bilo kojih drugih baterija može stvoriti opasnost od ozljede ili požara.
3. Kad se baterija ne koristi, držite je podalje od drugih metalnih predmeta kao što su spajalice za papir, novčići, ključevi, čavli, vijci ili ostalih malih metalnih predmeta koji mogu povezati jednu stezaljku baterije s drugom. Izazivanje kratkog spoja između stezaljki baterije može prouzročiti opekline ili požar.
4. U uvjetima lošeg korištenja iz baterije može izići tekućina, pa izbjegavajte dodir. Ako slučajno dođe do dodira, isperite vodom. Ako tekućina dođe u dodir s očima, dodatno zatražite liječničku pomoć. Tekućina izbačena iz baterije može prouzročiti nadražnost ili opekline.

### VAŽNE SIGURNOSNE UPUTE ZA BATERIJU

1. Prije korištenja baterije pročitajte sve upute i oznake opreza na (1) punjaču baterije, (2) bateriji i (3) proizvodu koji koristi bateriju.
2. Nemojte rastavljati bateriju.
3. Ako se vrijeme rada izrazito skratilo, odmah prekinite s radom. Može doći do opasnosti od pregrijavanja, potencijalnih opekline ili čak i eksplozije.
4. Ako vam elektroliti uđu u oči isperite ih čistom vodom i odmah potražite liječničku pomoć. Može doći do gubitka vida.
5. Nemojte prouzročiti kratki spoj baterije.
  - (1) Baterijske stezaljke nemojte dirati s ikakvim provodljivim materijalom.
  - (2) Izbjegavajte bateriju spremiti u spremnik s ostalim metalnim predmetima kao što su čavli, novčići itd.
  - (3) Nemojte bateriju izlagati vodi ili kiši. Kratki spoj baterije može prouzročiti veliki protok struje, pregrijavanje, moguće opekline, a čak i kvar.
6. Svjetiljku i bateriju nemojte pohranjivati na mjestima na kojima temperatura može doseći ili premašiti 50°C.
7. Bateriju nemojte spaljivati čak i ako je jako oštećena ili sasvim prazna. Baterija može eksplodirati u vatri.
8. Pazite da ne ispuštite ili udarite bateriju.
9. Nemojte koristiti oštećenu bateriju.
10. Poštujte lokalne propise vezane uz odlaganje baterije.

### Savjeti za održavanje maksimalnog vijeka trajanja baterije

1. Napunite bateriju prije nego se sasvim isprazni. Uvijek zaustavite rukovanje svjetiljkom i napunite bateriju kad primijetite slabiju snagu svjetiljke.
2. Nikada nemojte puniti sasvim napunjenu bateriju. Prepunjanje skraćuje vijek trajanja baterije.
3. Puniti bateriju pri sobnoj temperaturi od 10°C – 40°C. Neka se vruća baterija ohladi prije punjenja.
4. Puniti bateriju jednom u šest mjeseci ako je ne koristite dulje vrijeme.

### Sačuvajte sva upozorenja i upute za buduće potrebe.

### SASTAVLJANJE

#### OPREZ:

- Uvijek vodite računa da je svjetiljka ugašena, isključena iz napajanja te da je baterija izvađena prije nego na njoj budete vršili bilo kakve radove.

### Sastavljanje okvira i podnožja (Slika 1)

Radnu svjetiljku sastavite kako slijedi:

1. Uklonite vijke.
2. Umetnite noge okvira u podnožje.
3. Poravnajte otvore okvira i podnožja.
4. Pritegnite ih vijcima.

### FUNKCIONALNI OPIS

#### OPREZ:

- Uvijek vodite računa da je svjetiljka ugašena, isključena iz napajanja te da je baterija izvađena prije podešavanja ili provjere funkcije na njoj.



## Upotreba s baterijom:

### Stavljanje ili uklanjanje baterije

#### OPREZ:

- Uvijek ugasite svjetiljku i isključite je iz napajanja prije stavljanja ili uklanjanja baterije.
- **Čvrsto držite svjetiljku i bateriju kod postavljanja ili uklanjanja baterije.** Ako svjetiljku i bateriju ne budete čvrsto držali mogu vam ispasti iz ruke te se svjetiljka i baterija mogu oštetiti a može doći i do osobne ozljede.

Za postavljanje baterije, otpustite bravu poklopca i otvorite poklopac baterije. I umetnite bateriju. Poravnajte jezičac na bateriji s utorom u kućištu i ugurajte je na mjesto. Umetnite je do kraja dok ne sjedne na mjesto s malim šklocajem. Zatim zatvorite poklopac baterije. **(Slika 2)**

Za uklanjanje baterije pogurajte je iz svjetiljke dok gurate gumb na prednjoj strani baterije.

#### OPREZ:

- Uvijek bateriju postavite tako da je sasvim sjela na mjesto. Ako to ne učinite, može slučajno ispasti iz svjetiljke te ozlijediti vas ili nekoga u vašoj blizini.
- Bateriju nemojte stavljati na silu. Ako baterija ne ulazi nesmetano, ne umeće se pravilno.

## Upotreba s izmjeničnim napajanjem:

Spojite utikač na izvor napajanja. **(Slika 3)**

### Uključivanje LED lampe (Slika 4)

Jednom pritisnite prekidač; lampa jako svijetli (način rada jako). Opet pritisnite prekidač; lampa svijetli manjom jakosti (način rada slabo). Za isključivanje lampe opet pritisnite prekidač.

### Sustav zaštite baterije (Slika 5)

Svjetiljka je opremljena sustavom za zaštitu baterije kojim se produljuje vijek trajanja baterije. Kad baterija postane slaba, LED lampice se gase osim jedne LED lampice (one na drugom redu na sredini). Zatim, nakon približno pet do deset minuta, sustav automatski prekida napajanje.

## RUKOVANJE

#### OPREZ:

- Ova radna svjetiljka namijenjena je za rad na terenu. Nemojte je koristiti za potrebe u kućanstvu.
- Svjetiljku uvijek stavite na ravnu i stabilnu površinu. Inače može doći do nezgode uslijed pada.

### Podešavanje kuta radne svjetiljke (Slika 6)

Olabavite gumbe na obje strane. Podesite kut radne svjetiljke. Zatim ponovo zategnite gumbe.

### Upotreba postolja ili škripa (dodatni pribor) (Slika 7)

#### OPREZ:

- Pažljivo pročitajte upute za korištenje dodatnog pribora prije nego ih budete koristili s radnom svjetiljkom.
- Prilikom korištenja postolja ili škripa pazite da ukupna visina ne premaši 1,75 m.

Radnu svjetiljku možete staviti na postolje ili škrip kako biste olakšali rukovanje.

## ODRŽAVANJE

#### OPREZ:

- Uvijek vodite računa da je svjetiljka ugašena, isključena iz napajanja te da je baterija izvađena prije nego pokušate izvršiti pregled ili održavanje.
- Nikad ne upotrebljujte gorivo, benzin, razrjeđivač, alkohol i sl. Može doći do gubitka boje, deformacija ili puknuća.

Korisnik može izvoditi samo održavanje opisano u ovim uputama za korištenje. Sve druge radove moraju izvoditi ovlašteni servisni centri tvrtke Makita.

### Čišćenje

S vremena na vrijeme krpom navlaženom u sapunici obrišite vanjski dio (tijelo svjetiljke) svjetiljke.

Kako biste održali SIGURNOST i POUZDANOST proizvoda, popravke, svako drugo održavanje ili podešavanje trebali bi izvoditi ovlašteni servisni centri tvrtke Makita uvijek koristeći zamjenske dijelove tvrtke Makita.

## DODATNI PRIBOR

#### OPREZ:

- Ovaj dodatni pribor ili priključci preporučuju se za korištenje zajedno s vašom svjetiljkom tvrtke Makita navedenom u ovim uputama. Korištenje bilo kojeg drugog dodatnog pribora ili priključaka moglo bi predstavljati opasnost od ozljede za osobe. Dodatni pribor ili priključak koristite samo za navedenu namjenu.

Ako vam treba pomoć za više detalja oko ovog dodatnog pribora, upitajte svoj lokalni servisni centar tvrtke Makita.

- Originalna baterija i punjač tvrtke Makita
- Postolje
- Škrip
- Antirefleksijska folija

### NAPOMENA:

- Neki predmeti na popisu mogu biti dio pakiranja svjetiljke kao standardni pribor. Mogu se razlikovati od države do države.

**Објаснување на општиот преглед**

1	Рамка	6	Батерија	8	Прекинувач
2	Основа	7	Приклучок (обликот може да се разликува од земја до земја)	9	Копче
3	Завртка				
4	Блокатор на капак				
5	Капак на батерија				

**СПЕЦИФИКАЦИИ**

Модел	DML805			
LED	20 x 0,6 W			
Време на работа* (со батерија BL1830)	(Приближно) Висок: 5 часа / Низок: 10 часа			
Извор на напојување	220-240 V 50-60 Hz AC или 14,4 V / 18 V DC			
Стандардна батерија	BL1415 / BL1415N	BL1430 / BL1440 / BL1450	BL1815 / BL1815N / BL1820	BL1830 / BL1840 / BL1850
Напон (при функционирање со батерија)	14,4 V		18 V	
Димензии (Д x Ш x В)	214 мм x 261 мм x 328 мм			
Нето тежина	2,3 кг	2,5 кг	2,4 кг	2,6 кг
Област која прима притисок (област на лека)	0,0195 м²			

- Како резултат на нашата континуирана програма за истражување и развој, спецификациите за производот се предмет на измени без известување.
- Спецификациите и батеријата може да се разликуваат од земја до земја.
- Тежина, со батерија, според ЕРТА-постапка 01/2003
- \* Оваа вредност е само советодавна. Таа може да се разликува во зависност од состојбата и опкружувањето на батеријата.

**Симболи**

Следново ги покажува симболите употребени за опремата. Бидете сигурни дека го разбирате нивното значење пред употребата.



- Прочитајте го упатството за работа.



- Само за внатрешна употреба



- Само за земји на ЕУ  
Не фрлајте ја електричната опрема или батериското пакување заедно со отпадниот материјал од домаќинството! Согласно со европските директиви, за отпад од електрична и електронска опрема и батерии и акумулатори и отпад од батерии и акумулатори, и нивната примена во согласност со националните закони, електричната опрема и батериите и батериските пакувања што го завршиле работниот век мора да бидат собрани издвоено и однесени во капацитет за рециклирање компатибилен со животната средина.



- ДВОЈНА ИЗОЛАЦИЈА



- Оптичко зрачење (ултравиолетово и инфрацрвено). Минимизирајте ја изложеноста на очите или кожата.



- Не гледајте во ламбата додека работи.



- Употребувајте соодветен штитник или заштита за очи.



- Изворот на светлина што се наоѓа во оваа светилка треба да биде заменет само од овластен сервисен центар.



- Обрнувајте особено внимание и грижа!

**ВАЖНИ УПАТСТВА ЗА БЕЗБЕДНОСТ**

**⚠ ПРЕДУПРЕДУВАЊЕ:** При употреба на светилки, секогаш треба да се следат основните мерки на претпазливост за да се намали ризикот од пожар, струен удар и лична повреда, вклучувајќи го следново:

**ПРОЧИТАЈТЕ ГИ СИТЕ УПАТСТВА.**

**⚠ ВНИМАНИЕ:**

1. Кога светилката не се употребува, секогаш исклучувајте ја и извлекувајте ја од напојување / вадете ја батеријата од светилката.
2. Не покривајте ја или обвиткувајте ја светилката со платно или картон и сл. Покривањето или обвиткувањето на истиот може да предизвика пожар.

3. Не употребувајте ја светилката на влажни или мокри места. Не изложувајте ја светилката на дожд или снег. Не чистете го во вода.
4. Не употребувајте ја светилката во експлозивни атмосфери, како во присуство на запаливи течности, гасови или прав.
5. Приклучоците на светилката мора да одговараат на приклучницата. Никогаш не модификувајте го приклучокот на кој болно начин. Не употребувајте никакви адаптери на приклучоците со заземјени светилки. Оригиналните приклучоци и приклучниците што им одговараат ќе го намалат ризикот од струен удар.
6. Избегнувајте телесен контакт со заземјени површини како што се цевки, радијатори, шпорети и ладилници. Постои зголемен ризик од струен удар доколку вашето тело е заземјено.
7. Не употребувајте го кабелот за други намени. Никогаш не употребувајте го кабелот за носење, влечење или за извлекување од напојување на светилката. Држете го кабелот подалеку од топлина, масло, остри рабови или подвижни делови. Оштетени или заплеткани кабли го зголемуваат ризикот од струен удар.
8. Доколку надворешниот флексибилен кабел или жица на оваа светилка е оштетен, исклучиво треба да биде заменет од овластен сервисен центар за да се избегне опасност.
9. Не гледајте директно во LED светилката или изворот на светлина.

Ламбата е класифицирана во група на ризик 1.

- a) Ламбата или системот на ламбата е надвор од Групата со исклучоци и ризикот за лицето кое гледа во истата зависи од тоа како корисниците ќе го монтираат и употребуваат производот;
- b) Напојнички ризик од оптичко зрачење и други ризици од оптичко зрачење надвор од Групата со исклучоци.
- c) Правилно склопување, монтирање, одржување и безбедна употреба, вклучувајќи јасни предупредувања што се однесуваат на мерките на претпазливост за да се избегне можно изложување на опасно оптичко зрачење.
- d) Совети за постапки за безбедно функционирање и предупредувања кои се однесуваат на разумно предвидливи погрешни употреби, дефекти и режими на ризично откажување.
- e) **НАПОМЕНА:** Овој производ емитура ултравиолетово и инфрацрвено зрачење.
- f) **ПРЕДУПРЕДУВАЊЕ:** Овој производ емитура инфрацрвено зрачење.
- g) **ВНИМАНИЕ:** Можно опасно оптичко зрачење се емитура од овој производ.
- h) Минимизирајте ја изложеноста на очите или кожата. Употребувајте соодветен штитник.
- i) Употребувајте соодветен штитник или заштита за очи.
- j) Не гледајте во ламбата додека работи. Може да биде штетно за очите.
- k) Изложеноста може да доведе до иритација на очите или кожата. Избегнувајте изложеност на очите.

## Употреба и грижа за светилката со батерија

1. Полнете само со полначот посочен од производителот. Полначот што е соодветен за еден тип на батерија може да предизвика ризик од пожар кога се употребува со друга батерија.
2. Употребувајте ги светилките само со конкретно наведените батерии. Употребата на поинакви батерии може да доведе до ризик од повреда и пожар.
3. Кога батеријата не се употребува, чувајте ја настрана од други метални предмети како што се спојувалки за хартија, парички, клучеви, шајки, завртки или други мали метални предмети што може да направат спој од другиот пол на батеријата. Предизвикување на краток спој со спојување на половите на батеријата може да предизвика изгореници или пожар.
4. При несоодветна употреба, течноста може да истече од батеријата; избегнувајте контакт со истата. Доколку ненадејно дојдете во контакт, измијте со вода. Ако течноста дојде во контакт со очите, дополнително побарајте медицинска помош. Течноста која истекла од батеријата може да предизвика иритација или изгореници.

## ВАЖНИ УПАТСТВА ЗА БЕЗБЕДНОСТ ЗА БАТЕРИЈАТА

1. Пред употребата на батеријата, прочитајте ги сите упатства и ознаки за предупредување на (1) полначот за батерии, (2) батеријата и (3) производот што ја употребува батеријата.
2. Не расклопувајте ја батеријата.
3. Доколку времето на работа стане претерано кратко, веднаш престанете со работа. Тоа може да доведе до ризик од прегревање, можни изгореници, па дури и до експлозија.
4. Доколку електролит ви навлезе во очите, исплакнете ги со чиста вода и веднаш побарајте медицинска помош. Тоа може да доведе до губење на вашиот вид.
5. Не предизвикувајте краток спој на батеријата.
  - (1) Не допирајте ги половите со материјал кој е проводник.
  - (2) Избегнувајте чување на батеријата во сад со други метални предмети како што се шајки, парички и слично.
  - (3) Не изложувајте ја батеријата на вода или дожд. Краткиот спој на батеријата може да предизвика голем проток на електрична енергија, прекумерно загревање, можни изгореници, па дури и распаѓање на истата.
6. Не складирајте ја светилката и батеријата на места каде што температурата може да достигне или надмине 50°C.
7. Не палете ја батеријата дури и ако е сериозно оштетена или потполно истрошена. Батеријата може да експлодира во оган.
8. Внимавајте да не ја испуштите или удриете батеријата.
9. Не употребувајте оштетена батерија.
10. Следете ги вашите локални прописи за фрлање на батеријата во отпад.

## Совети за одржување на максимален рок на употреба на батеријата

1. Полнете ја батеријата пред потполно да се испразни.  
Секогаш запирајте го функционирањето на светилката и полнете ја батеријата кога ќе забележите помала сила на светилката.
2. Никогаш не полнете потполно наполнета батерија.  
Прекумерното полнење го скратува работниот век на батеријата.
3. Полнете ја батеријата на собна температура од 10°C – 40°C. Оставете жешката батерија да се излади пред да ја полните.
4. Полнете ја батеријата еднаш на секои шест месеци доколку не ја употребувате подолг временски период.

## Чувајте ги сите предупредувања и упатства за да ги прочитате по потреба.

### СКЛОПУВАЊЕ

#### ⚠ ВНИМАНИЕ:

- Секогаш проверувајте дали светилката е исклучена, извлечена од напојување и дали батеријата е извадена пред да вршите каква било работа на светилката.

#### Склопување на рамката и основата (Сл. 1)

Склопете ја работната светилка како што следи:

1. Отстранете ги завртките.
2. Ставете ги нозете на рамката во основата.
3. Порамнете ги отворите на рамката и основата.
4. Стенете ги со завртки.

### ФУНКЦИОНАЛЕН ОПИС

#### ⚠ ВНИМАНИЕ:

- Секогаш проверувајте дали светилката е исклучена, извлечена од напојување и дали батеријата е извадена пред да го прилагодувате или проверувате работењето на светилката.

#### Употреба со батерија:

#### Монтирање или отстранување на батеријата

#### ⚠ ВНИМАНИЕ:

- Секогаш исклучувајте ја светилката и извлекувајте ја од напојување пред монтирањето или отстранувањето на батеријата.
- **Држете ја светилката и батеријата цврсто кога ја монтирате или отстранувате батеријата.** Доколку не успеете цврсто да ги задржите светилката и батеријата може да се случи истите да се лизнат од вашите раце и да дојде до оштетување на светилката и батеријата и до лична повреда.

За да ја монтирате батеријата, ослободете го блокаторот на капакот и отворете го капакот на батеријата. Ставете ја батеријата. Порамнете го јазичето на батеријата со жлебот во кукиштето и наместете ја на соодветното место. Ставете ја до крај се додека не се намести на своето место со мало кликување. Потоа затворете го капакот на батеријата. (Сл. 2)

За да ја извадите батеријата, лизнете ја од светилката додека го лизгате копчето на предниот дел на батеријата.

#### ⚠ ВНИМАНИЕ:

- Секогаш монтирајте ја батеријата целосно на своето место. Во спротивно, таа може случајно да падне од светилката предизвикувајќи ви повреда вам или на некој околу вас.
- Не монтирајте ја батеријата на сила. Доколку батеријата не се вклопи лесно, таа не е соодветно поставена.

#### Употреба со електрично напојување:

Поврзете го приклучокот на електричното напојување. (Сл. 3)

#### Вклучување на LED светилката (Сл. 4)

Притиснете го прекинувачот еднаш, светилката свети сјајно (висок режим). Притиснете го прекинувачот повторно, светилката свети умерено (низок режим). За да ја исклучите светилката, повторно притиснете го прекинувачот.

#### Систем за заштита на батеријата (Сл. 5)

Светилката е опремена со систем за заштита на батеријата за да го продолжи работниот век на батеријата.

Кога батеријата ослабува, LED светилките се исклучуваат со исклучок на само една LED (таа во средината на вториот ред). Потоа, по приближно пет до десет минути, системот автоматски го исклучува напојувањето.

### ФУНКЦИОНИРАЊЕ

#### ⚠ ВНИМАНИЕ:

- Оваа работна светилка е наменета за теренска работа. Не употребувајте ја работната светилка за домашна потреба.
- Секогаш ставајте ја светилката на рамно и стабилно место. Во спротивно може да настане несакано паѓање.

#### Прилагодување на аголот на работната светилка (Сл. 6)

Олабавете ги копчињата на двете страни. Прилагодете го аголот на работната светилка. Потоа повторно стегнете ги копчињата.

#### Употреба со трножен држач или стега (опционален прибор) (Сл. 7)

#### ⚠ ВНИМАНИЕ:

- Прочитајте ги внимателно упатствата за употреба за приборот пред да го употребите истиот со работната светилка.
- Кога го употребувате со трножен држач или стега не дозволувајте вкупната висина да надминува 1,75 м.

Вие може да ја ставите работната светилка врз трножен држач или стега за да го олесните функционирањето.

### ОДРЖУВАЊЕ

#### ⚠ ВНИМАНИЕ:

- Секогаш проверувајте дали светилката е исклучена, извлечена од напојување и дали батеријата е извадена пред да вршите проверка или одржување.
- Никогаш не користете бензин, растворувач, алкохол или слично. Може да дојде до губење на бојата, деформација или пукнатини.

Само работите на одржување опишани во ова упатство за работа може да се извршат од страна на корисникот. Секоја друга работа мора да се изврши од овластените сервисни центри на Makita.

### **Чистење**

Од време на време избришете ја надворешноста (телото на светилката) на светилката употребувајќи крпа натопена во сапуница.

За да се одржува БЕЗБЕДНОСТА и ДОВЕРЛИВОСТА на производот, поправките, секое друго одржување или прилагодување треба да се изврши од страна на овластените сервисни центри на Makita, секогаш употребувајќи резервни делови Makita.

## **ОПЦИОНАЛЕН ПРИБОР**

### **ВНИМАНИЕ:**

- Овој прибор или додатоци се препорачани за употреба со вашата светилка Makita наведена во ова упатство. Употребата на секаков друг прибор или додатоци може да претставува ризик од повреда за лицата. Употребувајте само прибор или додаток за нивната наведена цел.

Доколку ви е потребна некаква помош за повеќе поединости во врска со овој прибор, обратете се до вашиот локален сервисен центар на Makita.

- Оригинална батерија и полнач Makita
- Троножен држач
- Стега
- Фолија против отсјај

### **ЗАБЕЛЕШКА:**

- Некои ставки во листата може да бидат вклучени во пакувањето на светилката како стандарден прибор. Тој може да се разликува од земја до земја.

**Legendă pentru vederea detaliată**

- |                                       |  |                 |
|---------------------------------------|--|-----------------|
| 1 Carcasă                             | 5 Capacul compartimentului pentru acumulator   | 8 Comutator     |
| 2 Suport                              | 6 Acumulator                                   | 9 Buton rotativ |
| 3 Șurub                               | 7 Fișă (poate fi diferită, în funcție de țară) |                 |
| 4 Dispozitiv de închidere a capacului |  |                 |

**DATE TEHNICE**

Model	DML805			
Leduri	20 x 0,6 W			
Durată de funcționare* (cu acumulator BL1830)	(aproximativ) Intens: 5 ore / redus: 10 ore			
Alimentare	220 – 240 V 50 – 60 Hz c.a. sau 14,4 V / 18 V c.c.			
Acumulator standard	BL1415 / BL1415N	BL1430 / BL1440 / BL1450	BL1815 / BL1815N / BL1820	BL1830 / BL1840 / BL1850
Tensiune (la funcționarea cu acumulator)	14,4 V		18 V	
Dimensiuni (L x L x H)	214 mm x 261 mm x 328 mm			
Greutate netă	2,3 kg	2,5 kg	2,4 kg	2,6 kg
Zona supusă presiunii (zona lentilei)	0,0195 m <sup>2</sup>			

- Datorită programului nostru continuu de cercetare și dezvoltare, datele tehnice pot fi modificate fără avis prealabil.
- Datele tehnice și acumulatorul pot fi diferite, în funcție de țară.
- Greutate, cu acumulator, conform Procedurii EPTA 01/2003
- \* Această valoare are doar rol orientativ. Poate diferi în funcție de condițiile și mediul în care se utilizează acumulatorul.

**Simboluri**

Mai jos sunt prezentate simbolurile utilizate pentru echipament. Asigurați-vă că înțelegeți semnificația acestora înainte de utilizare.



- Citiți manualul de instrucțiuni.



- A se utiliza numai în spații închise



- Numai pentru țările UE  
Nu aruncați echipamentul electric sau acumulatorii împreună cu deșeurile menajere obișnuite!

În concordanță cu directivele europene privind deșeurile de echipamente electrice și electronice, bateriile și acumulatorii și deșeurile de baterii și acumulatori și implementarea acestora în conformitate cu legislația națională, echipamentele electrice, bateriile și acumulatorii care urmează să fie scoase/scoși din uz trebuie să fie colectate/colectați separat și predate/predați unui centru de reciclare care respectă siguranța mediului înconjurător.



- DUBLĂ IZOLAȚIE



- Radiații optice (UV și IR).  
Reduceți cât mai mult posibil expunerea ochilor și a pielii.



- Nu priviți direct în fasciculul luminos.



- Purtați vizieră sau echipamente adecvate de protecție a ochilor.



- Sursa de lumină a acestui corp de iluminat se va înlocui numai de către centrul de service autorizat.



- Acordați o atenție deosebită!

**INSTRUCȚIUNI DE SIGURANȚĂ IMPORTANTE**

**⚠️ AVERTISMENT:** Atunci când utilizați corpuri de iluminat, pentru a reduce pericolul de incendiu sau de electrocutare și pericolul de vătămare corporală, respectați măsurile de siguranță elementare, printre care și următoarele:

**CITIȚI TOATE INSTRUCȚIUNILE.**

**⚠️ ATENȚIE:**

1. Atunci când nu utilizați corpul de iluminat, închideți-l și scoateți cablul de alimentare din priză/scoateți acumulatorul.
2. Nu acoperiți corpul de iluminat și nu îl blocați cu materiale textile, carton etc.
3. Nu utilizați corpul de iluminat în locuri cu umiditate ridicată. Nu expuneți corpul de iluminat la ploaie sau zăpadă. Nu spălați echipamentul în apă.
4. Nu utilizați corpul de iluminat în atmosfere explozive, de exemplu în prezența lichidelor, gazelor sau pulberilor inflamabile.

5. Fișele corpurilor de iluminat trebuie să se potrivească prizelor de curent. Nu modificați fișa. Nu folosiți adaptoare pentru corpurile de iluminat cu împământare. Fișele nemedificate și prizele potrivite reduc pericolul de electrocutare.
6. În timpul funcționării echipamentului, evitați contactul fizic cu obiecte supraterane sau subterane, de exemplu țevi, conducte de încălzire, mașini de gătit, frigidere. Pericolul de electrocutare este mai mare atunci când corpul dvs. nu este izolat electric.
7. Nu utilizați cablul în alte scopuri, de exemplu pentru a transporta, trage sau scoate din priză corpul de iluminat. Feriți cablul de sursele de căldură, de ulei, de marginile ascuțite sau de piesele mobile. Un cablu deteriorat sau încurcat poate crește riscul de electrocutare.
8. În cazul în care prelungitorul sau cablul de alimentare este deteriorat, trebuie înlocuit numai de către centrul de service autorizat, pentru a se evita pericolul.
9. Nu priviți direct în fasciculul ledurilor sau în sursa de lumină.

Lampa face parte din Grupa de risc 1.

- a) Lampa sau sistemul de lămpi este inclus(ă) în Grupa de risc zero, iar riscurile datorate privirii luminii depind de modul în care utilizatorul montează și folosește produsul;
- b) Cel mai restrictiv pericol de radiație optică și alte pericole de radiație optică sunt incluse în Grupa de risc zero.
- c) Asamblarea, montarea și întreținerea în mod corect și utilizarea în siguranță, inclusiv avertismente clare privind măsurile de siguranță necesare pentru a se evita o posibilă expunere la radiații optice periculoase.
- d) Instrucțiuni pentru procedurile de utilizare în siguranță și avertismente privind utilizările greșite care pot fi prevăzute în mod rezonabil, funcționarea defectuoasă și defecțiunile periculoase.
- e) **OBSERVAȚIE:** Radiații UV și IR emise de acest produs.
- f) **AVERTISMENT:** Radiații IR emise de acest produs.
- g) **ATENȚIE:** Radiații optice posibil periculoase emise de acest produs.
- h) Reduceți cât mai mult posibil expunerea ochilor și a pielii. Purtați echipament de protecție adecvat.
- i) Purtați vizieră sau echipamente adecvate de protecție a ochilor.
- j) Nu priviți direct în fasciculul luminos. Acesta poate fi dăunător pentru ochi.
- k) În urma expunerii, pot apărea iritații oculare sau cutanate. Evitați expunerea ochilor.

#### **Utilizarea și întreținerea corpurilor de iluminat cu acumulator**

1. Încărcați acumulatorul numai cu încărcătorul specificat de producător. Un încărcător potrivit pentru un anumit model de acumulatori poate reprezenta un pericol de incendiu dacă este utilizat cu un alt model de acumulatori.
2. Utilizați numai acumulatori special concepuți pentru corpurile de iluminat. Utilizarea altor tipuri de acumulatori poate provoca incendii și vătămări corporale.

3. Atunci când nu utilizați acumulatorul, nu îl păstrați laolaltă cu obiecte metalice, de exemplu agrafe pentru hârtie, monede, chei, suruburi sau alte obiecte metalice mici, care pot realiza o conexiune între borne. Scurtcircuitarea bornelor acumulatorului poate provoca arsuri sau incendii.
4. Dacă acumulatorul este lovit sau scăpat, electrolitul se poate scurge; evitați contactul cu electrolitul. Dacă atingeți din greșeală electrolitul, spălați-vă cu apă. În cazul contactului cu ochii, solicitați asistență medicală. Electrolitul scurs din acumulator poate provoca iritații sau arsuri.

#### **INSTRUCȚIUNI DE SIGURANȚĂ IMPORTANTE PENTRU ACUMULATORI**

1. Înainte de a utiliza acumulatorul, citiți toate instrucțiunile și marcajele de avertizare de pe (1) încărcător, (2) acumulator și (3) produsul cu care va fi utilizat acumulatorul.
2. Nu demontați acumulatorul.
3. Dacă durata de funcționare se reduce prea mult, opriți imediat unealta. Poate avea loc o supraîncălzire, se pot produce arsuri sau chiar o explozie.
4. Dacă electrolitul vă pătrunde în ochi, clătiți ochii cu apă curată și consultați de urgență medicul. În caz contrar, vă puteți pierde vederea.
5. Nu scurtcircuitați acumulatorul:
  - (1) Nu atingeți bornele cu un material conducător de electricitate.
  - (2) Nu păstrați acumulatorul în același loc cu alte obiecte metalice, cum ar fi cuie, monede etc.
  - (3) Nu expuneți acumulatorul la apă sau ploaie.
 Un acumulator scurtcircuitat poate provoca un flux intens de curent electric, supraîncălzire, arsuri sau chiar o pană de curent.
6. Nu păstrați corpul de iluminat și acumulatorul în locuri în care temperatura poate atinge sau depăși 50°C.
7. Nu incineratiți acumulatorul nici măcar atunci când prezintă deteriorări grave sau este complet uzat. Acumulatorul poate exploda.
8. Aveți grijă să nu scăpați și să nu loviți acumulatorul.
9. Nu utilizați un acumulator defect.
10. Respectați legislația locală privind eliminarea acumulatorilor.

#### **Instrucțiuni de păstrare a duratei maxime de viață a acumulatorului**

1. Încărcați acumulatorul înainte de a fi descărcat complet. Oprii întotdeauna funcționarea corpului de iluminat și încărcăți acumulatorul atunci când observați că corpul de iluminat nu mai funcționează cu aceeași putere.
2. Nu reîncărcați niciodată un acumulator complet încărcat. Supraîncărcarea scurtează durata de viață a acumulatorului.
3. Încărcați acumulatorul la o temperatură ambientă de 10°C – 40°C. Dacă acumulatorul este fierbinte, lăsați-l să se răcească înainte de a-l încărca.
4. Încărcați acumulatorul o dată la șase luni dacă nu îl utilizați pentru o perioadă îndelungată de timp.

**Păstrați toate avertismentele și instrucțiunile pentru a le putea consulta ulterior.**

## ASAMBLAREA

### ⚠️ ATENȚIE:

- Înainte de a efectua orice operațiuni asupra corpului de iluminat, verificați ca acesta să fie oprit, cablul de alimentare scos din priză și acumulatorul scos.

### Asamblarea carcasei și suportului (Fig. 1)

Asamblați lampa de lucru după cum urmează:

1. Scoateți șuruburile.
2. Introduceți picioarele carcasei în suport.
3. Potrivii orificiile carcasei cu cele ale suportului.
4. Strângeți-le cu șuruburile.

## DESCRIEREA FUNCȚIILOR

### ⚠️ ATENȚIE:

- Înainte de a efectua operațiuni de reglare sau verificare a funcționării corpului de iluminat, verificați ca acesta să fie oprit, cablul de alimentare scos din priză și acumulatorul scos.

### Utilizarea cu acumulator:

#### Introducerea și scoaterea acumulatorului

### ⚠️ ATENȚIE:

- Opriți întotdeauna corpul de iluminat și scoateți cablul de alimentare din priză înainte de a introduce sau scoate acumulatorul.
- Țineți bine corpul de iluminat și acumulatorul atunci când introduceți sau scoateți acumulatorul. Dacă nu țineți bine corpul de iluminat și acumulatorul, acestea vă pot aluneca din mână, ceea ce poate duce la deteriorarea corpului de iluminat și a acumulatorului și la vătămări corporale.

Pentru a introduce acumulatorul, eliberați dispozitivul de închidere a capacului și deschideți capacul compartimentului pentru acumulator. Introduceți acumulatorul. Potrivii clapeta de pe acumulator cu șanțul de pe carcasă și împingeți acumulatorul în poziție. Introduceți-l complet, până când se fixează în poziție cu un scurt clic. Închideți capacul compartimentului pentru acumulator. (Fig. 2)

Pentru a scoate acumulatorul, trageți-l din corpul de iluminat în timp ce glisați butonul din partea din față a acumulatorului.

### ⚠️ ATENȚIE:

- Introduceți întotdeauna acumulatorul până la capăt. În caz contrar, poate cădea din corpul de iluminat, provocând accidentarea dvs. sau a celor din jur.
- Nu introduceți acumulatorul forțat. Dacă nu alunecă ușor în poziție, înseamnă că nu este introdus corect.

### Utilizarea cu cablul de alimentare:

Introduceți fișa cablului de alimentare în priză de curent. (Fig. 3)

### Aprinderea lămpii cu leduri (Fig. 4)

Dacă apăsați comutatorul o dată, lampa luminează puternic (modul intens). Dacă apăsați comutatorul încă o dată, lampa luminează slab (modul redus). Pentru a stinge lampa, apăsați din nou pe comutator.

### Sistemul de protecție a acumulatorului (Fig. 5)

Corpul de iluminat este prevăzut cu un sistem de protecție a acumulatorului, pentru a prelungi durata de utilizare a acestuia.

Atunci când acumulatorul se descarcă, ledurile se sting în afară de unu (cel din mijlocul celui de-al doilea rând). După aproximativ cinci-zece minute, sistemul întrerupe automat alimentarea.

## FUNCȚIONAREA

### ⚠️ ATENȚIE:

- Această lampă de lucru este destinată utilizării în timpul lucrului pe teren. Nu o utilizați în scop casnic.
- Așezați întotdeauna corpul de iluminat pe o suprafață dreaptă și stabilă. În caz contrar, lampa poate cădea, provocând accidente.

### Reglarea unghiului lămpii de lucru (Fig. 6)

Slăbiți butoanele rotative de pe ambele părți. Reglați unghiul de înclinare a lămpii de lucru. După aceea, strângeți la loc butoanele rotative.

### Utilizarea cu un trepied sau cu o menghină (acesorii opționale) (Fig. 7)

### ⚠️ ATENȚIE:

- Citiți cu atenție manualele de instrucțiuni ale accesoriilor înainte de a le utiliza cu lampa de lucru.
- Atunci când utilizați lampa cu un trepied sau cu o menghină, înălțimea totală nu trebuie să depășească 1,75 m.

Puteți monta lampa de lucru pe trepied sau pe menghină pentru o utilizare mai ușoară.

## ÎNȚREȚINEREA

### ⚠️ ATENȚIE:

- Opriți întotdeauna corpul de iluminat și scoateți cablul de alimentare din priză și acumulatorul înainte de a efectua lucrări de verificare sau de întreținere asupra corpului de iluminat.
- Nu folosiți niciodată benzină, neofalină, diluant, alcool sau substanțe asemănătoare. Se pot produce decolorări, deformări sau fisuri.

Este interzis efectuarea de către utilizator a altor lucrări de întreținere decât cele descrise în prezentul manual de instrucțiuni. Orice altă lucrare trebuie executată la centrele de service Makita autorizate.

### Curățarea

Din când în când, ștergeți suprafața exterioară a corpului de iluminat (structura) cu o lavetă înmuiată în soluție de apă și săpun.

FIABIL, reparatiile, lucrările de întreținere și reglajele vor fi efectuate de către centrele de service Makita autorizate, folosindu-se întotdeauna piese de schimb Makita.

## ACCESORII OPȚIONALE

### ⚠️ ATENȚIE:

- Aceste accesorii sau piese suplimentare sunt recomandate pentru corpul de iluminat Makita prezentat în acest manual. Utilizarea altor accesorii sau piese suplimentare poate reprezenta un pericol de vătămare corporală. Folosiți accesoriul sau piesa suplimentară numai în scopul pentru care a fost creat(ă).



Dacă aveți nevoie de asistență sau mai multe informații cu privire la aceste accesorii, adresați-vă centrului de service Makita din zona dvs.

- Acumulator și încărcător originale Makita
- Trepied
- Menghină
- Folie antireflex

**NOTĂ:**

- Unele articole din listă pot fi livrate odată cu corpul de iluminat ca accesorii standard. Acestea pot diferi de la o țară la alta.

**Објашњење општег приказа**

1 Оквир	5 Поклопац батерије	8 Прекидач
2 Основа	6 Батерија	9 Точкић
3 Завртањ	7 Утикач (облик може да се разликује у зависности од земље)	
4 Бравица поклопца		

**СПЕЦИФИКАЦИЈЕ**

Модел	DML805			
LED	20 x 0,6 W			
Време рада* (уз батерију BL1830)	(Приближно) јаки: 5 сати / слаби: 10 сати			
Напајање	220 – 240 V 50 – 60 Hz AC или 14,4 V / 18 V DC			
Стандардна батерија	BL1415 / BL1415N	BL1430 / BL1440 / BL1450	BL1815 / BL1815N / BL1820	BL1830 / BL1840 / BL1850
Напон (уз коришћење са батеријом)	14,4 V		18 V	
Димензије (Д x Ш x В)	214 mm x 261 mm x 328 mm			
Нето тежина	2,3 kg	2,5 kg	2,4 kg	2,6 kg
Простор који прима притисак (област сочива)	0,0195 m <sup>2</sup>			

- Због нашег непрекидног програма истраживања и развоја, спецификације овде дате су подложне промени без претходног обавештења.
- Спецификације и батерија могу да се разликују у зависности од земље.
- Тежина заједно са батеријом, у складу са ЕРТА-Procedure 01/2003
- \* Ова вредност је само информативна. Она може да варира у складу са стањем батерије и средином у којој се она налази.

**Симболи**

У наставку су наведени симболи који су коришћени за опрему. Обавезно разумите шта значе пре употребе.



- Прочитајте упутство за употребу.



- Само за употребу у затвореном простору



- Само за земље ЕУ
- Немојте одлагати електричну опрему или батеријски уложак заједно са кућним отпадним материјалом!

У складу са европским директивама о отпадној електричној и електронској опреми, батеријама и акумулаторима, као и отпадним батеријама и акумулаторима и њиховом применом у складу са националним законима, електрична опрема и батерије и батеријски улошки који су дошли до краја радног века се морају посебно прикупити и предати еколошки компатибилном постројењу за рециклажу.



- ДВОСТРУКА ИЗОЛАЦИЈА



- Оптичко зрачење (ултраљубичасто и инфрацрвено). Сведите излагање очију и коже на најмању могућу меру.



- Немојте да гледате у лампу која је укључена.



- Користите одговарајући штитник или заштиту за очи.



- Извор светлости који се налази у овом светлосном телу сме да замени искључиво овлашћени сервисни центар.



- Обратите посебну пажњу!

**ВАЖНЕ БЕЗБЕДНОСНЕ ОДРЕДБЕ**

**⚠ УПОЗОРЕЊЕ:** Приликом употребе светлосних тела неопходно је увек поштовати основне безбедносне мере предострожности како би се смањило ризик од пожара, струјног удара и повреда, укључујући следеће:

**ПРОЧИТАЈТЕ СВА УПУТСТВА.**

**⚠ ОПРЕЗ:**

1. Када се светлосно тело не користи, увек га искључите и извучите прикључак из струје/извадите батерију из светлосног тела.
2. Немојте покривати нити запушавати светлосно тело тканином или картоном и сличним. Покривање или запушавање може да узрокује пожар.
3. Немојте користити светлосно тело на влажном или мокром месту. Немојте излагати светлосно тело киши нити снегу. Немојте га прати водом.

4. Немојте користити светлосно тело у експлозивним срединама, рецимо у присуству запаљивих течности, гасова или прашине.
5. Утикачи светлосних тела морају да одговарају утичници. Немојте мењати утикач ни на који начин. Немојте користити адаптере за утикаче са уземљеним светлосним телима. Немодификовани утикачи и одговарајуће утичнице ће смањити ризик од струјног удара.
6. Избегавајте додир тела са уземљеним површинама као што су цеви, радијатори, шпорети и фрижидери. Уколико је ваше тело уземљено, постоји повећани ризик од струјног удара.
7. Немојте неправилно користити кабл. Никада немојте користити кабл за ношење, вучење или искључивање светлосног тела из утичнице. Држите кабл подаље од топлоте, нафте, оштрих ивица или покретних делова. Оштећени или запетљани каблови могу да повећају ризик од струјног удара.
8. Ако је спољни флексибилни кабл овог светлосног тела оштећен, сме да га замени искључиво овлашћени сервисни центар како би се избегле опасности.
9. Немојте да гледате у LED светло нити да дерактно гледате у извор светлости.

Лампа је класификована као ризична група 1.

- a) Лампа или систем лампе превазилази изузету групу и ризик у вези са гледаоцем зависи од тога како корисници инсталирају и користе производ;
- b) Најограниченији степен опасности од оптичког зрачења и других опасности од оптичког зрачења превазилази изузету групу.
- c) Правилно склапање, инсталација, одржавање и безбедна употреба, укључујући јасна упозорења у вези са мерама предострожности ради избегавања могућег излагања опасном оптичком зрачењу.
- d) Савети за процедуре за безбедно коришћење и упозорења у вези са злоупотребама, кваровима и стањима опасног затајивања која се могу предвидети у разумној мери.
- e) ПАЖЊА: Овај производ емитује ултраљубичасту и инфрацрвену светлост.
- f) УПОЗОРЕЊЕ: Овај производ емитује инфрацрвену светлост.
- g) ОПРЕЗ: Овај производ емитује потенцијално опасно оптичко зрачење.
- h) Сведите излагање очију и коже на најмању могућу меру. Користите одговарајући штитник.
- i) Користите одговарајући штитник или заштиту за очи.
- j) Немојте да гледате у лампу која је укључена. То може да буде штетно по ваше очи.
- k) Излагање може довести до иритације очију или коже. Избегавајте излагање очију.

#### **Употреба и одржавање светлосних тела са батеријом**

1. Пуните само пуњачем који је навео произвођач. Пуњач који одговара једном типу батерије може да доведе до ризика од пожара када се користи са другом батеријом.
2. Користите светлосна тела само са конкретном наведеним батеријама. Употреба било које друге батерије може да створи ризик од повреде и пожара.

3. Када се батерија не користи, држите је подаље од других металних предмета попут спајалица, новчића, кључева, ексера, завртњева или других малих металних предмета који могу да споје два терминала. Кратко спајање терминала батерије може да изазове опекотине или пожар.
4. У условима неправилне употребе, течност може да исцури из батерије. Избегавајте додир са њом. Ако случајно дођете у додир са њом, исперите је водом. Ако течност дође у додир са очима, додатно затражите помоћ лекара. Течност која исцури из батерије може да изазове иритацију или опекотине.

#### **ВАЖНЕ БЕЗБЕДНОСНЕ ОДРЕДБЕ ЗА БАТЕРИЈУ**

1. Пре коришћења батерије прочитајте сва упутства и ознаке упозорења на (1) пуњачу батерије, (2) батерији и (3) и производу у коме се користи батерија.
2. Немојте растављати батерију.
3. Ако време рада постане прекратко, одмах престаните да користите батерију. Може доћи до ризика од прегревања, опекотина, па чак и експлозије.
4. Ако електролит доспе у ваше очи, исперите их чистом водом и одмах затражите помоћ лекара. То може довести до губитка вида.
5. Немојте кратко спајати батерије:
  - (1) Немојте додиривати терминале никаквим проводним материјалом.
  - (2) Избегавајте складиштење батерије у амбалажи са другим металним предметима, као што су ексери, новчићи итд.
  - (3) Немојте излагати батерију води или киши. Кратак спој батерије може да доведе до великог тока струје, прегревања, опекотина, па чак и квара.
6. Немојте чувати светлосно тело и батерију на местима на којима температура може да достигне 50°C или више.
7. Немојте спаливати батерију чак и ако је тешко оштећена или потпуно истрошена. Батерија може да експлодира у пожару.
8. Пазите да не испустите или ударите батерију.
9. Немојте користити оштећену батерију.
10. Поштујте локалне прописе по питању одлагања батерије.

#### **Савети за очување максималног века трајања батерије**

1. Промените батерију пре него што се потпуно испразни. Увек прекините коришћење светлосног тела и напуните батерију када приметите да светлосно тело слабије ради.
2. Никада немојте поново пунити већ пуну батерију. Прекомерно пуњење скраћује век трајања батерије.
3. Пуните батерију на собној температури од 10°C – 40°C. Пустите врућу батерију да се охлади пре пуњења.
4. Ако дужи време не користите батерију, напуните је на сваких шест месеци.

#### **Сачувајте сва упозорења и упутства за будуће.**

## САСТАВЉАЊЕ

### ОПРЕЗ:

- Увек се постарајте да светлосно тело буде искључено, а батерија уклоњена пре било каквог рада на светлосном телу.

### Састављање оквира и основе (сл. 1)

Саставите рефлектор на следећи начин:

- Одвијте завртњеве.
- Поставите ноге оквира у основу.
- Поравнајте рупе оквира и основе.
- Причврстите их завртњима.

## ОПИС ФУНКЦИЈА

### ОПРЕЗ:

- Увек се постарајте да светлосно тело буде искључено и утикач извучен, а батерија уклоњена пре подешавања или проверавања функционисања светлосног тела.

### Коришћење са батеријом:

#### Стављање или вађење батерије

##### ОПРЕЗ:

- Увек искључите светлосно тело пре постављања или вађења батерије.
- Чврсто држите светлосно тело и батерију приликом постављања или вађења батерије.** Ако не budete чврсто држали светлосно тело и батерију, може се десити да вам исклизну из руке, што може довести до оштећења светлосног тела и батерије, као и повреде.

Да бисте поставили батерију, отпустите бравицу поклопца и отворите поклопац батерије. Затим убаците батерију. Поравнајте језичак на батерији са усеком у кућишту и померите је тако да упадне на своје место. Гурните је до краја док се не фиксира на месту уз благо шкљоцање. Затим затворите поклопац батерије. (сл. 2)

Да бисте извадили батерију, извучите је из светлосног тела истовремено повлачећи дугме на предњој страни батерије.

##### ОПРЕЗ:

- Увек поставите батерију потпуно на место. Ако то не учините, она може случајно да испадне из светлосног тела и повреди вас или некога у вашој близини.
- Немојте кратко спајати батерију. Ако батерија не упадне унутра лако, то значи да је не убацијете како треба.

#### Коришћење уз наизменичну струју:

Прикључите утикач у извор струје. (сл. 3)

#### Укључивање LED светла (сл. 4)

Притисните прекидач једном и светло ће јарко светлети (јаки режим). Поново притисните прекидач и светло ће благо светлети (слаби режим). Да бисте искључили светло, поново притисните прекидач.

#### Заштитни систем батерије (сл. 5)

Светлосно тело је опремљено системом за заштиту батерије који продужава век трајања батерије. Када се батерија испразни, LED лампице се гасе, осим једне (у центру другог реда). Затим, након око пет до десет минута, систем аутоматски искључује напајање.

## РУКОВАЊЕ

### ОПРЕЗ:

- Овај рефлектор је намењен коришћењу на терену. Немојте га користити у домаћинству.
- Увек поставите светлосно тело на равно и стабилно место. У супротном може доћи до падања.

#### Подешавање угла рефлектора (сл. 6)

Олабавите точиће са обе стране. Подесите угао рефлектора. Затим поново затегните точиће.

#### Коришћење трonoшца или стеге (опциони додаци) (сл. 7)

##### ОПРЕЗ:

- Пажљиво прочитајте упутства за употребу додатака пре него што их употребите са рефлектором.
- Ако користите трonoжац или стегу, укупна висина не би требало да буде већа од 1,75 m.

Можете да ставите рефлектор на трonoжац или стегу да бисте олакшали руковање.

## ОДРЖАВАЊЕ

### ОПРЕЗ:

- Увек се постарајте да светлосно тело буде искључено и утикач извучен, а батерија уклоњена пре прегледа или одржавања.
- Никада немојте да користите бензин, разређивач, алкохол или слично. Може доћи до губитка боје, деформације или напрслина.

Корисник сме да обавља само одржавање које је описано у овом упутству за употребу. Све остале радове морају да обављају овлашћени Makita сервисни центри.

#### Чишћење

Повремено обришите спољашњост светлосног тела крпом навлаженом сапуњавом водом.

Да бисте одржали БЕЗБЕДНОСТ и ПОУЗДАНОСТ производа, друго одржавање и подешавања би требало да обављају овлашћени Makita сервисни центри, увек користећи Makita резервне делове.

## ОПЦИОНИ ДОДАЦИ

### ОПРЕЗ:

- Ови додаци или прибор су препоручени за коришћење са вашим Makita светлосним телом наведеним у овом упутству. Коришћење свих других додатака или прибора може да представља ризик од повреда. Додатке или прибор користите само за намену која је назначена.

Ако вам је потребна помоћ у погледу додатних информација о овим додацима, затражите је од локалног Makita сервисног центра.

- Makita оригинална батерија и пуњач
- Трonoжац
- Стега
- Фолија против бљештања

#### НАПОМЕНА:

- Неке од ставки на листи могу да буду приложене уз светлосно тело као стандардни додаци. То може да се разликује у зависности од земље.

**Объяснение общего вида**

1 Рама	5 Крышка батареи	8 Переключатель
2 Основание	6 Батарейный картридж	9 Ручка
3 Винт	7 Штепсельная вилка (форма может различаться в зависимости от страны)	
4 Блокировка крышки		

**ТЕХНИЧЕСКИЕ ХАРАКТЕРИСТИКИ**

Модель	DML805			
Светодиод	20 x 0,6 W			
Время работы* (с батареей BL1830)	(Приблизительно) Сильный: 5 часов / Слабый: 10 часов			
Источник питания	220-240 В 50-60 Гц переменного тока или 14,4 В / 18 В постоянного тока			
Стандартный батарейный картридж	BL1415 / BL1415N	BL1430 / BL1440 / BL1450	BL1815 / BL1815N / BL1820	BL1830 / BL1840 / BL1850
Напряжение (при эксплуатации от батареи)	14,4 В		18 В	
Размер (Д x Ш x В)	214 мм x 261 мм x 328 мм			
Вес нетто	2,3 кг	2,5 кг	2,4 кг	2,6 кг
Область приема давления (Область линзы)	0,0195 м <sup>2</sup>			

- Благодаря нашей постоянной программе исследования и развития приведенные здесь технические характеристики могут быть изменены без предварительного уведомления.
- Технические характеристики и батарейный картридж могут различаться в зависимости от страны.
- Вес, с батарейным картриджем, в соответствии с Процедурой ЕРТА 01/2003
- \* Эта величина только для уведомления. Она может различаться в соответствии с состоянием и окружением батареи.

**Символы**

Ниже приведены символы, используемые для оборудования. Перед использованием убедитесь, что Вы понимаете их значение.



- Прочитайте руководство по эксплуатации.



- Для использования только в помещении



- Только для стран ЕС  
Не утилизируйте электрическое оборудование или батарейный блок вместе с бытовым мусором!  
Согласно Европейским Директивам об утилизации электрического и электронного оборудования, батарей и аккумуляторов, утилизации батарей и аккумуляторов, и для ее выполнения в соответствии с государственными законами, электрическое оборудование, батареи и батарейный(е) блок(и), срок службы которых истек, должны быть отдельно собрано и возвращено в пункт утилизации вторично используемого сырья с соблюдением требований охраны окружающей среды.



- ДВОЙНАЯ ИЗОЛЯЦИЯ



- Оптическое излучение (ультрафиолетовое и инфракрасное).  
Минимизация воздействия на глаза или кожу.



- Не смотрите на работающую лампу.



- Используйте подходящее экранирование или защиту для глаз.



- Источник света в этом осветительном приборе следует заменять только в уполномоченном центре по техобслуживанию.



- Соблюдайте особую осторожность и будьте особенно внимательны!

**ВАЖНЫЕ ПРАВИЛА ТЕХНИКИ БЕЗОПАСНОСТИ**

**⚠ ПРЕДОСТЕРЕЖЕНИЕ:** Чтобы уменьшить риск возникновения пожара, поражения электрическим током и получения травмы, при использовании осветительных приборов следует всегда выполнять основные указания по технике безопасности, включая следующие:

**ПРОЧИТАЙТЕ ВСЕ ИНСТРУКЦИИ.**

**⚠ ПРЕДУПРЕЖДЕНИЕ:**

1. Когда осветительный прибор не используется, обязательно выключите его и отсоедините от сети / удалите батарейный картридж из осветительного прибора.
2. Не закрывайте и не засоряйте осветительный прибор тканью, картоном и т.п. Закрывание или засорение могут привести к возгоранию.
3. Не используйте осветительный прибор в сырых или влажных местах. Не подвергайте осветительный прибор воздействию дождя или снега. Не мойте его в воде.
4. Не используйте осветительный прибор во взрывоопасной атмосфере, например, в присутствии огнеопасных жидкостей, газов или пыли.

5. Штепсельные вилки осветительного прибора должны соответствовать розетке. Никогда не модифицируйте штепсельную вилку. Не используйте никакие штепселя-переходники с заземленными (замкнутыми на землю) осветительными приборами. Немодифицированные штепсельные вилки и соответствующие розетки уменьшают опасность поражения электрическим током.
6. Избегайте контакта тела с замкнутыми на землю или заземленными поверхностями, например, трубами, радиаторами, кухонными плитами и холодильниками. Опасность поражения электрическим током возрастает, если Ваше тело замкнуто на землю или заземлено.
7. Не нарушайте правила эксплуатации шнура. Никогда не используйте шнур для переноски осветительного прибора, подтягивания или отсоединения его от сети. Держите шнур подальше от тепла, масла, острых углов или движущихся частей. Поврежденные или запутанные шнуры увеличивают опасность поражения электрическим током.
8. Если внешний гибкий кабель или шнур этого осветительного прибора поврежден, во избежание опасности его следует заменить исключительно в уполномоченном центре по техобслуживанию.
9. Не смотрите непосредственно на светодиодную лампу или на источник света.

Лампа относится к группе риска 1.

- a) Лампа или система ламп превышает параметры Освобожденной Группы, и опасность для смотрящего зависит от того, каким образом изделие установлено и используется пользователем;
- b) Основная ограничительная опасность оптического излучения и прочие опасности оптического излучения превышают параметры Освобожденной Группы.
- c) Правильная сборка, установка, техническое обслуживание и безопасное использование, включая четкие предупреждения, связанные с предотвращением возможного воздействия опасного оптического излучения.
- d) Советы по процедурам безопасной эксплуатации и предупреждения, связанные с достаточно предсказуемыми ошибками, неисправностями и опасными видами отказов.
- e) **ЗАМЕЧАНИЕ:** Это изделие испускает ультрафиолетовое и инфракрасное излучение.
- f) **ПРЕДОСТЕРЕЖЕНИЕ:** Это изделие испускает инфракрасное излучение.
- g) **ПРЕДУПРЕЖДЕНИЕ:** Потенциально опасное оптическое излучение, испускаемое этим устройством.
- h) Минимизация воздействия на глаза и кожу. Используйте подходящее экранирование.
- i) Используйте подходящее экранирование или защиту для глаз.
- j) Не смотрите на работающую лампу. Это может повредить глаза.
- k) В результате воздействия может появиться раздражение глаз или кожи. Не допускайте воздействия на глаза.

## Использование осветительного прибора с батарейным питанием и уход за ним

1. Заряжайте только с помощью зарядного устройства, указанного производителем. Зарядное устройство, которое подходит для батарейного картриджа одного типа, может вызвать риск возникновения пожара при использовании с другим батарейным картриджем.
2. Используйте осветительные приборы только со специально спроектированными батарейными картриджами. Использование любых других батарейных картриджей может вызвать риск получения травмы или возникновения пожара.
3. Когда батарейный картридж не используется, не храните его с другими металлическими предметами, такими как скрепки, монеты, ключи, гвозди, винты или другие небольшие металлические предметы, которые могут привести к контакту одного разъема с другим. Закорачивание клемм батареи может привести к ожогам или пожару.
4. При неправильных условиях эксплуатации возможно испускание жидкости из батареи; избегайте контакта с ней. Если случайно произошел контакт, смойте водой. Если жидкость попала в глаза, обратитесь также за медицинской помощью. Жидкость, испускаемая из батареи, может вызвать раздражение или ожоги.

## ВАЖНЫЕ ПРАВИЛА ТЕХНИКИ БЕЗОПАСНОСТИ ДЛЯ БАТАРЕЙНОГО КАРТРИДЖА

1. Перед использованием батарейного картриджа прочитайте все инструкции и предупреждающие отметки на (1) зарядном устройстве для батареи, (2) батарее и (3) изделии, использующем батарею.
2. Не разбирайте батарейный картридж.
3. Если время работы стало слишком коротким, немедленно прекратите эксплуатацию. Это может привести к перегреву, возможному возгоранию и даже к взрыву.
4. Если электродит попадет в Ваши глаза, промойте их чистой водой и сразу обратитесь к врачу. Это может привести к потере зрения.
5. Не замыкайте накоротко батарейный картридж:
  - (1) Не прикасайтесь к клеммам никакими проводящими ток материалами.
  - (2) Не храните батарейный картридж в контейнере с другими металлическими предметами, например, с гвоздями, монетами и т.п.
  - (3) Не подвергайте батарейный картридж воздействию воды или дождя.
 Закорачивание батареи может вызвать возникновение тока большой силы, перегрев, возможное возгорание и даже поломку.
6. Не храните осветительный прибор и батарейный картридж в местах, где температура может достигнуть или превысить 50°C.
7. Не сжигайте батарейный картридж, даже если он серьезно поврежден или срок его службы полностью завершился. Батарейный картридж может взорваться в огне.
8. Будьте внимательны, чтобы не уронить и не ударить батарею.
9. Не используйте поврежденную батарею.
10. Следуйте местным постановлениям, касающимся утилизации батареи.

## Советы для достижения максимального срока службы батареи

1. Заряжайте батарейный картридж до того, как он полностью разрядится. Всегда прекращайте эксплуатацию осветительного прибора и заряжайте батарейный картридж, когда Вы заметите уменьшение мощности осветительного прибора.
2. Никогда не заряжайте повторно полностью заряженный батарейный картридж. Чрезмерная зарядка сокращает срок службы батареи.
3. Заряжайте батарейный картридж при комнатной температуре в пределах 10°C – 40°C. Перед зарядкой горячего батарейного картриджа дайте ему охладиться.
4. Заряжайте батарейный картридж один раз каждые шесть месяцев, если Вы не используете его в течение длительного периода времени.

## Сохраните все предостережения и инструкции для дальнейшего использования.

### СБОРКА

#### ⚠ ПРЕДУПРЕЖДЕНИЕ:

- Следует всегда быть уверенным, что осветительный прибор выключен, отсоединен от сети, а батарейный картридж удален, перед выполнением любой работы с осветительным прибором.

#### Сборка рамы и основания (Рис. 1)

Собирайте прожектор следующим образом:

1. Удалите винты.
2. Вставьте ножки рамы в основание.
3. Совместите отверстия рамы и основания.
4. Закрепите их с помощью винтов.

### ОПИСАНИЕ ФУНКЦИОНИРОВАНИЯ

#### ⚠ ПРЕДУПРЕЖДЕНИЕ:

- Следует всегда быть уверенным, что осветительный прибор выключен, отсоединен от сети, а батарейный картридж удален перед настройкой или проверкой функционирования осветительного прибора.

#### Использование с батареей:

##### Установка или удаление батарейного картриджа

#### ⚠ ПРЕДУПРЕЖДЕНИЕ:

- Перед установкой или удалением батарейного картриджа обязательно выключайте осветительный прибор и отсоедините его от сети.
- **Крепко держите осветительный прибор и батарейный картридж при установке или удалении батарейного картриджа.** Если держать осветительный прибор и батарейный картридж не крепко, это может привести к тому, что они выскользнут из Ваших рук и приведут к повреждению осветительного прибора и батарейного картриджа и к травме.

Чтобы установить батарейный картридж, высвободите блокировку крышки и откройте крышку батареи. Затем вставьте батарейный картридж. Совместите язычок на батарейном картридже с канавкой на корпусе и задвиньте его на место. Вставьте его до упора, пока он не зафиксируется на месте с небольшим щелчком. Затем закройте крышку батареи. (Рис. 2)

Чтобы удалить батарейный картридж, выдвиньте его из осветительного прибора, сдвигая кнопку на передней стороне картриджа.

#### ⚠ ПРЕДУПРЕЖДЕНИЕ:

- Обязательно установите батарейный картридж полностью на место. В противном случае, он может случайно выпасть из осветительного прибора, что может привести к получению травмы Вами или кем-нибудь поблизости.
- Не устанавливайте батарейный картридж, прилагая к нему силу. Если картридж не задвигается без усилия, то его установка выполняется неправильно.

#### Использование с питанием от переменного тока:

Подсоедините штепсельную вилку к сетевому источнику питания. (Рис. 3)

#### Включение светодиодной лампы (Рис. 4)

Нажмите переключатель один раз, лампа загорается ярко (сильный режим). Нажмите переключатель еще раз, лампа загорается умеренно (слабый режим). Для выключения лампы нажмите переключатель еще раз.

#### Система защиты батареи (Рис. 5)

Осветительный прибор оснащен системой защиты батареи для продления срока службы батареи.

Когда батарея разряжается, светодиодные лампы гаснут все кроме одной (которая находится в центре на второй линии). Затем примерно через пять-десять минут система автоматически отключает питание.

### ЭКСПЛУАТАЦИЯ

#### ⚠ ПРЕДУПРЕЖДЕНИЕ:

- Этот прожектор предназначен для использования на полевых работах. Не используйте прожектор для бытовых нужд.
- Всегда размещайте осветительный прибор на ровном и устойчивом месте. В противном случае он может упасть.

#### Регулировка угла прожектора (Рис. 6)

Ослабьте ручки с обеих сторон. Отрегулируйте угол прожектора. Затем снова закрепите ручки.

#### Использование со штативом или тисками (дополнительные принадлежности) (Рис. 7)

#### ⚠ ПРЕДУПРЕЖДЕНИЕ:

- Внимательно прочитайте инструкции по эксплуатации принадлежностей перед тем, как использовать их с прожектором.
- При использовании штатива или тисков общая длина не должна превышать 1,75 м.

Вы можете поставить прожектор на штатив или тиски, чтобы облегчить эксплуатацию.

### ТЕХНИЧЕСКОЕ ОБСЛУЖИВАНИЕ

#### ⚠ ПРЕДУПРЕЖДЕНИЕ:

- Следует всегда быть уверенным, что осветительный прибор выключен, отсоединен от сети, а батарейный картридж удален, перед выполнением проверки или техническим обслуживанием.
- Ни в коем случае не используйте бензин, бензолин, растворители, спирт и подобные вещества. Это может привести к обесцвечиванию, деформации или появлению трещин.

Пользователь может выполнять только такие работы по техническому обслуживанию, которые описаны в этой инструкции по эксплуатации. Все прочие работы должны выполняться в уполномоченных центрах по техническому обслуживанию Makita.

### **Очищение**

Время от времени протирайте внешние части (корпус осветительного прибора) осветительного прибора с помощью ткани, смоченной в мыльной воде.

Для БЕЗОПАСНОЙ и НАДЕЖНОЙ эксплуатации изделия ремонт, любое другое техническое обслуживание или регулировка должны проводиться в уполномоченных центрах по техобслуживанию Makita, всегда используя запасные части Makita.

## **ДОПОЛНИТЕЛЬНЫЕ ПРИНАДЛЕЖНОСТИ**

### **ПРЕДУПРЕЖДЕНИЕ:**

- Эти принадлежности или приспособления рекомендуются для использования с Вашим осветительным прибором Makita, указанным в этом руководстве. Использование любых других принадлежностей или приспособлений может привести к травме. Используйте принадлежности или приспособления только для указанных целей.

Если Вам необходима какая-либо помощь относительно дальнейших подробностей об этих принадлежностях, обращайтесь в Ваш местный центр по техобслуживанию Makita.

- Оригинальная батарея и зарядное устройство Makita
- Штатив
- Тиски
- Антибликовая пленка

### **ПРИМЕЧАНИЕ:**

- Некоторые пункты в списке могут быть включены в комплект поставки осветительного прибора как стандартные принадлежности. Они могут различаться в зависимости от страны.



**Пояснення до загального вигляду**

1 Рама	5 Кришка батарейного відсіку	8 Перемикач
2 Основа	6 Батарейний картридж	9 Ручка
3 Гвинт	7 Вилка (форма може відрізнятися в залежності від країни)	
4 Фіксатор кришки		






**ТЕХНІЧНІ ХАРАКТЕРИСТИКИ**

Модель	DML805			
Світлодіоди	20 x 0,6 W			
Час роботи* (із батареєю BL1830)	(Приблизно) Висока потужність: 5 годин / Низька потужність: 10 годин			
Джерело живлення	220 – 240 В 50 – 60 Гц змінного струму або 14,4 В / 18 В постійного струму			
Стандартний батарейний картридж	BL1415 / BL1415N	BL1430 / BL1440 / BL1450	BL1815 / BL1815N / BL1820	BL1830 / BL1840 / BL1850
Напруга (під час дії від батареї)	14,4 В		18 В	
Розміри (Д x Ш x В)	214 мм x 261 мм x 328 мм			
Вага нетто	2,3 кг	2,5 кг	2,4 кг	2,6 кг
Область завдання тиску (скло лампи)	0,0195 м²			

- Зважаючи на нашу постійну програму досліджень та розробок, наведені тут технічні характеристики можуть бути змінені без попереднього повідомлення про це.
- Технічні характеристики та характеристики акумулятора можуть відрізнятися залежно від країни.
- Вага, разом із батарейним картриджем відповідає стандартам ЕРТА від 01/2003
- \* Це значення є приблизним. Воно може змінюватися залежно від умов та стану батареї.

**Символи**

Нижче наводяться символи, які можна знайти на цьому обладнанні. Перш ніж користуватися пристроєм, вам слід із ними ознайомитися.

-  • Читайте інструкцію з експлуатації
-  • Лише для використання у приміщенні
-  • Лише для країн ЄС  
Не викидайте електричне обладнання або акумуляторну батарею разом з побутовим сміттям!  
Згідно з Європейськими директивами щодо відпрацьованого електричного та електронного обладнання, батарей та акумуляторів, а також відпрацьованих батарей та акумуляторів та їх втіленням відповідно до національного законодавства електричне обладнання та акумуляторні блоки, які досягли кінця терміну експлуатації, потрібно збирати окремо та передавати до пунктів екологічно чистої переробки.
-  • ПОДВІЙНА ІЗОЛЯЦІЯ
-  • Оптичне випромінювання (ультрафіолетове та інфрачервоне).  
Зведіть до мінімуму контакт із очима та шкірою.



- Не дивіться на працюючу лампу.



- Використовуйте належний захист або засоби захисту органів зору.



- Джерело світла, що міститься у цьому освітлювальному пристрої, слід замінювати лише в авторизованому сервісному центрі.



- Будьте особливо уважні та обережні!

**ВАЖЛИВІ ІНСТРУКЦІЇ З ТЕХНІКИ БЕЗПЕКИ**

**⚠ ПОПЕРЕДЖЕННЯ:** Під час використання освітлювальних пристроїв завжди дотримуйтеся основних заходів безпеки, щоб знизити ризик виникнення пожежі, враження електричним струмом або травмування:

**ПРОЧИТАЙТЕ ВСІ ІНСТРУКЦІЇ.**

**⚠ УВАГА:**

1. Коли освітлювальний пристрій не використовується, завжди вимикайте його та виймайте/знімайте з нього батарейний картридж.
2. Не накривайте та не блокуйте увімкнений освітлювальний пристрій тканиною або картоном тощо. Закривання чи блокування інструменту може призвести до пожежі.
3. Не використовуйте освітлювальний пристрій в умовах з високою вологістю та коли мокро. Не залишайте освітлювальний пристрій під дощем або снігом. Не мийте його у воді.

4. Не користуйтеся освітлювальним пристроєм у вибухонебезпечному середовищі, як-от за наявності займистих рідин, газів або пилу.
5. Вилка освітлювального пристрою має відповідати розетці. Ніколи жодним чином не змінюйте вилку. Не використовуйте жодні перехідні вилки із заземленими освітлювальними пристроями. Використання не видозмінених вилок та відповідних розеток дозволяє зменшити ризик ураження електричним струмом.
6. Не торкайтеся поверхню заземлення, таких як труби, батареї, стени та холодильники. Якщо ваше тіло заземлене, існує підвищений ризик ураження електричним струмом.
7. Бережіть шнур від ушкоджень. Ніколи не використовуйте шнур, щоб переносити, тягнути або вимикати освітлювальний пристрій з розетки. Не підносьте шнур до джерел тепла, масла, гострих країв та рухомих деталей. Пошкодження або перекручування шнуру створює підвищений ризик ураження електричним струмом.
8. Якщо зовнішній гнучкий кабель або шнур даного освітлювального пристрою пошкоджено, для запобігання небезпеки замінійте його лише в авторизованому сервісному центрі.
9. Не дивіться безпосередньо на світлодіодну лампу або джерело світла.

Дану лампу віднесено до групи ризику 1.

- a) Лампа чи лампова система за межами групи виключення; ризики для глядачів залежать від способу встановлення та використання даного виробу користувачами.
- b) Найбільш обмежувальна небезпека оптичного випромінювання та інші небезпеки оптичного випромінювання за межами групи виключення.
- c) Належне збирання, встановлення, догляд та безпечно використання, включно із чіткими попередженнями щодо заходів безпеки, необхідних для уникання можливого впливу небезпечного оптичного випромінювання.
- d) Поради щодо безпечних процедур експлуатації та попередження щодо обґрунтовано прогнозованих некомпетентних дій, несправностей та небезпечних поломок.
- e) **ПОВІДОМЛЕННЯ:** Даний виріб випромінює ультрафіолет та інфрачервоне світло.
- f) **ПОПЕРЕДЖЕННЯ:** Інфрачервоне світло, що випромінює даний виріб.
- g) **УВАГА:** Даний виріб може здійснювати небезпечно оптичне випромінювання.
- h) Зведіть до мінімуму контакт із очами та шкірою. Використовуйте належний захист.
- i) Використовуйте належний захист або засоби захисту органів зору.
- j) Не дивіться на працюючу лампу. Це може нашкодити очам.
- k) Випромінювання може викликати подразнення очей або шкіри. Запобігайте контакту із очами.

#### **Використання батареї освітлювального пристрою та догляд за нею**

1. Для перезаряджання використовуйте лише зарядний пристрій, зазначений виробником. Зарядний пристрій, призначений для батарейного картриджа одного типу, може призвести до виникнення пожежі при використанні із батарейним картриджем іншого типу.

2. Використовуйте із освітлювальними пристроями лише спеціально призначені для них батарейні картриджі. Використання будь-яких інших батарейних картриджів може призвести до травмування та пожежі.
3. Коли батарейний картридж не використовується, тримайте його подалі від інших металевих предметів, як-от скріпки, монети, ключі, цвяхи, гвинти та інші маленькі металеві предмети, що можуть з'єднати клеми батареї. Замикання клем батареї може призвести до опіків або пожежі.
4. У разі пошкодження батареї з неї може вилитися рідина — уникайте контакту із нею. У разі випадкового контакту промийте водою. Якщо рідина потрапить у очі, зверніться за медичною допомогою. Рідина, що витікає із батареї, може спричинити подразнення чи опіки.

#### **ВАЖЛИВІ ІНСТРУКЦІ З ТЕХНІКИ БЕЗПЕКИ ДЛЯ БАТАРЕЙНОГО КАРТРИДЖУ**

1. Перш ніж користуватися батарейним картриджем, прочитайте усі інструкції та застереження на (1) зарядному пристрої, (2) батареї та (3) виробі, у якому застосовується батарея.
2. Не розбирайте батарейний картридж.
3. Якщо час роботи надзвичайно швидко скорочується, негайно припиніть користуватися виробом. Інакше можливе перегрівання, отримання опіків та навіть вибух.
4. Якщо електроліт потрапив у очі, промийте їх чистою водою та негайно зверніться за медичною допомогою. Інакше можлива втрата зору.
5. Не закорочуйте батарейний картридж:
  - (1) Не торкайтеся клем електропровідними матеріалами.
  - (2) Не зберігайте батарейний картридж разом з металевими предметами, як-от цвяхи, монети тощо.
  - (3) Захищайте батарейний картридж від води та дощу.
 Замикання акумулятора може призводити до створення струму значної сили, перегрівання, ризику отримання опіків та навіть поломки виробу.
6. Не зберігайте освітлювальний пристрій та батарейний картридж у місцях, де температура може досягати або перевищувати 50°C.
7. Не спалюйте батарейний картридж, навіть якщо його сильно пошкоджено чи повністю зношено. Батарейний картридж може вибухнути у вогні.
8. Слідкуйте, щоб акумулятор не падав та не ударявся.
9. Не використовуйте пошкоджену батарею.
10. Дотримуйтеся місцевих правил утилізації батарей.

#### **Рекомендації щодо забезпечення максимального терміну служби батареї**

1. Заряджайте батарейний картридж до того, як його буде повністю розряджено. Завжди припиняйте використання освітлювального пристрою і заряджайте батарейний картридж, коли помічаєте зменшення потужності.
2. Ніколи не перезаряджайте повністю заряджений батарейний картридж. Надмірне заряджання скорочує термін служби батареї.

- Заряджайте батарейний картридж при температури у приміщенні в межах 10°C – 40°C. Перш ніж заряджати батарейний картридж, почекайте, доки він повністю не охолоне.
- Заряджайте батарейний картридж кожні півроку, якщо інструмент не використовується протягом значного часу.

### **Збережіть усі застереження та інструкції для подальшого використання.**

#### **МОНТАЖ**

##### **⚠ УВАГА:**

- Перш ніж проводити будь-які роботи із освітлювальним пристроєм, обов'язково вимикайте його, відключайте від розетки та виймайте батарейний картридж.

#### **Збирання рами та основи (Мал. 1)**

Збирайте світильник відповідно до інструкцій нижче:

- Викрутіть гвинти.
- Вставте ніжки рами в основу.
- Сумістіть отвори рами та основи.
- Закріпіть за допомогою гвинтів.

#### **ОПИС ФУНКЦІОНУВАННЯ**

##### **⚠ УВАГА:**

- Перш ніж коригувати або перевіряти роботу освітлювального пристрою, обов'язково вимикайте його, відключайте від розетки та виймайте батарейний картридж.

#### **Використання із батареєю:**

#### **Встановлення або знімання батарейного картриджа**

##### **⚠ УВАГА:**

- Завжди вимикайте освітлювальний пристрій та відключайте від розетки, перш ніж встановлювати або знімати батарейний картридж.
- Міцно тримайте освітлювальний пристрій і батарейний картридж, коли встановлюєте або знімаєте батарейний картридж. Якщо освітлювальний пристрій та батарейний картридж не тримати міцно, вони можуть випасти із рук, що може призвести до пошкодження освітлювального пристрою і батарейного картриджа та травмування.

Для встановлення батарейного картриджа зніміть фіксатор кришки і відкрийте кришку батарейного відсіку. Тепер вставте батарейний картридж. Сумістіть язичок на батарейному картриджі із пазом у корпусі та вставте. Вставте повністю до фіксації, поки не почуєте легке клацання. Потім закрийте кришку батарейного відсіку. (Мал. 2)

Щоб зняти батарейний картридж, посуňte кнопку спереду картриджа і зсуньте картридж з освітлювального пристрою.

##### **⚠ УВАГА:**

- Завжди встановлюйте батарейний картридж повністю. Інакше він може випадково випасти з освітлювального пристрою і травмувати вас або когось іншого поблизу.
- Не встановлюйте батарейний картридж із силою. Якщо картридж не встановлюється із легкістю, значить він вставляється неправильно.

#### **Робота від мережі змінного струму:**

Підключіть вилку до джерела живлення. (Мал. 3)

#### **Увімкнення світлодіодної лампи (Мал. 4)**

Натисніть перемикач один раз, і лампа почне світити яскраво (режим високої потужності). Натисніть перемикач знову, і лампа почне світити помірно (режим низької потужності). Щоб вимкнути лампу, натисніть перемикач знову.

#### **Система захисту батареї (Мал. 5)**

Даний освітлювальний пристрій обладнано системою захисту батареї для подовження терміну служби батареї.

Коли рівень заряду батареї стає низьким, вимикаються усі світлодіоди, за винятком одного (по центру другого ряду). Потім, приблизно через п'ять чи десять хвилин, система автоматично вимикає живлення.

#### **ЕКСПЛУАТАЦІЯ**

##### **⚠ УВАГА:**

- Даний світильник призначено для польових робіт. Не використовуйте світильник у побуті.
- Завжди ставте освітлювальний пристрій на рівну та стійку поверхню. Інакше він може впасти і завдати травму.

#### **Коригування кута світильника (Мал. 6)**

Послабте ручки з обох боків. Скоригуйте кут світильника. Потім знову затягніть ручки.

#### **Використання штатива або тримача (додаткові аксесуари) (Мал. 7)**

##### **⚠ УВАГА:**

- Уважно читайте інструкції з експлуатації аксесуарів, перш ніж використовувати їх зі світильником.
- У разі використання штатива або тримача загальна висота не повинна перевищувати 1,75 м.

Світильник можна встановити на штатив або тримач для полегшення використання.

#### **ДОГЛЯД**

##### **⚠ УВАГА:**

- Перш ніж перевіряти або здійснювати догляд освітлювального пристрою, обов'язково вимикайте його, відключайте від розетки та виймайте батарейний картридж.
- Не використовуйте бензин, розчинник, спирт тощо. Нехтування цією вимогою може призвести до знебарвлення, деформації чи тріщин.

Користувачу дозволяється здійснювати лише ті операції із догляду, що описані у даній інструкції з експлуатації. Усі інші роботи повинні виконуватися в авторизованих сервісних центрах Makita.

#### **Очищення**

Час від часу протирайте зовнішні поверхні (корпус) освітлювального пристрою ганчіркою, змоченою у мильній воді.

Для забезпечення БЕЗПЕКИ та НАДІЙНОСТІ виробу ремонт та будь-які інші роботи із догляду або регулювання мають виконуватися в авторизованих сервісних центрах Makita; також треба завжди користуватися запасними деталями Makita.

## ДОДАТКОВІ АКСЕСУАРИ

### УВАГА:

- Дані аксесуари або насадки рекомендовані для використання із вашим освітлювальним пристроєм Makita, описаним у цій інструкції. Використання будь-яких інших аксесуарів або насадок може призвести до отримання травми. Використовуйте аксесуари або насадки лише за призначенням.

Якщо потрібна будь-яка допомога в отриманні інформації про дані аксесуари, зверніться до місцевого сервісного центру Makita.

- Оригінальні батарея та зарядний пристрій Makita
- Штатив
- Тримач
- Антиблікова плівка

### ПРИМІТКА:

- Деякі з позицій списку можуть надаватися у комплекті з освітлювальним пристроєм як стандартні аксесуари. Вони можуть відрізнятися в залежності від країни.

**Makita** Jan-Baptist Vinkstraat 2, 3070, Belgium  
**Makita Corporation** Anjo, Aichi, Japan